

GRACE FULL LOW PROFILE BED

OWNER'S MANUAL

VENDOR ITEM NO. :

PNRAL4BH / PNRAL4FS / PNRAL4RL - SNOWFALL

PNRBL4BH / PNRBL4FS / PNRBL4RL - RAVEN

PNRCL4BH / PNRCL4FS / PNRCL4RL - DARK MOCHA

PNKXL4BH / PNKXL4FS / PNKXL4RL - BLUEBERRY

PNKGL4BH / PNKGL4FS / PNKGL4RL - ELEPHANT GREY



ASSEMBLY PARTS LIST

BOX 1 - HEADBOARD

(SKU PNRAL4BH/PNRBL4BH/PNRCL4BH/PNKXL4BH/PNKGL4BH)

PART NO.	IMAGE	DESCRIPTION	QUANTITY
A		HEADBOARD PANEL	1
B		LEFT HEADBOARD LEG	1
C		RIGHT HEADBOARD LEG	1

HEADBOARD HARDWARE KIT PACKED IN BOX 1

1		ALLEN BOLT (6X35mm)	8
2		SPRING WASHER (M6)	8
3		FLAT WASHER (M6)	8
4		ALLEN KEY	1

BOX 2 - FOOTBOARD-SLATS

(SKU PNRAL4FS/PNRBL4FS/PNRCL4FS/PNKXL4FS/PNKGL4FS)

PART NO.	IMAGE	DESCRIPTION	QUANTITY
D		FOOTBOARD	1
E		BED SLAT	5
F		SUPPORT LEG	5

BED HARDWARE KIT PACKED IN BOX 2

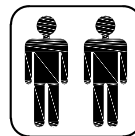
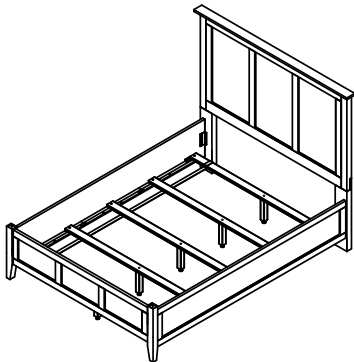
5		PAN HEAD SCREW (6X15mm)	13
6		WOOD SCREW (8x30mm)	11
7		ALLEN KEY	1
8		ALLEN BOLT (6X40mm)	6

BOX 3 - SIDE RAILS

(SKU PNRAL4RL/PNRBL4RL/PNRCL4RL/PNKXL4RL/PNKGL4RL)

G		SIDE RAIL	2
---	--	-----------	---

GRACE LOW PROFILE BED FULLY ASSEMBLED



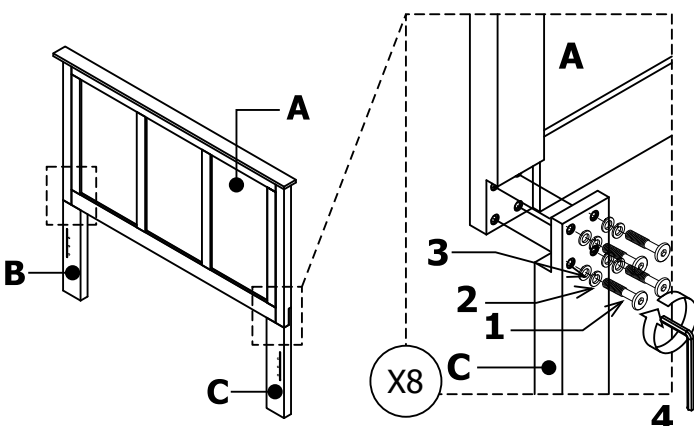
NOT PROVIDED

ASSEMBLE ON A SOFT SURFACE

ASSEMBLY INSTRUCTIONS

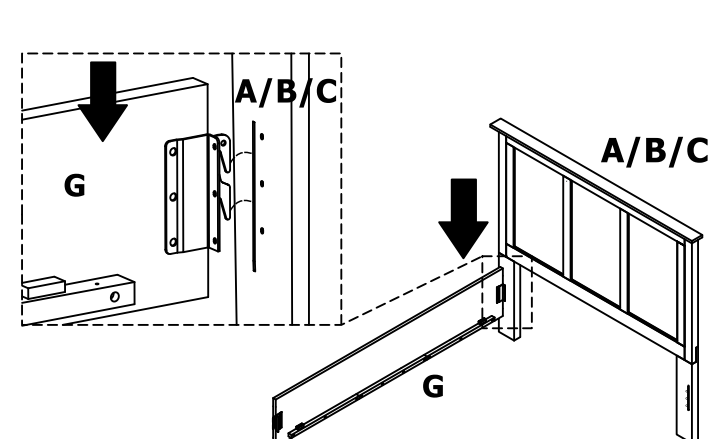
STEP 1 :

USE HEADBOARD HARDWARE PACKED IN BOX 1 FOR STEP 1.



STEP 2 :

USE HARDWARE PACKED IN BOX 2 FOR STEP 2 AND ALL REMAINING STEPS.



UPDATED : MAY 3RD, 2023

GRACE FULL LOW PROFILE BED

OWNER'S MANUAL

VENDOR ITEM NO. :

PNRAL4BH / PNRAL4FS / PNRAL4RL - SNOWFALL

PNRBL4BH / PNRBL4FS / PNRBL4RL - RAVEN

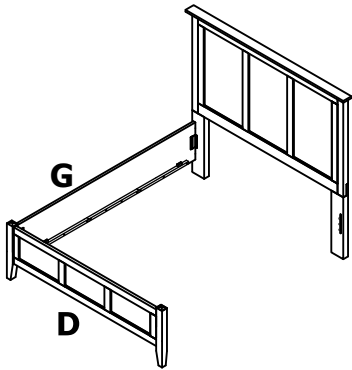
PNRCL4BH / PNRCL4FS / PNRCL4RL - DARK MOCHA

PNKXL4BH / PNKXL4FS / PNKXL4RL - BLUEBERRY

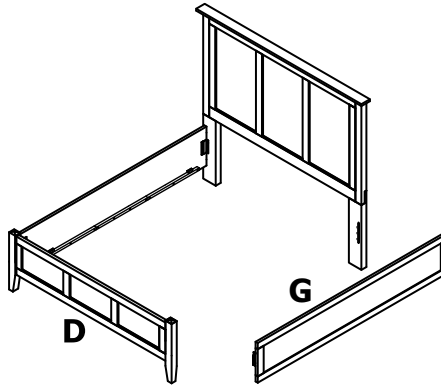
PNKGL4BH / PNKGL4FS / PNKGL4RL - ELEPHANT GREY



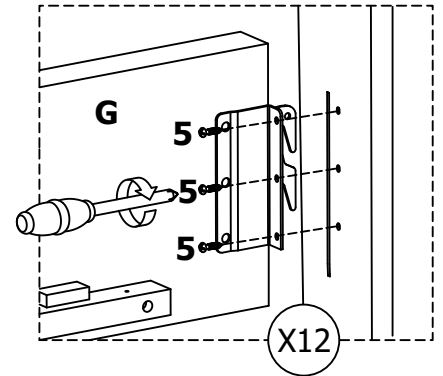
STEP 3 :



STEP 4 :



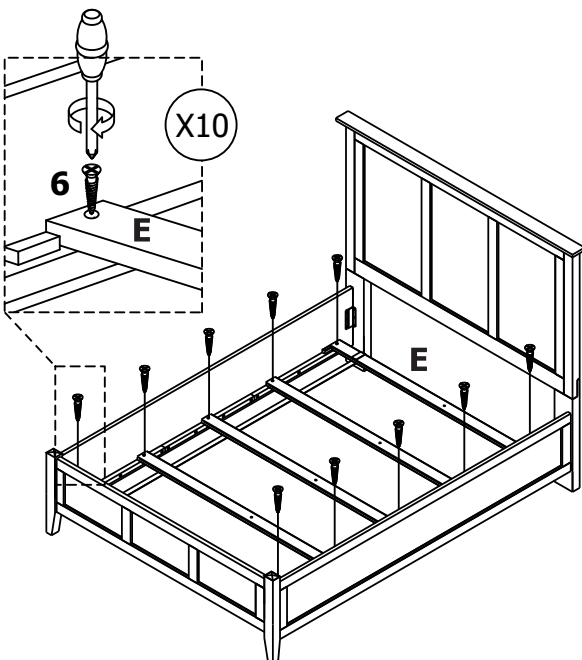
STEP 5 :



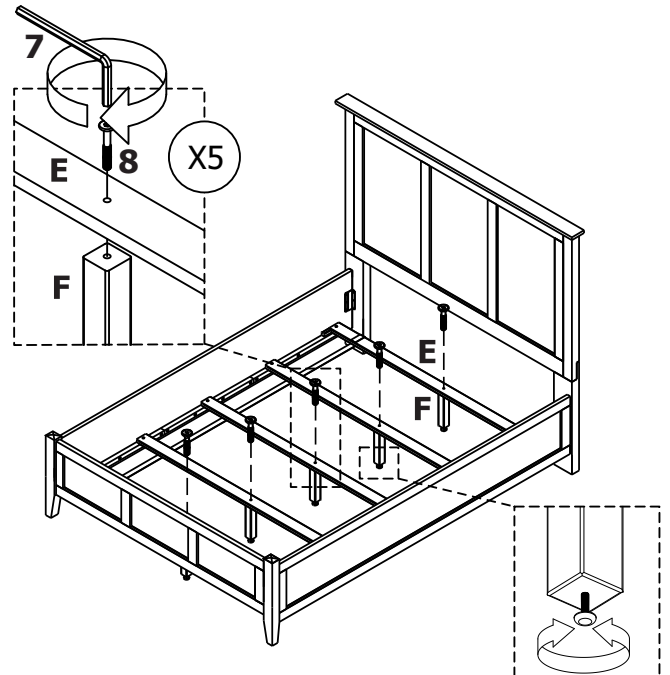
STOP

- IF USING BED FRAME WITH ADJUSTABLE MATTRESS BASE, SKIP TO APPENDIX A: ADJUSTABLE MATTRESS BASE ASSEMBLY SUPPLEMENT.
- IF USING BED FRAME WITH STANDARD BOX SPRING OR FOUNDATION CONTINUE TO STEP 6.

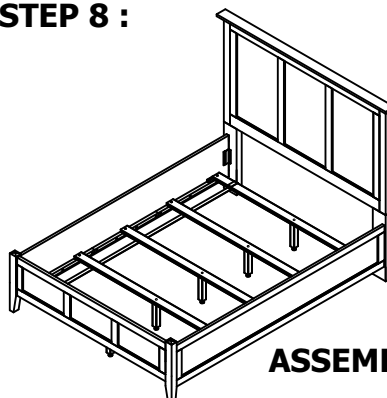
STEP 6 :



STEP 7 :



STEP 8 :



ASSEMBLY COMPLETE

UPDATED : MAY 3RD, 2023

GRACE FULL LOW PROFILE BED

OWNER'S MANUAL

VENDOR ITEM NO. :

PNRAL4BH / PNRAL4FS / PNRAL4RL - SNOWFALL

PNRBL4BH / PNRBL4FS / PNRBL4RL - RAVEN

PNRCL4BH / PNRCL4FS / PNRCL4RL - DARK MOCHA





PNKXL4BH / PNKXL4FS / PNKXL4RL - BLUEBERRY

PNKGL4BH / PNKGL4FS / PNKGL4RL - ELEPHANT GREY



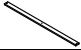



REPLACEABLE PARTS LIST




HEADBOARD - SNOWFALL, RAVEN, DARK MOCHA, BLUEBERRY, ELEPHANT GREY

DESCRIPTION	IMAGE	SKU
BOX 1 HARDWARE KIT		PNZZBPHWHB
FOOT CAP		PNZZCPFC
HEADBOARD LEFT LEG		PNRABPHBLL (Snowfall), PNRBBPHBLL (Raven), PNRCBPHBLL (Dark Mocha) PNKXBPHBLL (Blueberry), PNKGBPHBLL (Elephant Grey)
HEADBOARD RIGHT LEG		PNRABPHBLR (Snowfall), PNRBBPHBLR (Raven), PNRCBPHBLR (Dark Mocha) PNKXBPHBLR (Blueberry), PNKGBPHBLR (Elephant Grey)

FOOTBOARD/SLATS - SNOWFALL, RAVEN, DARK MOCHA, BLUEBERRY, ELEPHANT GREY

DESCRIPTION	IMAGE	SKU
BOX 2 HARDWARE KIT		PNZZBPHWLPFQ
FOOT CAP		PNZZCPFC
INDIVIDUAL SLAT		PNZZBPSL4
SUPPORT LEG		PNRABPLSLP (Snowfall), PNRBBPLSLP (Raven), PNRCBPLSLP (Dark Mocha) PNKXBPLSLP (Blueberry), PNKGBPLSLP (Elephant Grey)

SIDE RAILS - SNOWFALL, RAVEN, DARK MOCHA, BLUEBERRY, ELEPHANT GREY

DESCRIPTION	IMAGE	SKU
SIDE RAIL BRACKET SET/2		RPZZBPLBG
SIDE RAIL CLEAT		PNRABPSRCF (Snowfall), PNRBBPSRCF (Raven), PNRCBPSRCF (Dark Mocha) PNKXBPSRCF (Blueberry), PNKGBPSRCF (Elephant Grey)
SIDE RAIL CLEAT BOLT		RPZZBPSRCB

GRACE FULL LOW PROFILE BED

OWNER'S MANUAL

VENDOR ITEM NO. :

PNRAL4BH / PNRAL4FS / PNRAL4RL - SNOWFALL

PNRBL4BH / PNRBL4FS / PNRBL4RL - RAVEN

PNRCL4BH / PNRCL4FS / PNRCL4RL - DARK MOCHA

PNKXL4BH / PNKXL4FS / PNKXL4RL - BLUEBERRY

PNKGL4BH / PNKGL4FS / PNKGL4RL - ELEPHANT GREY



WARNING:

- Maximum distributed load capacity: 700 lbs.
- Standing or jumping on this product may result in damage or injury.

ROUTINE MAINTENANCE:

Periodically check that support legs are in place and are applying equal upward pressure on the bed frame. To adjust support legs, turn levelers counterclockwise to extend, clockwise to retract.

Periodically check all fittings and tighten if necessary, as they can loosen over time.

Always remove box spring and mattress before moving the bed. Lift the bed when moving it. Dragging the bed can damage the center support. Readjust levelers after moving the bed.

CARE AND CLEANING:

WOOD FURNITURE: Dust frequently with a clean, damp, lint-free cloth. Frequent dusting will remove abrasive build-up which can damage a finish over time. Avoid using oily polishes or waxes. Avoid exposing your furniture to strong sunlight. Prolonged exposure to direct sunlight can fade the finish of your furniture. Do not expose your furniture to any liquids. Never allow water to sit on your furniture. Do not place hot items on top of surface, always use a mat or other protector. Alcohol, nail polish and perfume are also dangerous, as they can dissolve the furniture finish on contact and may require professional repairs.

GRACE FULL LOW PROFILE BED

APPENDIX A: ADJUSTABLE MATTRESS BASE ASSEMBLY SUPPLEMENT



VENDOR ITEM NO. :

PNRAL4BH / PNRAL4FS / PNRAL4RL - SNOWFALL

PNRBL4BH / PNRBL4FS / PNRBL4RL - RAVEN

PNRCL4BH / PNRCL4FS / PNRCL4RL - DARK MOCHA

PNKXL4BH / PNKXL4FS / PNKXL4RL - BLUEBERRY

PNKGL4BH / PNKGL4FS / PNKGL4RL - ELEPHANT GREY

AN ADJUSTABLE MATTRESS BASE IS A FREESTANDING MATTRESS SUPPORT THAT SITS WITHIN THE PERIMETER OF THE BED FRAME.

IF USING THIS BED FRAME WITH A STANDARD BOX SPRING OR FOUNDATION THESE INSTRUCTIONS DO NOT APPLY.

PRE-ASSEMBLED SIDE RAIL CLEATS OBSTRUCT ADJUSTABLE BASE INSTALLATION AND OPERATION. FOLLOW THESE INSTRUCTIONS TO REMOVE THEM.

THE FOLLOWING PARTS ARE NOT REQUIRED FOR ADJUSTABLE MATTRESS BASE INSTALLATION:

E. BED SLAT
F. SUPPORT LEG

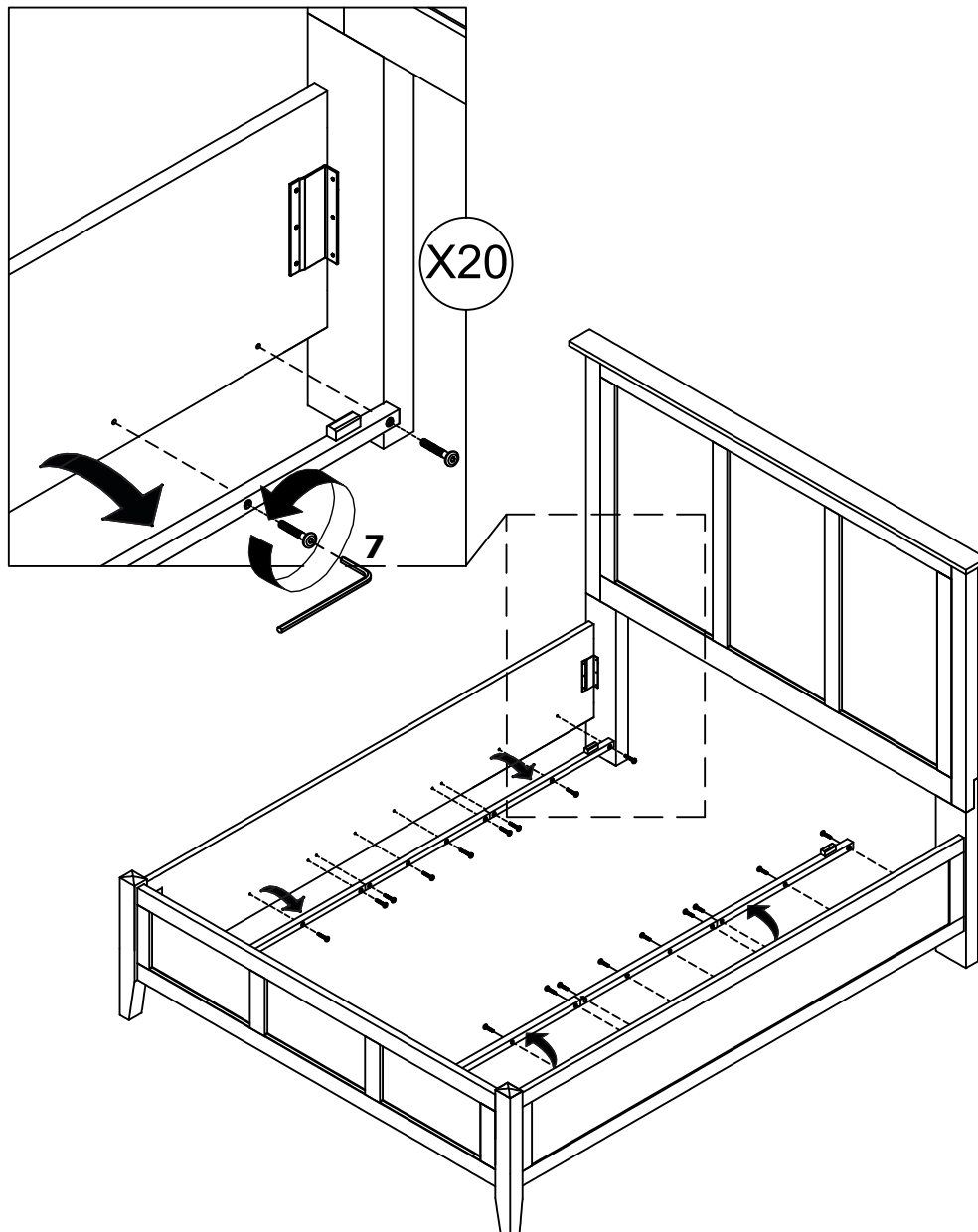
5 PCS
5 PCS

6. WOOD SCREW (8x30mm)
8. ALLEN BOLT (6x40mm)

11 PCS
6 PCS

STEP 1 :

USE ALLEN KEY (7) TO UNSCREW ALLEN BOLTS AND REMOVE PRE-ASSEMBLED SIDE RAIL CLEATS.



NOTE: YOU MAY WISH TO RETAIN UNUSED PARTS IF IN THE FUTURE YOU INTEND TO USE THE BED FRAME WITH A STANDARD BOX SPRING OR FOUNDATION.

UPDATED : MAY 3RD, 2023

GRACE QUEEN LOW PROFILE BED

OWNER'S MANUAL

VENDOR ITEM NO. :

PNRAL5BH / PNRAL5FS / PNRAL5RL - SNOWFALL

PNRBL5BH / PNRBL5FS / PNRBL5RL - RAVEN

PNRCL5BH / PNRCL5FS / PNRCL5RL - DARK MOCHA

PNKXL5BH / PNKXL5FS / PNKXL5RL - BLUEBERRY

PNKGL5BH / PNKGL5FS / PNKGL5RL - ELEPHANT GREY



ASSEMBLY PARTS LIST

BOX 1 - HEADBOARD

(SKU PNRAL5BH/PNRBL5BH/PNRCL5BH/PNKXL5BH/PNKGL5BH)

PART NO.	IMAGE	DESCRIPTION	QUANTITY
A		HEADBOARD PANEL	1
B		LEFT HEADBOARD LEG	1
C		RIGHT HEADBOARD LEG	1

HEADBOARD HARDWARE KIT PACKED IN BOX 1

1		ALLEN BOLT (6X35mm)	8
2		SPRING WASHER (M6)	8
3		FLAT WASHER (M6)	8
4		ALLEN KEY	1

BOX 2 - FOOTBOARD-SLATS

(SKU PNRAL5FS/PNRBL5FS/PNRCL5FS/PNKXL5FS/PNKGL5FS)

PART NO.	IMAGE	DESCRIPTION	QUANTITY
D		FOOTBOARD	1
E		BED SLAT	5
F		SUPPORT LEG	5

BED HARDWARE KIT PACKED IN BOX 2

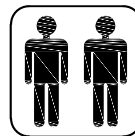
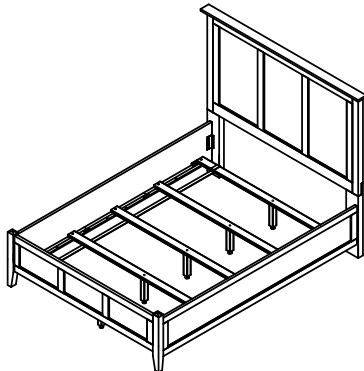
5		PAN HEAD SCREW (6X15mm)	13
6		WOOD SCREW (8x30mm)	11
7		ALLEN KEY	1
8		ALLEN BOLT (6X40mm)	6

BOX 3 - SIDE RAILS

(SKU PNRAL5RL/PNRBL5RL/PNRCL5RL/PNKXL5RL/PNKGL5RL)

G		SIDE RAIL	2
---	--	-----------	---

GRACE LOW PROFILE BED FULLY ASSEMBLED



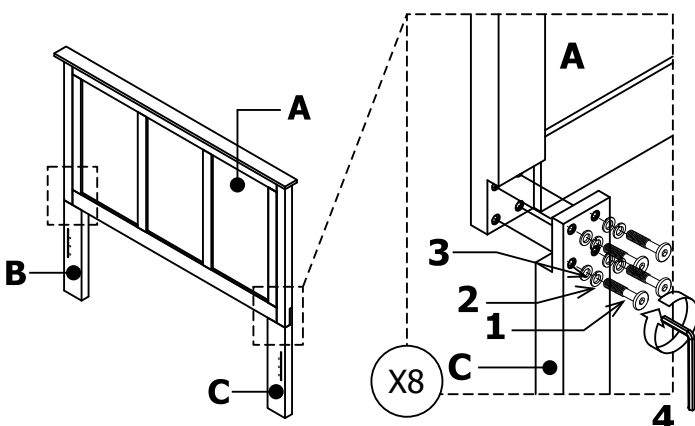
NOT PROVIDED

ASSEMBLE ON A SOFT SURFACE

ASSEMBLY INSTRUCTIONS

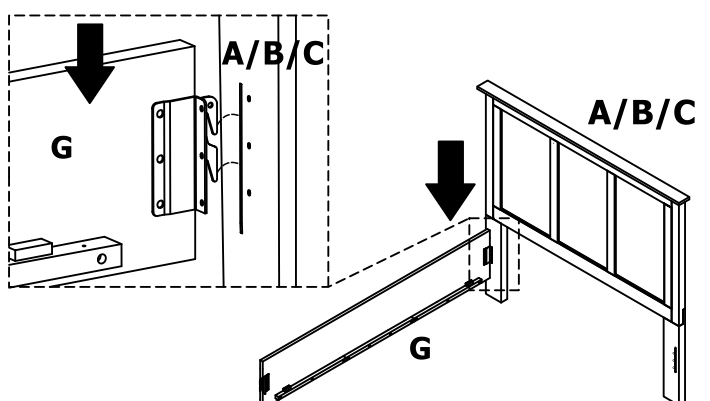
STEP 1 :

USE HEADBOARD HARDWARE PACKED IN BOX 1 FOR STEP 1.



STEP 2 :

USE HARDWARE PACKED IN BOX 2 FOR STEP 2 AND ALL REMAINING STEPS.



UPDATED : APRIL 18TH, 2023

GRACE QUEEN LOW PROFILE BED

OWNER'S MANUAL

VENDOR ITEM NO. :

PNRAL5BH / PNRAL5FS / PNRAL5RL - SNOWFALL

PNRBL5BH / PNRBL5FS / PNRBL5RL - RAVEN

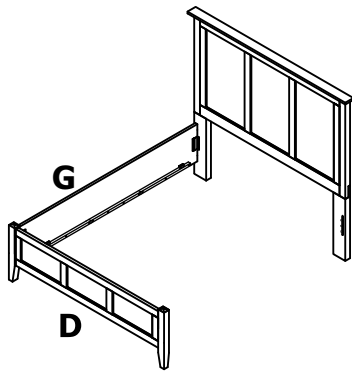
PNRCL5BH / PNRCL5FS / PNRCL5RL - DARK MOCHA

PNKXL5BH / PNKXL5FS / PNKXL5RL - BLUEBERRY

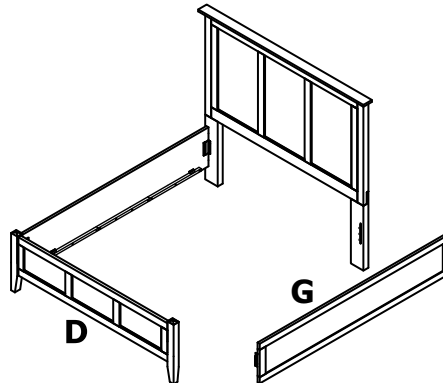
PNKGL5BH / PNKGL5FS / PNKGL5RL - ELEPHANT GREY



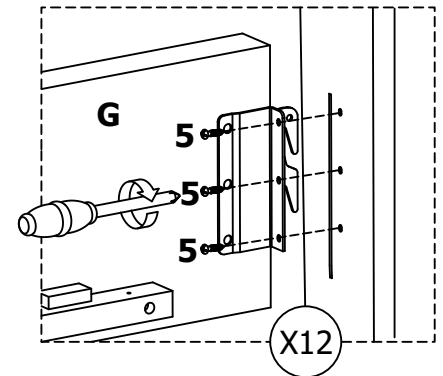
STEP 3 :



STEP 4 :



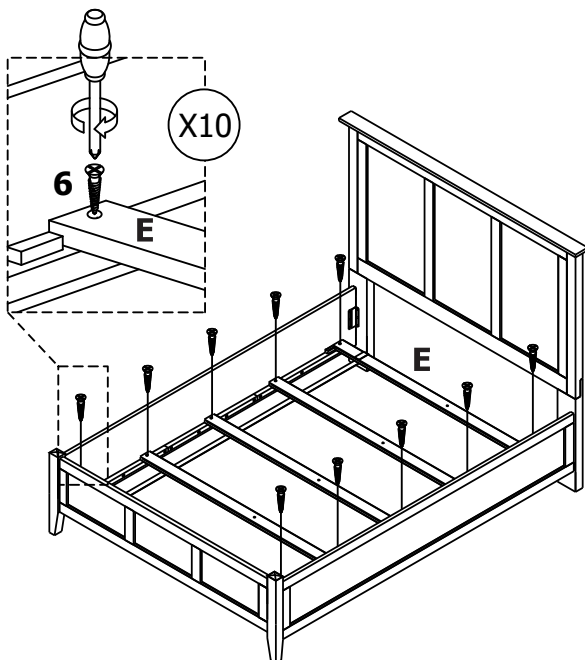
STEP 5 :



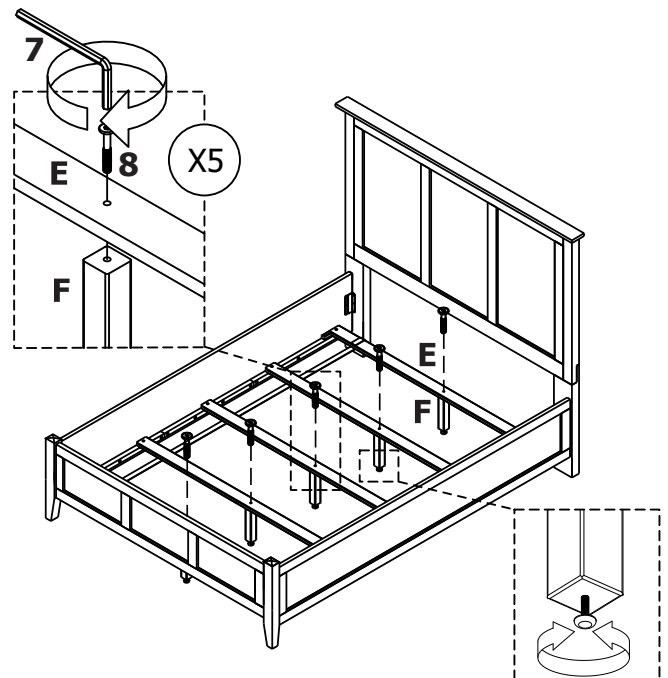
STOP

- IF USING BED FRAME WITH ADJUSTABLE MATTRESS BASE, SKIP TO APPENDIX A: ADJUSTABLE MATTRESS BASE ASSEMBLY SUPPLEMENT.
- IF USING BED FRAME WITH STANDARD BOX SPRING OR FOUNDATION CONTINUE TO STEP 6.

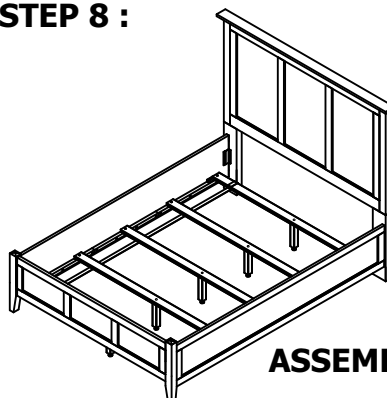
STEP 6 :



STEP 7 :



STEP 8 :



ASSEMBLY COMPLETE

GRACE QUEEN LOW PROFILE BED

OWNER'S MANUAL

VENDOR ITEM NO. :

PNRAL5BH / PNRAL5FS / PNRAL5RL - SNOWFALL

PNRBL5BH / PNRBL5FS / PNRBL5RL - RAVEN

PNRCL5BH / PNRCL5FS / PNRCL5RL - DARK MOCHA





PNKXL5BH / PNKXL5FS / PNKXL5RL - BLUEBERRY

PNKGL5BH / PNKGL5FS / PNKGL5RL - ELEPHANT GREY



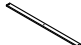



REPLACEABLE PARTS LIST




HEADBOARD - SNOWFALL, RAVEN, DARK MOCHA, BLUEBERRY, ELEPHANT GREY

DESCRIPTION	IMAGE	SKU
BOX 1 HARDWARE KIT		PNZZBPHWHB
FOOT CAP		PNZZCPFC
HEADBOARD LEFT LEG		PNRABPHBLL (Snowfall), PNRBBPHBLL (Raven), PNRCBPHBLL (Dark Mocha) PNKXBPHBLL (Blueberry), PNKGBPHBLL (Elephant Grey)
HEADBOARD RIGHT LEG		PNRABPHBLR (Snowfall), PNRBBPHBLR (Raven), PNRCBPHBLR (Dark Mocha) PNKXBPHBLR (Blueberry), PNKGBPHBLR (Elephant Grey)

FOOTBOARD/SLATS - SNOWFALL, RAVEN, DARK MOCHA, BLUEBERRY, ELEPHANT GREY

DESCRIPTION	IMAGE	SKU
BOX 2 HARDWARE KIT		PNZZBPHWLPFQ
FOOT CAP		PNZZCPFC
INDIVIDUAL SLAT		PNZZBPSL5
SUPPORT LEG		PNRABPLSLP (Snowfall), PNRBBPLSLP (Raven), PNRCBPLSLP (Dark Mocha) PNKXBPLSLP (Blueberry), PNKGBPLSLP (Elephant Grey)

SIDE RAILS - SNOWFALL, RAVEN, DARK MOCHA, BLUEBERRY, ELEPHANT GREY

DESCRIPTION	IMAGE	SKU
SIDE RAIL BRACKET SET/2		RPZZBPLBG
SIDE RAIL CLEAT		PNRABPSRCQK (Snowfall), PNRBBPSRCQK (Raven), PNRCBPSRCQK (Dark Mocha) PNKXBPSRCQK (Blueberry), PNKGBPSRCQK (Elephant Grey)
SIDE RAIL CLEAT BOLT		RPZZBPSRCB

GRACE QUEEN LOW PROFILE BED

OWNER'S MANUAL



VENDOR ITEM NO. :

PNRAL5BH / PNRAL5FS / PNRAL5RL - SNOWFALL

PNRBL5BH / PNRBL5FS / PNRBL5RL - RAVEN

PNRCL5BH / PNRCL5FS / PNRCL5RL - DARK MOCHA

PNKXL5BH / PNKXL5FS / PNKXL5RL - BLUEBERRY

PNKGL5BH / PNKGL5FS / PNKGL5RL - ELEPHANT GREY



WARNING:

- Maximum distributed load capacity: 800 lbs.
- Standing or jumping on this product may result in damage or injury.

ROUTINE MAINTENANCE:

Periodically check that support legs are in place and are applying equal upward pressure on the bed frame. To adjust support legs, turn levelers counterclockwise to extend, clockwise to retract.

Periodically check all fittings and tighten if necessary, as they can loosen over time.

Always remove box spring and mattress before moving the bed. Lift the bed when moving it. Dragging the bed can damage the center support. Readjust levelers after moving the bed.

CARE AND CLEANING:

WOOD FURNITURE: Dust frequently with a clean, damp, lint-free cloth. Frequent dusting will remove abrasive build-up which can damage a finish over time. Avoid using oily polishes or waxes. Avoid exposing your furniture to strong sunlight. Prolonged exposure to direct sunlight can fade the finish of your furniture. Do not expose your furniture to any liquids. Never allow water to sit on your furniture. Do not place hot items on top of surface, always use a mat or other protector. Alcohol, nail polish and perfume are also dangerous, as they can dissolve the furniture finish on contact and may require professional repairs.

GRACE QUEEN LOW PROFILE BED

APPENDIX A: ADJUSTABLE MATTRESS BASE ASSEMBLY SUPPLEMENT

VENDOR ITEM NO. :

PNRAL5BH / PNRAL5FS / PNRAL5RL - SNOWFALL

PNRBL5BH / PNRBL5FS / PNRBL5RL - RAVEN

PNRCL5BH / PNRCL5FS / PNRCL5RL - DARK MOCHA

PNKXL5BH / PNKXL5FS / PNKXL5RL - BLUEBERRY

PNKGL5BH / PNKGL5FS / PNKGL5RL - ELEPHANT GREY



AN ADJUSTABLE MATTRESS BASE IS A FREESTANDING MATTRESS SUPPORT THAT SITS WITHIN THE PERIMETER OF THE BED FRAME.

IF USING THIS BED FRAME WITH A STANDARD BOX SPRING OR FOUNDATION THESE INSTRUCTIONS DO NOT APPLY.

PRE-ASSEMBLED SIDE RAIL CLEATS OBSTRUCT ADJUSTABLE BASE INSTALLATION AND OPERATION. FOLLOW THESE INSTRUCTIONS TO REMOVE THEM.

THE FOLLOWING PARTS ARE NOT REQUIRED FOR ADJUSTABLE MATTRESS BASE INSTALLATION:

E. BED SLAT
F. SUPPORT LEG

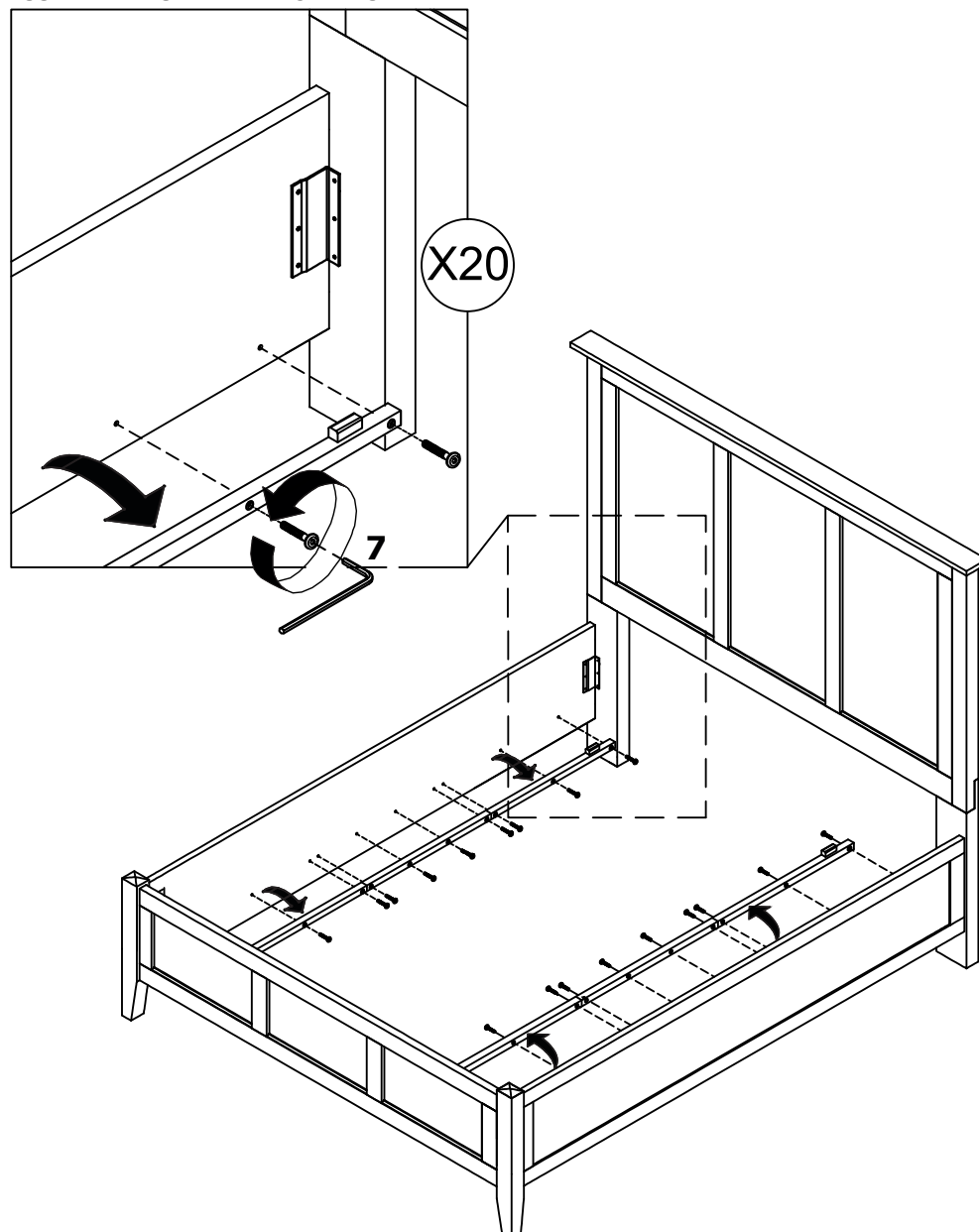
5 PCS
5 PCS

6. WOOD SCREW (8x30mm)
8. ALLEN BOLT (6x40mm)

11 PCS
6 PCS

STEP 1 :

USE ALLEN KEY (7) TO UNSCREW ALLEN BOLTS AND REMOVE PRE-ASSEMBLED SIDE RAIL CLEATS.



NOTE: YOU MAY WISH TO RETAIN UNUSED PARTS IF IN THE FUTURE YOU INTEND TO USE THE BED FRAME WITH A STANDARD BOX SPRING OR FOUNDATION.

UPDATED : APRIL 18TH, 2023

GRACE C.KING LOW PROFILE BED

OWNER'S MANUAL

VENDOR ITEM NO. :

PNRAL6BH / PNRAL6FS / PNRAL6RL - SNOWFALL

PNRBL6BH / PNRBL6FS / PNRBL6RL - RAVEN

PNRCL6BH / PNRCL6FS / PNRCL6RL - DARK MOCHA

PNKXL6BH / PNKXL6FS / PNKXL6RL - BLUEBERRY

PNKGL6BH / PNKGL6FS / PNKGL6RL - ELEPHANT GREY



ASSEMBLY PARTS LIST

BOX 1 - HEADBOARD

(SKU PNRAL6BH/PNRBL6BH/PNRCL6BH/PNKXL6BH/PNKGL6BH)

PART NO.	IMAGE	DESCRIPTION	QUANTITY
A		HEADBOARD PANEL	1
B		LEFT HEADBOARD LEG	1
C		RIGHT HEADBOARD LEG	1

HEADBOARD HARDWARE KIT PACKED IN BOX 1

1		ALLEN BOLT (6X35mm)	8
2		SPRING WASHER (M6)	8
3		FLAT WASHER (M6)	8
4		ALLEN KEY	1

BOX 2 - FOOTBOARD-SLATS

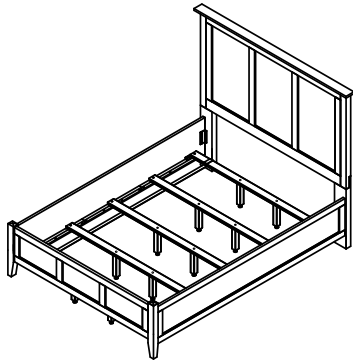
(SKU PNRAL6FS/PNRBL6FS/PNRCL6FS/PNKXL6FS/PNKGL6FS)

PART NO.	IMAGE	DESCRIPTION	QUANTITY
D		FOOTBOARD	1
E		BED SLAT	5
F		SUPPORT LEG	10

BED HARDWARE KIT PACKED IN BOX 2

5		PAN HEAD SCREW (6X15mm)	13
6		WOOD SCREW (8x30mm)	11
7		ALLEN KEY	1
8		ALLEN BOLT (6X40mm)	11

GRACE LOW PROFILE BED FULLY ASSEMBLED



BOX 3 - SIDE RAILS

(SKU PNRAL6RL/PNRBL6RL/PNRCL6RL/PNKXL6RL/PNKGL6RL)

PART NO.	IMAGE	DESCRIPTION	QUANTITY
G		SIDE RAIL	2



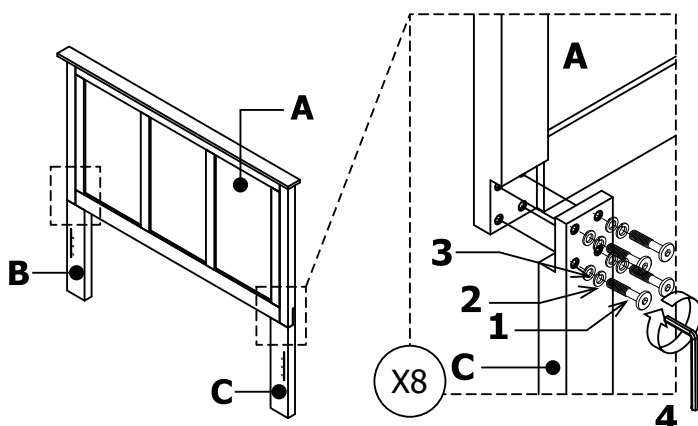
NOT PROVIDED

ASSEMBLE ON A SOFT SURFACE

ASSEMBLY INSTRUCTIONS

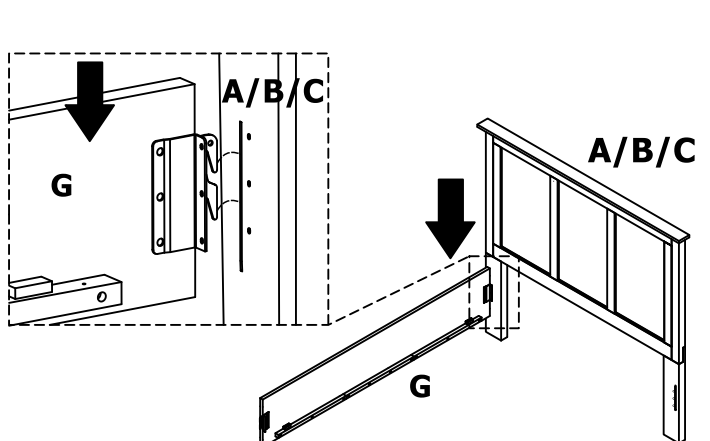
STEP 1 :

USE HEADBOARD HARDWARE PACKED IN BOX 1 FOR STEP 1.



STEP 2 :

USE HARDWARE PACKED IN BOX 2 FOR STEP 2 AND ALL REMAINING STEPS.



UPDATED : MAY 3RD, 2023

GRACE C.KING LOW PROFILE BED

OWNER'S MANUAL

VENDOR ITEM NO. :

PNRAL6BH / PNRAL6FS / PNRAL6RL - SNOWFALL

PNRBL6BH / PNRBL6FS / PNRBL6RL - RAVEN

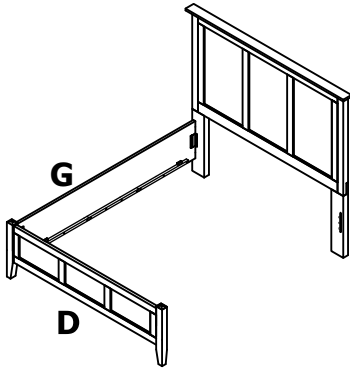
PNRCL6BH / PNRCL6FS / PNRCL6RL - DARK MOCHA

PNKXL6BH / PNKXL6FS / PNKXL6RL - BLUEBERRY

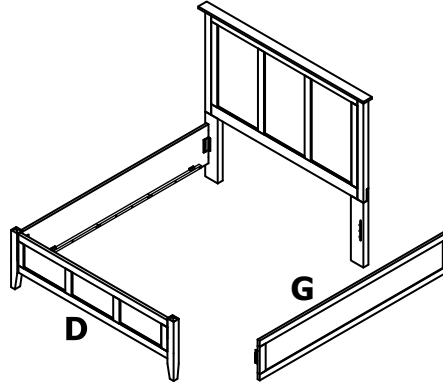
PNKGL6BH / PNKGL6FS / PNKGL6RL - ELEPHANT GREY



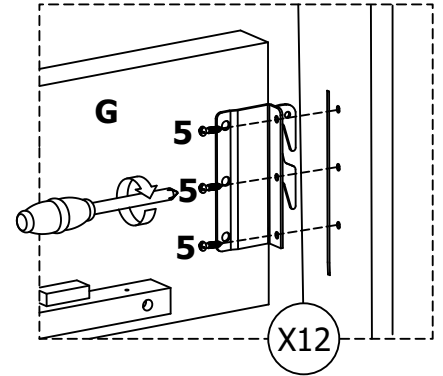
STEP 3 :



STEP 4 :



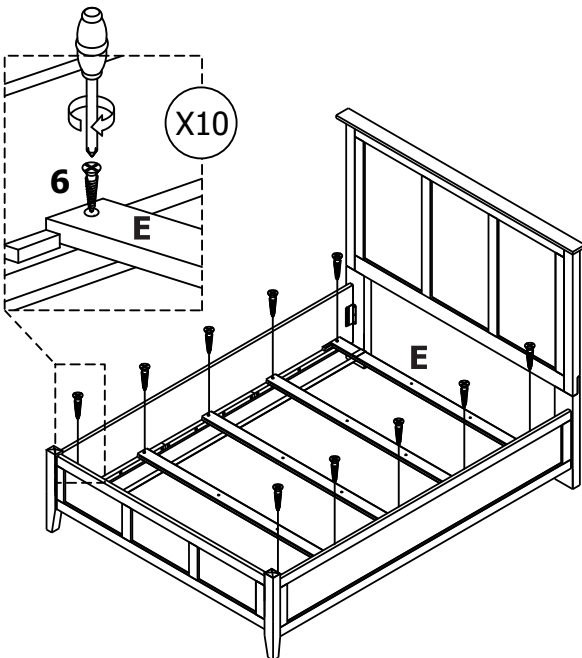
STEP 5 :



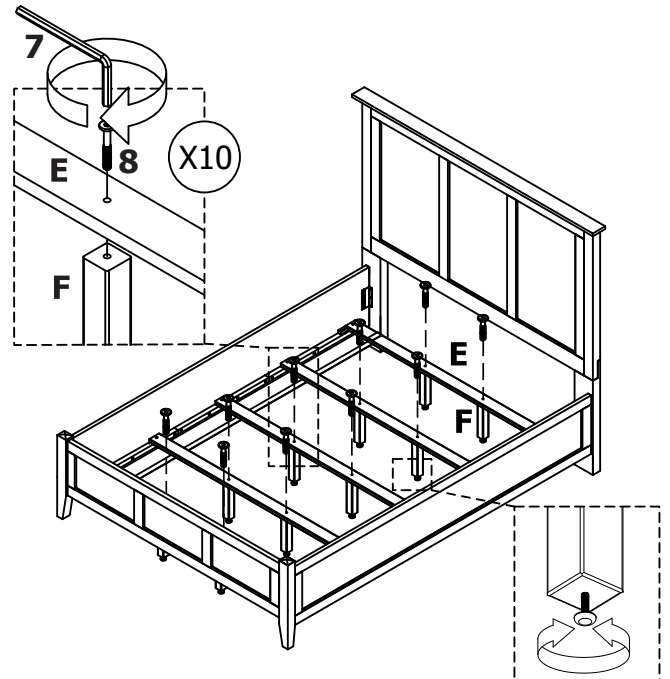
STOP

- IF USING BED FRAME WITH ADJUSTABLE MATTRESS BASE, SKIP TO APPENDIX A: ADJUSTABLE MATTRESS BASE ASSEMBLY SUPPLEMENT.
- IF USING BED FRAME WITH STANDARD BOX SPRING OR FOUNDATION CONTINUE TO STEP 6.

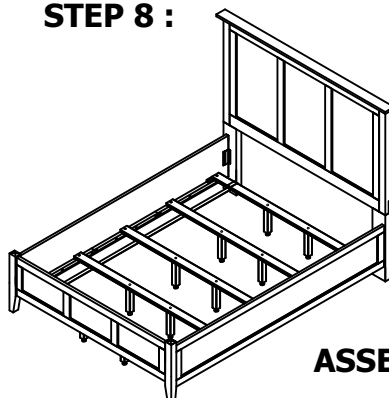
STEP 6 :



STEP 7 :



STEP 8 :



ASSEMBLY COMPLETE

GRACE C.KING LOW PROFILE BED

OWNER'S MANUAL

VENDOR ITEM NO. :

PNRAL6BH / PNRAL6FS / PNRAL6RL - SNOWFALL

PNRBL6BH / PNRBL6FS / PNRBL6RL - RAVEN

PNRCL6BH / PNRCL6FS / PNRCL6RL - DARK MOCHA





PNKXL6BH / PNKXL6FS / PNKXL6RL - BLUEBERRY

PNKGL6BH / PNKGL6FS / PNKGL6RL - ELEPHANT GREY



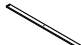



REPLACEABLE PARTS LIST




HEADBOARD - SNOWFALL, RAVEN, DARK MOCHA, BLUEBERRY, ELEPHANT GREY

DESCRIPTION	IMAGE	SKU
BOX 1 HARDWARE KIT		PNZZBPHWHB
FOOT CAP		PNZZCPFC
HEADBOARD LEFT LEG		PNRABPHBLL (Snowfall), PNRBBPHBLL (Raven), PNRCBPHBLL (Dark Mocha) PNKXBPHBLL (Blueberry), PNKGBPHBLL (Elephant Grey)
HEADBOARD RIGHT LEG		PNRABPHBLR (Snowfall), PNRBBPHBLR (Raven), PNRCBPHBLR (Dark Mocha) PNKXBPHBLR (Blueberry), PNKGBPHBLR (Elephant Grey)

FOOTBOARD/SLATS - SNOWFALL, RAVEN, DARK MOCHA, BLUEBERRY, ELEPHANT GREY

DESCRIPTION	IMAGE	SKU
BOX 2 HARDWARE KIT		PNZZBPHWLPK
FOOT CAP		PNZZCPFC
INDIVIDUAL SLAT		PNZZBPSL6
SUPPORT LEG		PNRABPLSLP (Snowfall), PNRBBPLSLP (Raven), PNRCBPLSLP (Dark Mocha) PNKXBPLSLP (Blueberry), PNKGBPLSLP (Elephant Grey)

SIDE RAILS - SNOWFALL, RAVEN, DARK MOCHA, BLUEBERRY, ELEPHANT GREY

DESCRIPTION	IMAGE	SKU
SIDE RAIL BRACKET SET/2		RPZZBPLBG
SIDE RAIL CLEAT		PNRABPSRCK (Snowfall), PNRBBPSRCK (Raven), PNRCBPSRCK (Dark Mocha) PNKXBPSRCK (Blueberry), PNKGBPSRCK (Elephant Grey)
SIDE RAIL CLEAT BOLT		RPZZBPSRCB

GRACE C.KING LOW PROFILE BED

OWNER'S MANUAL

VENDOR ITEM NO. :

PNRAL6BH / PNRAL6FS / PNRAL6RL - SNOWFALL

PNRBL6BH / PNRBL6FS / PNRBL6RL - RAVEN

PNRCL6BH / PNRCL6FS / PNRCL6RL - DARK MOCHA

PNKXL6BH / PNKXL6FS / PNKXL6RL - BLUEBERRY

PNKGL6BH / PNKGL6FS / PNKGL6RL - ELEPHANT GREY



WARNING:

- Maximum distributed load capacity: 800 lbs.
- Standing or jumping on this product may result in damage or injury.

ROUTINE MAINTENANCE:

Periodically check that support legs are in place and are applying equal upward pressure on the bed frame. To adjust support legs, turn levelers counterclockwise to extend, clockwise to retract.

Periodically check all fittings and tighten if necessary, as they can loosen over time.

Always remove box spring and mattress before moving the bed. Lift the bed when moving it. Dragging the bed can damage the center support. Readjust levelers after moving the bed.

CARE AND CLEANING:

WOOD FURNITURE: Dust frequently with a clean, damp, lint-free cloth. Frequent dusting will remove abrasive build-up which can damage a finish over time. Avoid using oily polishes or waxes. Avoid exposing your furniture to strong sunlight. Prolonged exposure to direct sunlight can fade the finish of your furniture. Do not expose your furniture to any liquids. Never allow water to sit on your furniture. Do not place hot items on top of surface, always use a mat or other protector. Alcohol, nail polish and perfume are also dangerous, as they can dissolve the furniture finish on contact and may require professional repairs.

GRACE C.KING LOW PROFILE BED

APPENDIX A: ADJUSTABLE MATTRESS BASE ASSEMBLY SUPPLEMENT



VENDOR ITEM NO. :

PNRAL6BH / PNRAL6FS / PNRAL6RL - SNOWFALL

PNRBL6BH / PNRBL6FS / PNRBL6RL - RAVEN

PNRCL6BH / PNRCL6FS / PNRCL6RL - DARK MOCHA

PNKXL6BH / PNKXL6FS / PNKXL6RL - BLUEBERRY

PNKGL6BH / PNKGL6FS / PNKGL6RL - ELEPHANT GREY

AN ADJUSTABLE MATTRESS BASE IS A FREESTANDING MATTRESS SUPPORT THAT SITS WITHIN THE PERIMETER OF THE BED FRAME.

IF USING THIS BED FRAME WITH A STANDARD BOX SPRING OR FOUNDATION THESE INSTRUCTIONS DO NOT APPLY.

PRE-ASSEMBLED SIDE RAIL CLEATS OBSTRUCT ADJUSTABLE BASE INSTALLATION AND OPERATION. FOLLOW THESE INSTRUCTIONS TO REMOVE THEM.

THE FOLLOWING PARTS ARE NOT REQUIRED FOR ADJUSTABLE MATTRESS BASE INSTALLATION:

E. BED SLAT
F. SUPPORT LEG

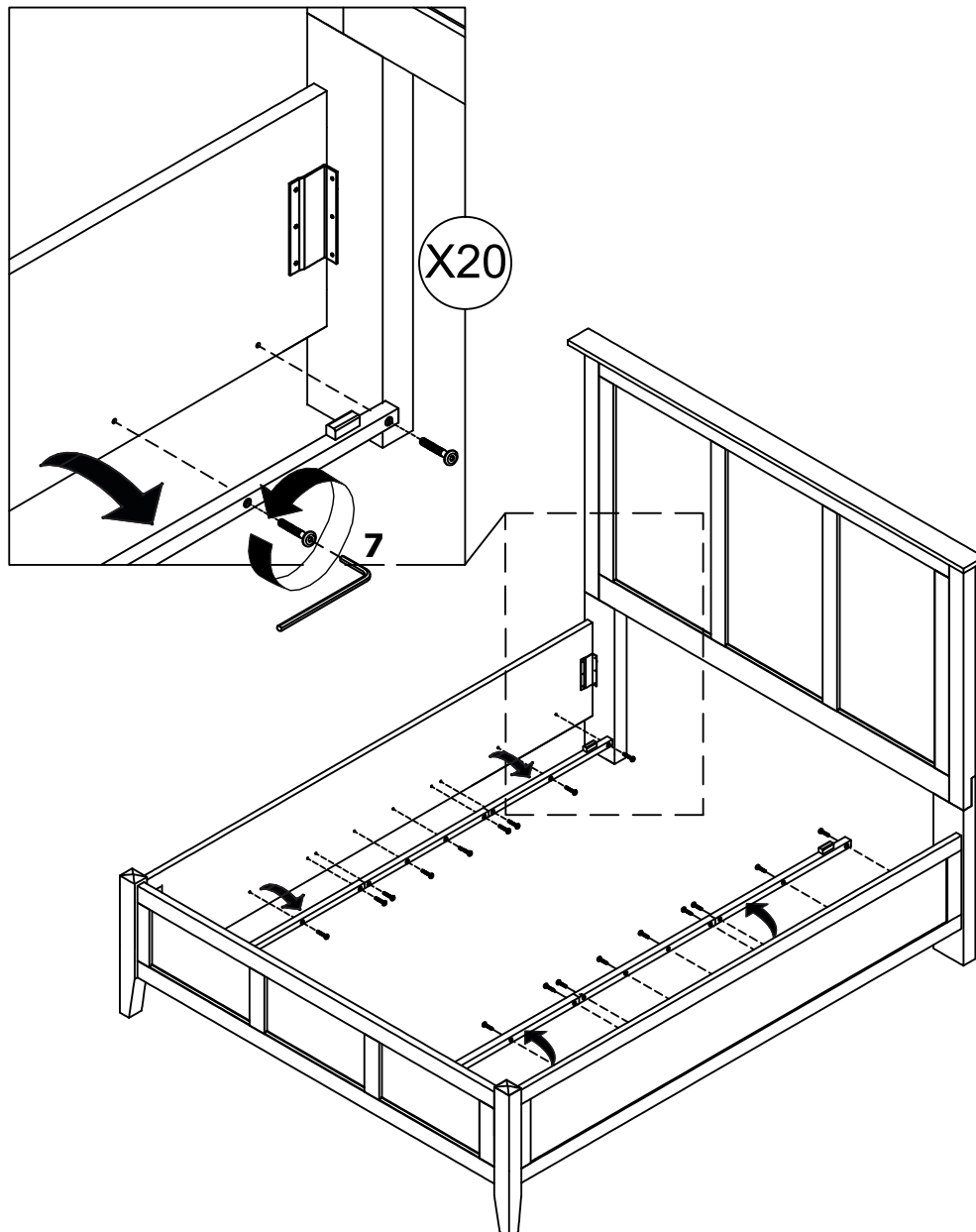
5 PCS
10 PCS

6. WOOD SCREW (8x30mm)
8. ALLEN BOLT (6x40mm)

11 PCS
11 PCS

STEP 1 :

USE ALLEN KEY (7) TO UNSCREW ALLEN BOLTS AND REMOVE PRE-ASSEMBLED SIDE RAIL CLEATS.



NOTE: YOU MAY WISH TO RETAIN UNUSED PARTS IF IN THE FUTURE YOU INTEND TO USE THE BED FRAME WITH A STANDARD BOX SPRING OR FOUNDATION.

UPDATED : MAY 3RD, 2023

GRACE E.KING LOW PROFILE BED

OWNER'S MANUAL

VENDOR ITEM NO. :

PNRAL7BH / PNRAL7FS / PNRAL5RL - SNOWFALL

PNRBL7BH / PNRBL7FS / PNRBL5RL - RAVEN

PNRCL7BH / PNRCL7FS / PNRCL5RL - DARK MOCHA

PNKXL7BH / PNKXL7FS / PNKXL5RL - BLUEBERRY

PNKGL7BH / PNKGL7FS / PNKGL5RL - ELEPHANT GREY



ASSEMBLY PARTS LIST

BOX 1 - HEADBOARD

(SKU PNRAL7BH/PNRBL7BH/PNRCL7BH/PNKXL7BH/PNKGL7BH)

PART NO.	IMAGE	DESCRIPTION	QUANTITY
A		HEADBOARD PANEL	1
B		LEFT HEADBOARD LEG	1
C		RIGHT HEADBOARD LEG	1

HEADBOARD HARDWARE KIT PACKED IN BOX 1

1		ALLEN BOLT (6X35mm)	8
2		SPRING WASHER (M6)	8
3		FLAT WASHER (M6)	8
4		ALLEN KEY	1

BOX 2 - FOOTBOARD-SLATS

(SKU PNRAL7FS/PNRBL7FS/PNRCL7FS/PNKXL7FS/PNKGL7FS)

PART NO.	IMAGE	DESCRIPTION	QUANTITY
D		FOOTBOARD	1
E		BED SLAT	5
F		SUPPORT LEG	10

BED HARDWARE KIT PACKED IN BOX 2

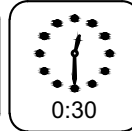
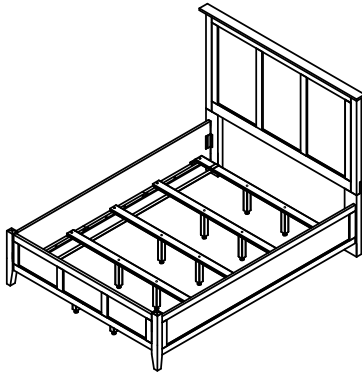
5		PAN HEAD SCREW (6X15mm)	13
6		WOOD SCREW (8x30mm)	11
7		ALLEN KEY	1
8		ALLEN BOLT (6X40mm)	11

BOX 3 - SIDE RAILS

(SKU PNRAL5RL/PNRBL5RL/PNRCL5RL/PNKXL5RL/PNKGL5RL)

G		SIDE RAIL	2
---	--	-----------	---

GRACE LOW PROFILE BED FULLY ASSEMBLED



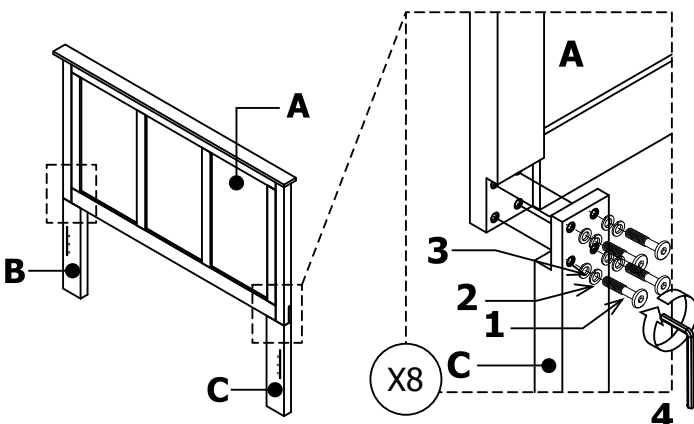
NOT PROVIDED

ASSEMBLE ON A SOFT SURFACE

ASSEMBLY INSTRUCTIONS

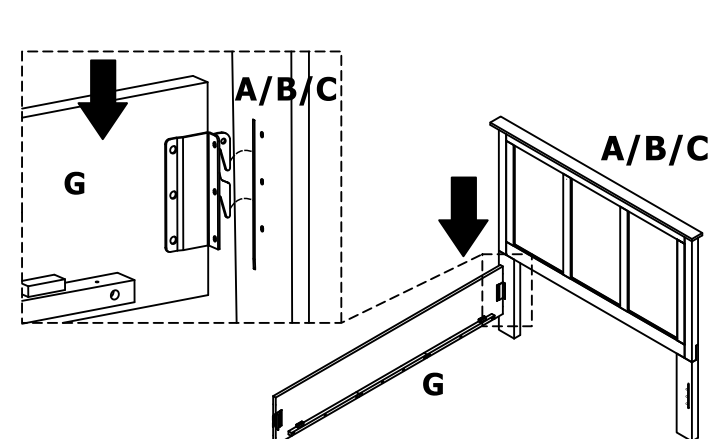
STEP 1 :

USE HEADBOARD HARDWARE PACKED IN BOX 1 FOR STEP 1.



STEP 2 :

USE HARDWARE PACKED IN BOX 2 FOR STEP 2 AND ALL REMAINING STEPS.



UPDATED : APRIL 18TH, 2023

GRACE E.KING LOW PROFILE BED

OWNER'S MANUAL

VENDOR ITEM NO. :

PNRAL7BH / PNRAL7FS / PNRAL5RL - SNOWFALL

PNRBL7BH / PNRBL7FS / PNRBL5RL - RAVEN

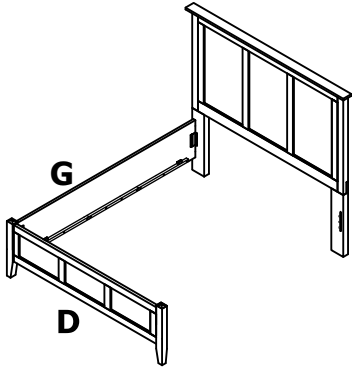
PNRCL7BH / PNRCL7FS / PNRCL5RL - DARK MOCHA

PNKXL7BH / PNKXL7FS / PNKXL5RL - BLUEBERRY

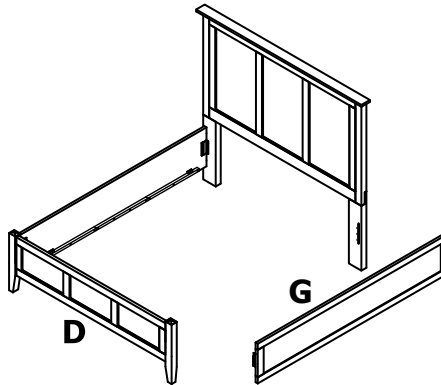
PNKGL7BH / PNKGL7FS / PNKGL5RL - ELEPHANT GREY



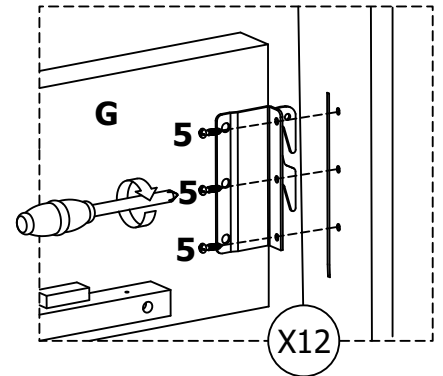
STEP 3 :



STEP 4 :



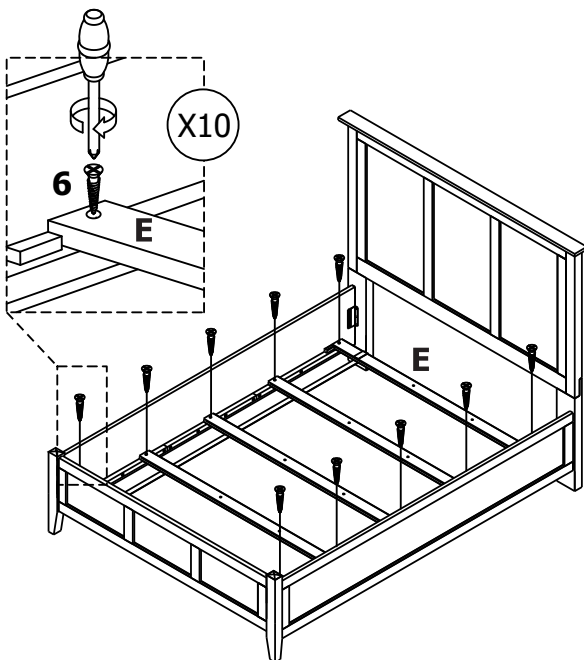
STEP 5 :



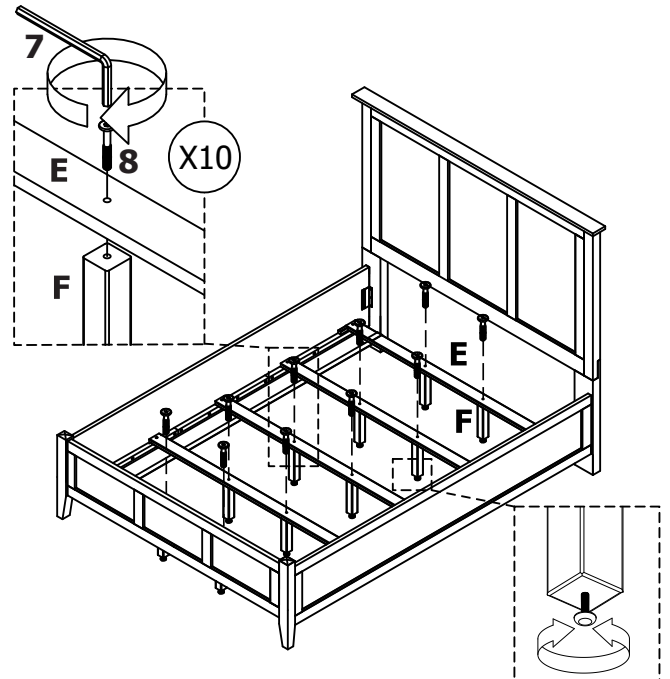
STOP

- IF USING BED FRAME WITH ADJUSTABLE MATTRESS BASE, SKIP TO APPENDIX A: ADJUSTABLE MATTRESS BASE ASSEMBLY SUPPLEMENT.
- IF USING BED FRAME WITH STANDARD BOX SPRING OR FOUNDATION CONTINUE TO STEP 6.

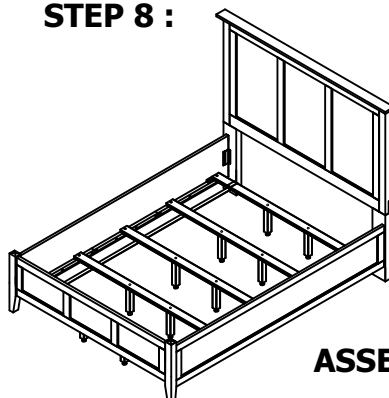
STEP 6 :



STEP 7 :



STEP 8 :



ASSEMBLY COMPLETE

GRACE E.KING LOW PROFILE BED

OWNER'S MANUAL

VENDOR ITEM NO. :

PNRAL7BH / PNRAL7FS / PNRAL5RL - SNOWFALL

PNRBL7BH / PNRBL7FS / PNRBL5RL - RAVEN

PNRCL7BH / PNRCL7FS / PNRCL5RL - DARK MOCHA





PNKXL7BH / PNKXL7FS / PNKXL5RL - BLUEBERRY

PNKGL7BH / PNKGL7FS / PNKGL5RL - ELEPHANT GREY

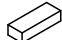

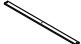



REPLACEABLE PARTS LIST




HEADBOARD - SNOWFALL, RAVEN, DARK MOCHA, BLUEBERRY, ELEPHANT GREY

DESCRIPTION	IMAGE	SKU
BOX 1 HARDWARE KIT		PNZZBPHWHB
FOOT CAP		PNZZCPFC
HEADBOARD LEFT LEG		PNRABPHBLL (Snowfall), PNRBBPHBLL (Raven), PNRCBPHBLL (Dark Mocha) PNKXBPHBLL (Blueberry), PNKGBPHBLL (Elephant Grey)
HEADBOARD RIGHT LEG		PNRABPHBLR (Snowfall), PNRBBPHBLR (Raven), PNRCBPHBLR (Dark Mocha) PNKXBPHBLR (Blueberry), PNKGBPHBLR (Elephant Grey)

FOOTBOARD/SLATS - SNOWFALL, RAVEN, DARK MOCHA, BLUEBERRY, ELEPHANT GREY

DESCRIPTION	IMAGE	SKU
BOX 2 HARDWARE KIT		PNZZBPHWLPK
FOOT CAP		PNZZCPFC
INDIVIDUAL SLAT		PNZZBPSL7
SUPPORT LEG		PNRABPLSLP (Snowfall), PNRBBPLSLP (Raven), PNRCBPLSLP (Dark Mocha) PNKXBPLSLP (Blueberry), PNKGBPLSLP (Elephant Grey)

SIDE RAILS - SNOWFALL, RAVEN, DARK MOCHA, BLUEBERRY, ELEPHANT GREY

DESCRIPTION	IMAGE	SKU
SIDE RAIL BRACKET SET/2		RPZZBPLBG
SIDE RAIL CLEAT		PNRABPSRCQK (Snowfall), PNRBBPSRCQK (Raven), PNRCBPSRCQK (Dark Mocha) PNKXBPSRCQK (Blueberry), PNKGBPSRCQK (Elephant Grey)
SIDE RAIL CLEAT BOLT		RPZZBPSRCB

GRACE E.KING LOW PROFILE BED

OWNER'S MANUAL



VENDOR ITEM NO. :

PNRAL7BH / PNRAL7FS / PNRAL5RL - SNOWFALL

PNRBL7BH / PNRBL7FS / PNRBL5RL - RAVEN

PNRCL7BH / PNRCL7FS / PNRCL5RL - DARK MOCHA

PNKXL7BH / PNKXL7FS / PNKXL5RL - BLUEBERRY

PNKGL7BH / PNKGL7FS / PNKGL5RL - ELEPHANT GREY



WARNING:

- Maximum distributed load capacity: 800 lbs.
- Standing or jumping on this product may result in damage or injury.

ROUTINE MAINTENANCE:

Periodically check that support legs are in place and are applying equal upward pressure on the bed frame. To adjust support legs, turn levelers counterclockwise to extend, clockwise to retract.

Periodically check all fittings and tighten if necessary, as they can loosen over time.

Always remove box spring and mattress before moving the bed. Lift the bed when moving it. Dragging the bed can damage the center support. Readjust levelers after moving the bed.

CARE AND CLEANING:

WOOD FURNITURE: Dust frequently with a clean, damp, lint-free cloth. Frequent dusting will remove abrasive build-up which can damage a finish over time. Avoid using oily polishes or waxes. Avoid exposing your furniture to strong sunlight. Prolonged exposure to direct sunlight can fade the finish of your furniture. Do not expose your furniture to any liquids. Never allow water to sit on your furniture. Do not place hot items on top of surface, always use a mat or other protector. Alcohol, nail polish and perfume are also dangerous, as they can dissolve the furniture finish on contact and may require professional repairs.

GRACE E.KING LOW PROFILE BED

APPENDIX A:ADJUSTABLE MATTRESS BASE ASSEMBLY SUPPLEMENT



VENDOR ITEM NO. :

PNRAL7BH / PNRAL7FS / PNRAL5RL - SNOWFALL

PNRBL7BH / PNRBL7FS / PNRBL5RL - RAVEN

PNRCL7BH / PNRCL7FS / PNRCL5RL - DARK MOCHA

PNKXL7BH / PNKXL7FS / PNKXL5RL - BLUEBERRY

PNKGL7BH / PNKGL7FS / PNKGL5RL - ELEPHANT GREY

AN ADJUSTABLE MATTRESS BASE IS A FREESTANDING MATTRESS SUPPORT THAT SITS WITHIN THE PERIMETER OF THE BED FRAME.

IF USING THIS BED FRAME WITH A STANDARD BOX SPRING OR FOUNDATION THESE INSTRUCTIONS DO NOT APPLY.

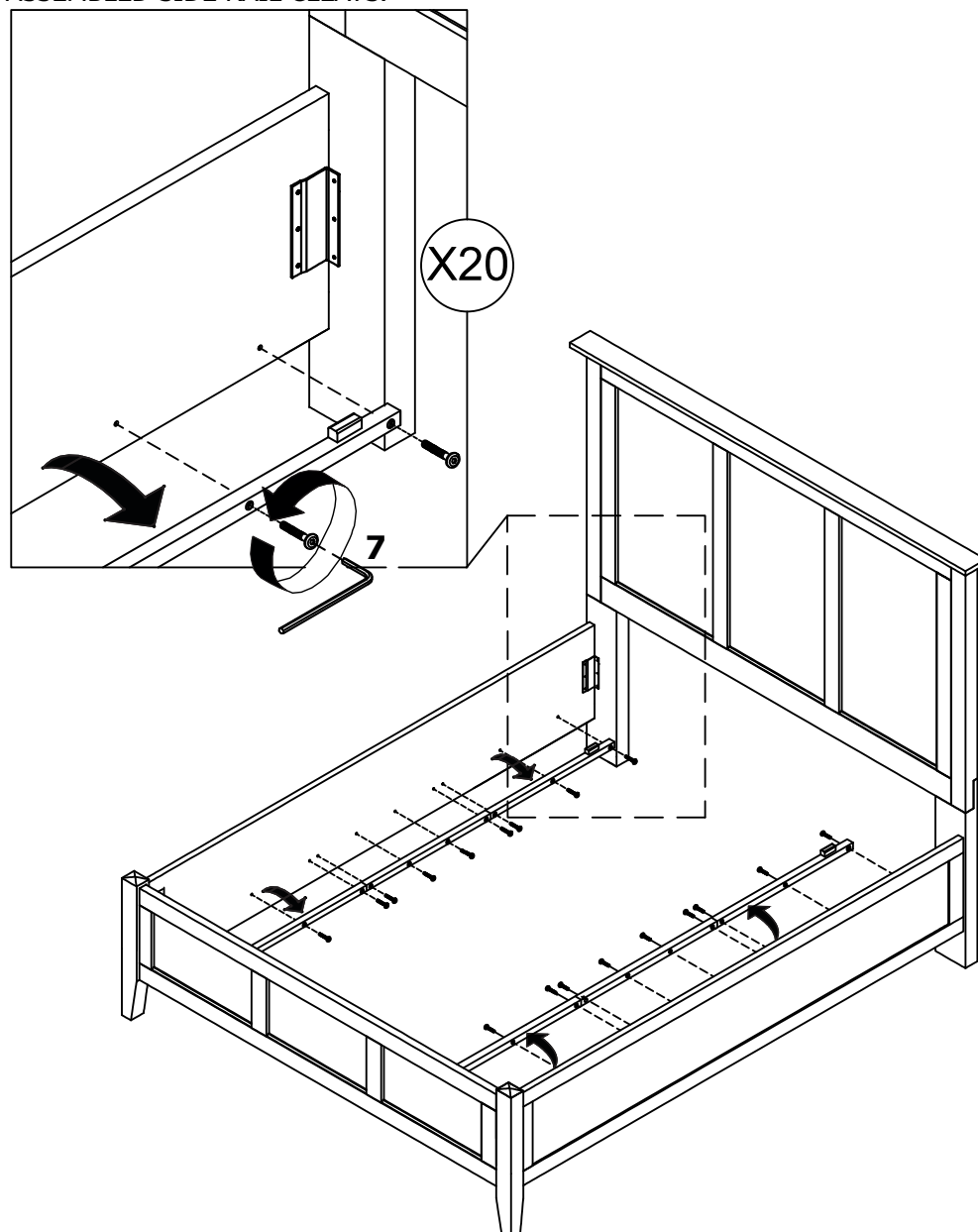
PRE-ASSEMBLED SIDE RAIL CLEATS OBSTRUCT ADJUSTABLE BASE INSTALLATION AND OPERATION. FOLLOW THESE INSTRUCTIONS TO REMOVE THEM.

THE FOLLOWING PARTS ARE NOT REQUIRED FOR ADJUSTABLE MATTRESS BASE INSTALLATION:

E. BED SLAT	5 PCS	6. WOOD SCREW (8x30mm)	11 PCS
F. SUPPORT LEG	10 PCS	8. ALLEN BOLT (6x40mm)	11 PCS

STEP 1 :

USE ALLEN KEY (7) TO UNSCREW ALLEN BOLTS AND REMOVE PRE-ASSEMBLED SIDE RAIL CLEATS.



NOTE: YOU MAY WISH TO RETAIN UNUSED PARTS IF IN THE FUTURE YOU INTEND TO USE THE BED FRAME WITH A STANDARD BOX SPRING OR FOUNDATION.

UPDATED : APRIL 18TH, 2023