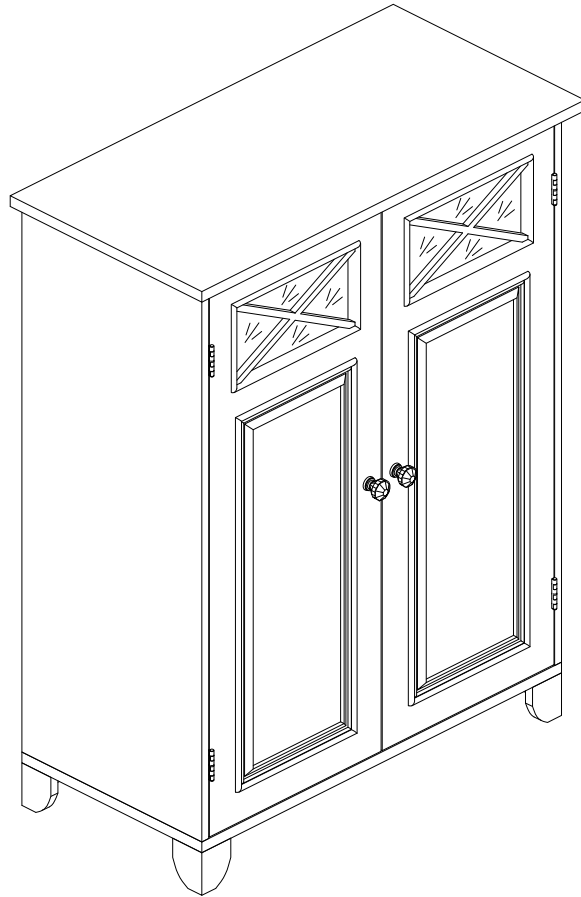


# Assembly Instructions

## Floor Cabinet With Two Doors



**Please provide the following information when contacting for parts or questions: the name of the company you purchased from, the tracking number of the original package, and the original order date.**

**We offer free replacements for 1 year (purchase verification required). This replacement policy does not cover used/previously returned product or products sold by unauthorized third party vendors.**

### **ASSEMBLY INSTRUCTIONS - IMPORTANT**

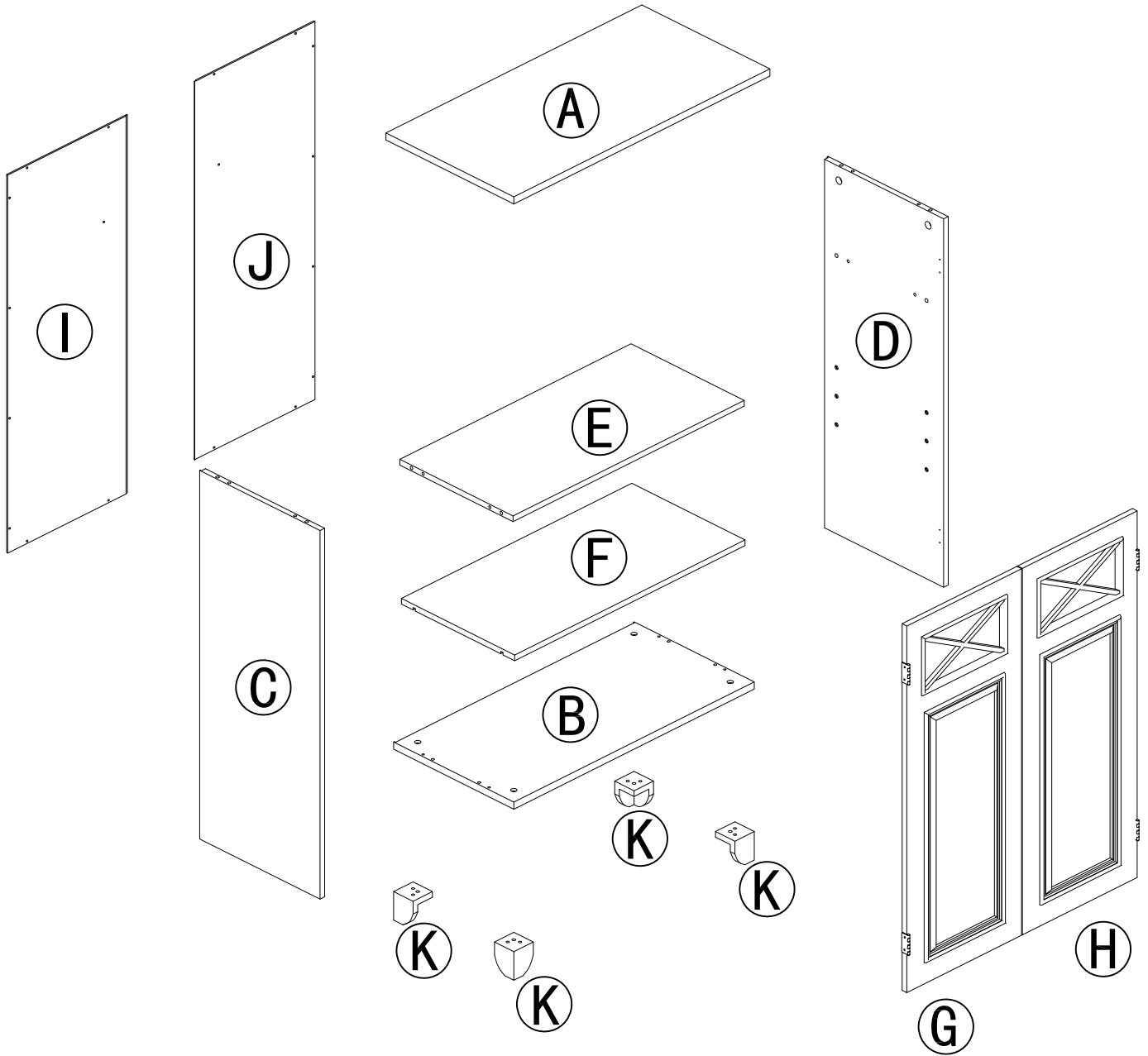
Carefully unpack & identify each component before attempting to assemble. Refer to parts list. Please take care when assembling the unit and always set the parts on a clean, soft surface. If you require any assistance with assembly, parts, please call the company you place order with or please email to: [service@eleganthf.net](mailto:service@eleganthf.net).

### **INSTRUCCIONES PARA ARMAR - IMPORTANTE :**

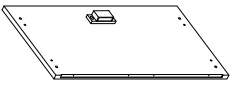
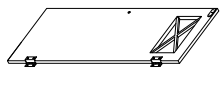
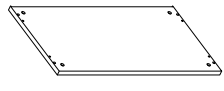
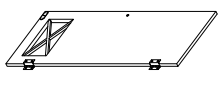
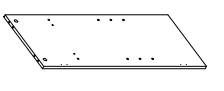
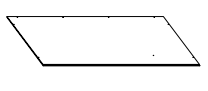
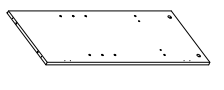
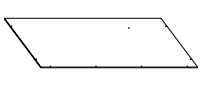
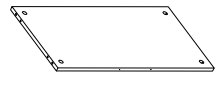

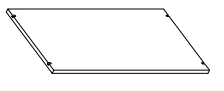
Desempaque cuidadosamente e identifique cada componente antes de tratar de empezar su ensambladura. Verifique la lista de partes. Por favor tenga cuidado cuando arme la unidad y siempre coloque las piezas sobre una superficie plana, suave y limpia. Si necesita ayuda con el armado, envíe un correo electrónico a [service@eleganthf.net](mailto:service@eleganthf.net).

### **DIRECTIVES DE MONTAGE-IMPORTANT:**


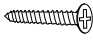
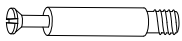
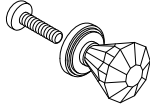




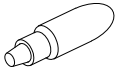
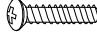

Avant de commencer l'assemblage, déballez délicatement toutes les pièces et repérez-les sur la liste des pièces. Procédez avec soins durant l'assemblage et posez toujours les pièces sur une surface propre, douce et lisse. Si vous plait e-mail à [service@eleganthf.net](mailto:service@eleganthf.net).



# COMPONENTS

PART	FIGURE	DESCRIPTION	QTY	PART	FIGURE	DESCRIPTION	QTY
A		TOP SHELF	1PC	G		LEFT DOOR	1PC
B		BOTTOM SHELF	1PC	H		RIGHT DOOR	1PC
C		SIDE PANEL - LEFT	1PC	I		BACK LEFT PANEL	1PC
D		SIDE PANEL - RIGHT	1PC	J		BACK RIGHT PANEL	1PC
E		FIXED LEVEL SHELF	1PC	K		LEGS	4PCS
F		ADJUSTABLE SHELF	1PC				

# HARDWARE & TOOLS

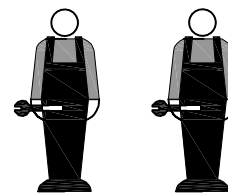
PART	FIGURE	DESCRIPTION	QTY	PART	FIGURE	DESCRIPTION	QTY
1		WOODEN DOWEL	20PCS	7	 Ø4mm*1-1/4"	SCREW	4PCS
2		PIN	8PCS	8		KNOB & BOLT	2SETS
3		CAM LOCK	8PCS	9	 Ø3*12 mm	SCREW	18PCS
4		CAM LOCK CAP	8PCS	10		SHELF PIN	4PCS
5		GLUE	1 PC	11	 Ø1/4"*1"	PHILLIPS BOLT	4PCS
6	 Ø3*12 mm	SCREW	8PCS				

## TOOL NEEDED:

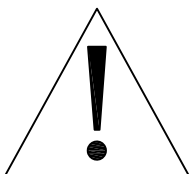


**PHILIPS SCREWDRIVER REQUIRED  
- NOT INCLUDED**

## SUGGESTION:



**TWO PEOPLE FOR ASSEMBLING**



## WARNINGS:

1. DO NOT LET ANY SHARP OBJECTS TOUCH OR RUB THE SURFACE OF THE PRODUCT.
2. WHEN ASSEMBLING, DO NOT LET CHILDREN PLAY AROUND THE WORKING AREA.
3. PLEASE CONFIRM ALL PARTS ARE CORRECT BEFORE STARTING THE ASSEMBLY PROCESS.
4. DO NOT TIGHTEN ALL BOLTS AND SCREWS COMPLETELY UNTIL THE ENTIRE UNIT HAS BEEN ASSEMBLED AND SET UP.

# 1

1



2pcs

2



2pcs

3



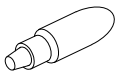
2pcs

4

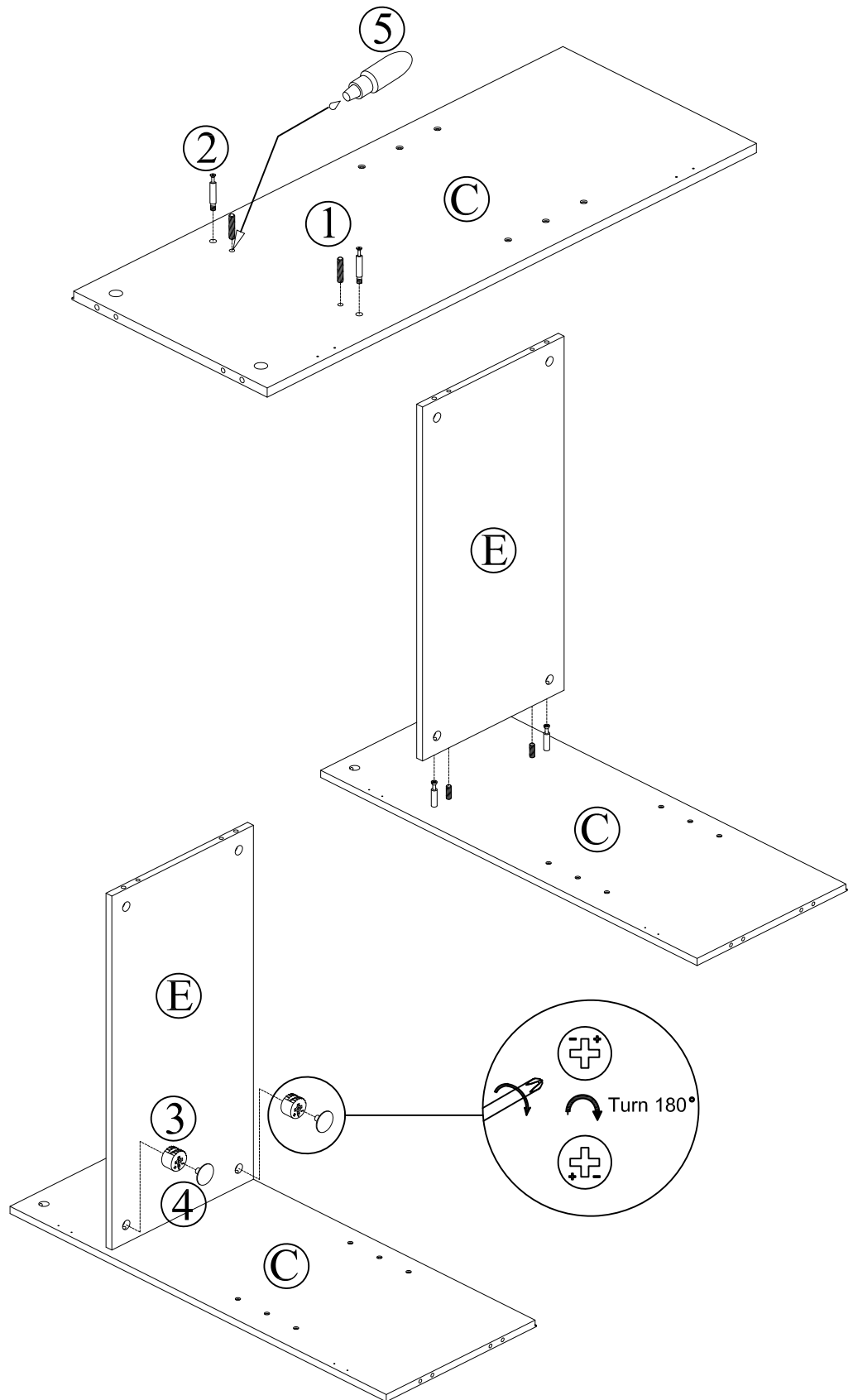


2pcs

5



1pc



## STEP 1:

1. Fill dowel hole half way with glue #5.  
Wooden dowel #1 may push out excess glue-wipe off excess glue.
2. Insert the wooden dowel #1 and pin #2 into the hole on Side Panel-Left C.
3. Connect the Fixed Level Shelf E to the Side Panel-Left C with the wooden dowel #1 and pin #2.
4. Insert the cam lock #3 into the hole on Fixed Level Shelf E, tighten cam lock #3 to the pin #2, insert Cam Lock Cap #4 when finish.

# 2

1



2pcs

2



2pcs

3



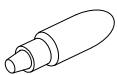
2pcs

4

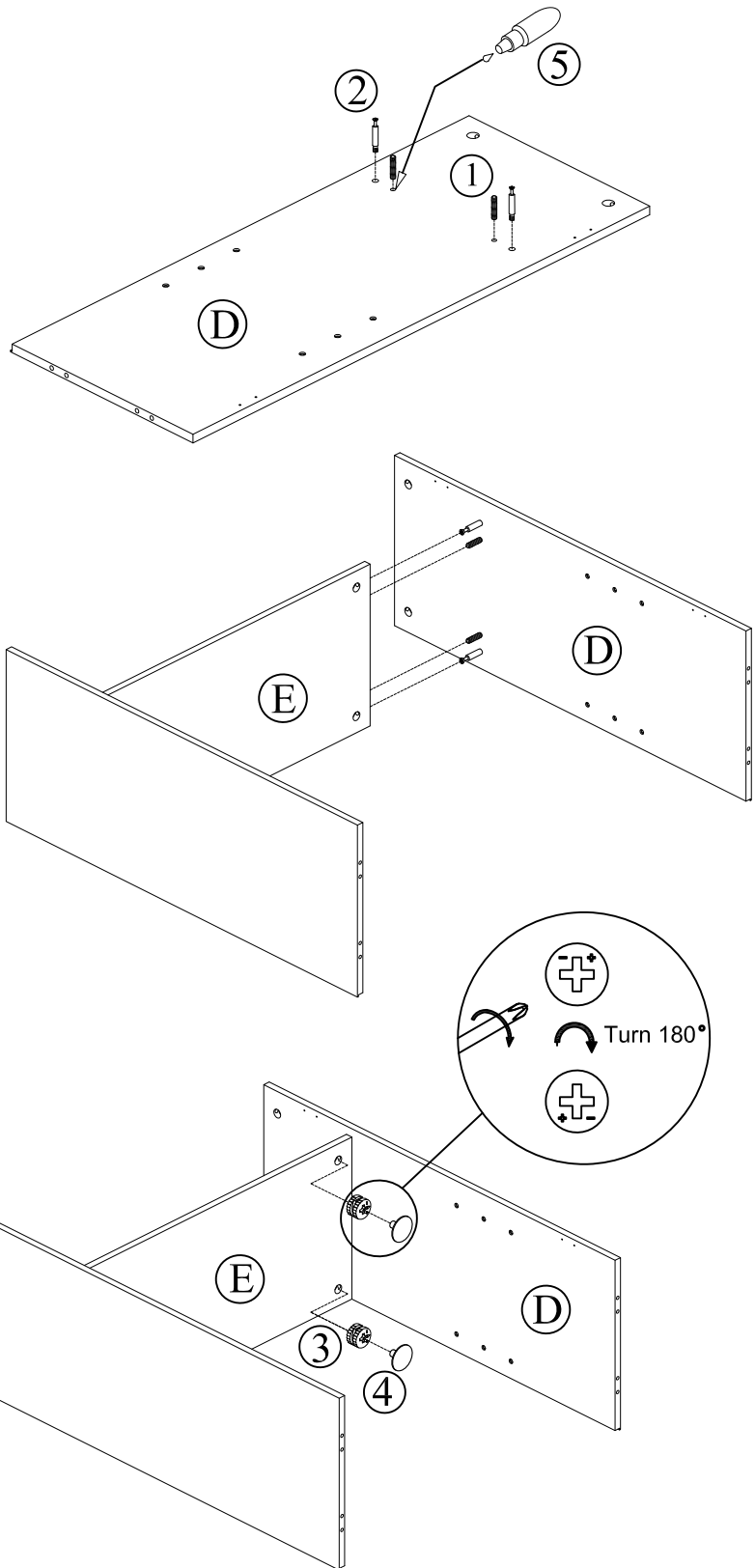


2pcs

5



1pc



## STEP 2:

1. Fill dowel hole half way with glue #5.  
Wooden dowel #1 may push out excess glue-wipe off excess glue.
2. Insert the wooden dowel #1 and pin #2 into the hole on Side Panel-Right D.
3. Connect the Side Panel-Right D to the Fixed Level Shelf E with the wooden dowel #1 and pin #2.
4. Insert the cam lock #3 into the hole on Fixed Level Shelf E, tighten cam lock #3 to the pin #2, insert Cam Lock Cap #4 when finish.

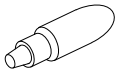
# 3

1

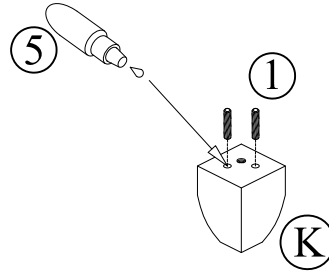


8pcs

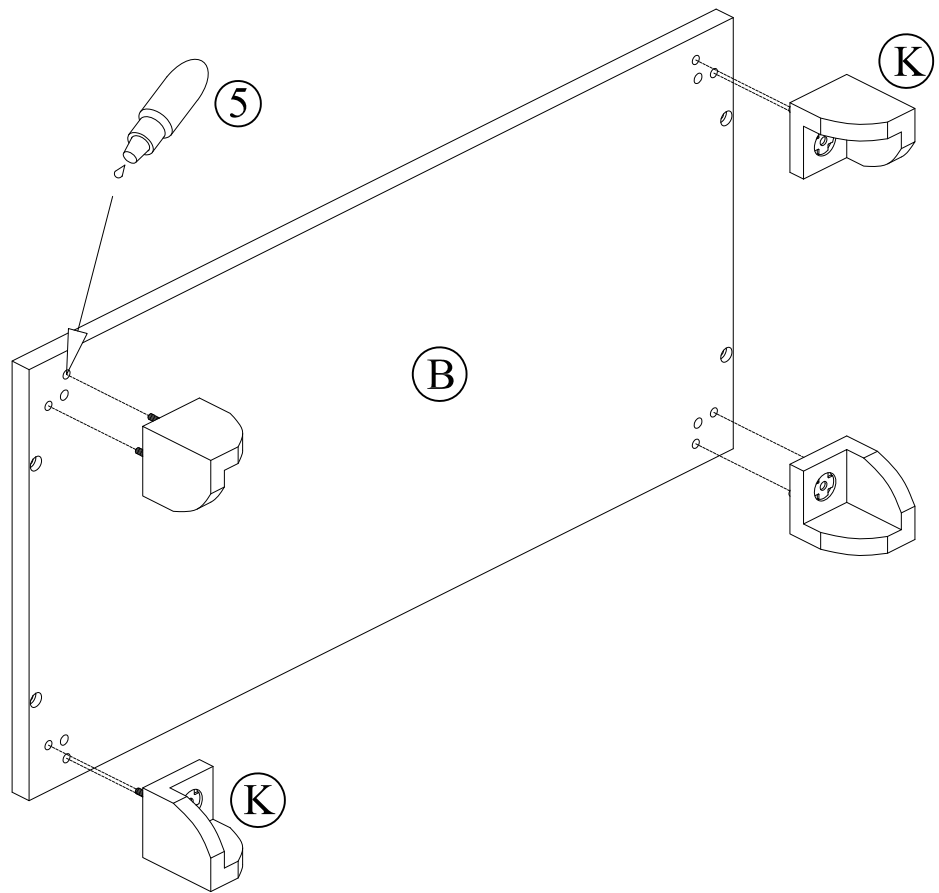
5



1pc



X 4



**STEP 3:**

1. Fill dowel hole half way with glue #5.  
Wooden dowel #1 may push out excess glue-wipe off excess glue.
2. Insert the wooden dowel #1 into the hole on Legs K.
3. Connect the Legs K to the Bottom Shelf B with the wooden dowel #1.

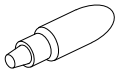
# 4

1



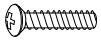
4pcs

5



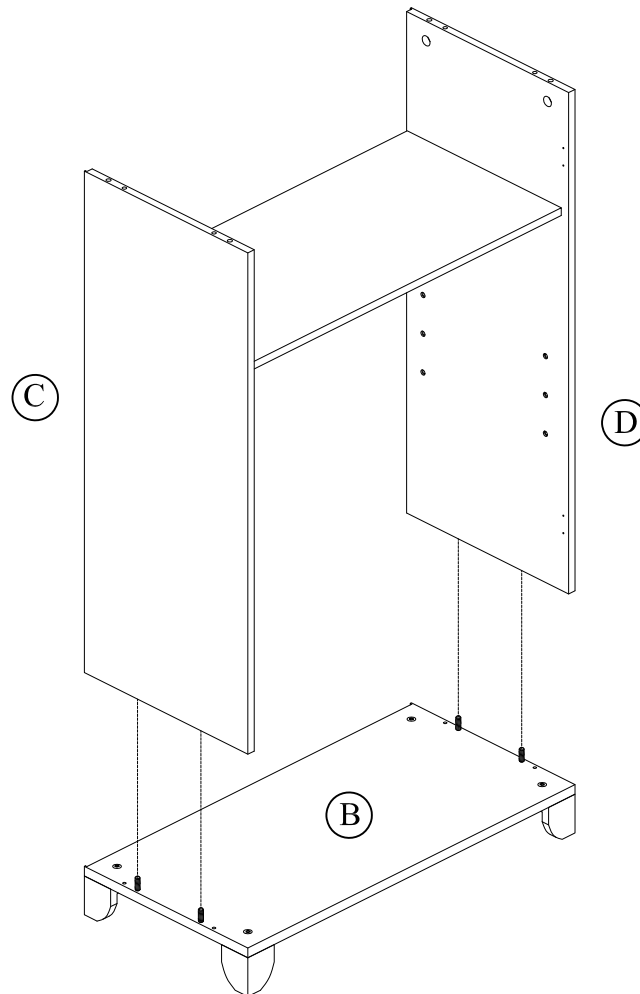
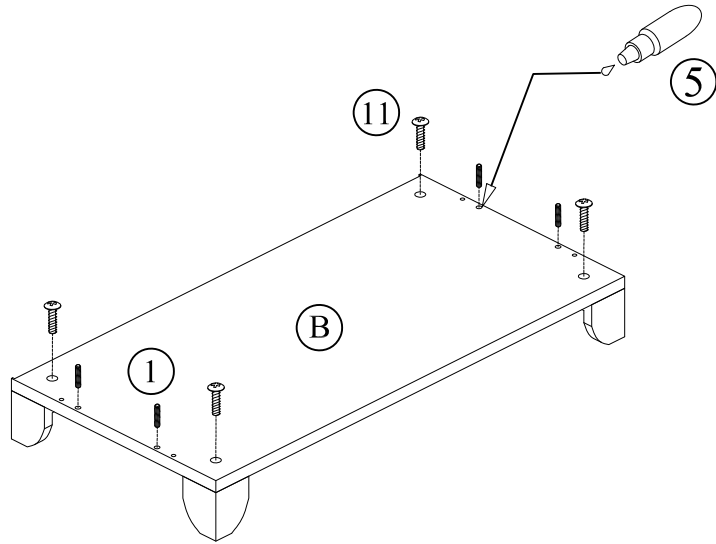
1pc

11



4pcs

Ø1/4"\*1"



## STEP 4:

1. Fill dowel hole half way with glue #5.  
Wooden dowel #1 may push out excess glue-wipe off excess glue.
2. Insert the wooden dowel #1 into the hole on Bottom Shelf B.
3. Insert the Phillips Bolt #11 into the hole on Bottom Shelf B,  
tighten Phillips Bolt #11 to the Legs K.
4. Connect the Side Panel-Left C & Side Panel-Right D to the Bottom Shelf B  
with the wooden dowel #1.



# 5

1



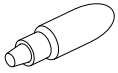
4pcs

2



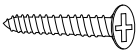
4pcs

5



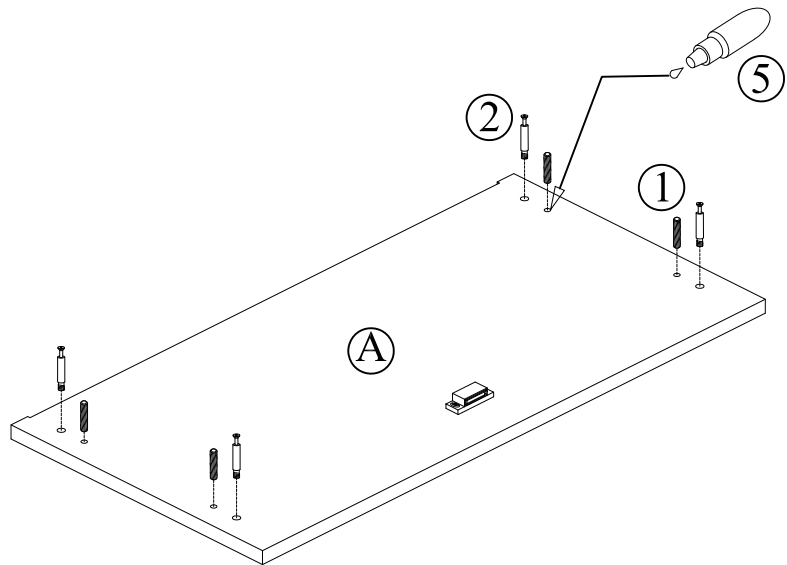
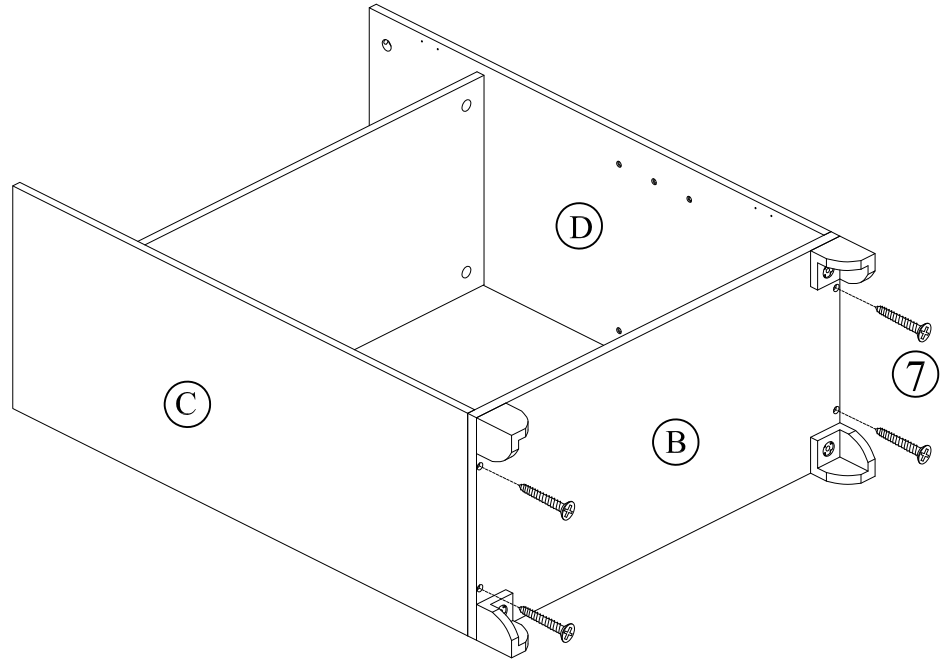
1pc

7



4pcs

Ø4mm\*1-1/4"



## STEP 5:

1. Tighten the Side Panel-Left C & Side Panel-Right D and Bottom Shelf B with the Screw #7.
2. Fill dowel hole half way with glue #5.  
Wooden dowel #1 may push out excess glue-wipe off excess glue.
3. Insert the wooden dowel #1 and pin #2 into the hole on Top Shelf A.

# 6

3

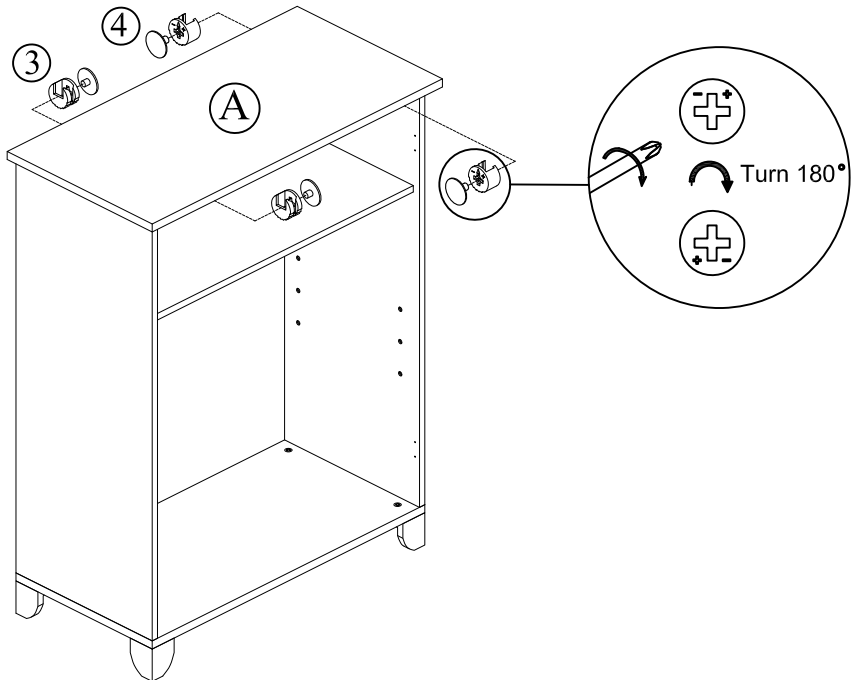
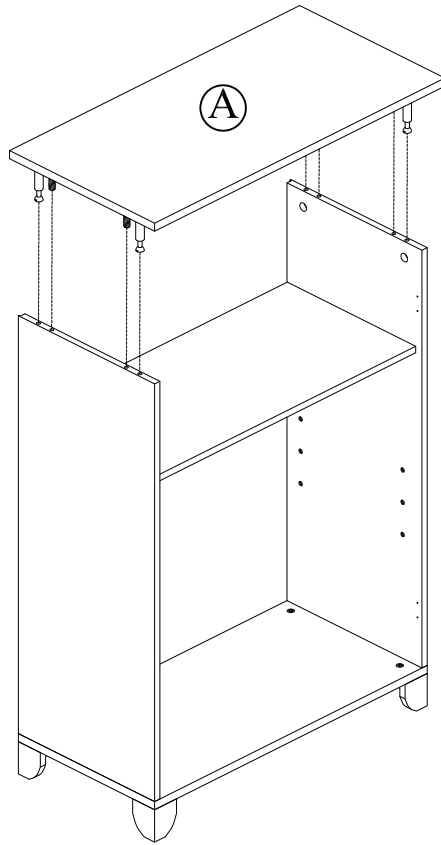


4pcs

4



4pcs



### STEP 6:

1. Connect the Top shelf A to the main body.
2. Insert the cam lock #3 into the hole on Side Panel-Left C & Side Panel-Right D.
3. Tighten the cam lock #3 to the pin #2, insert Cam Lock Cap #4 when finish.

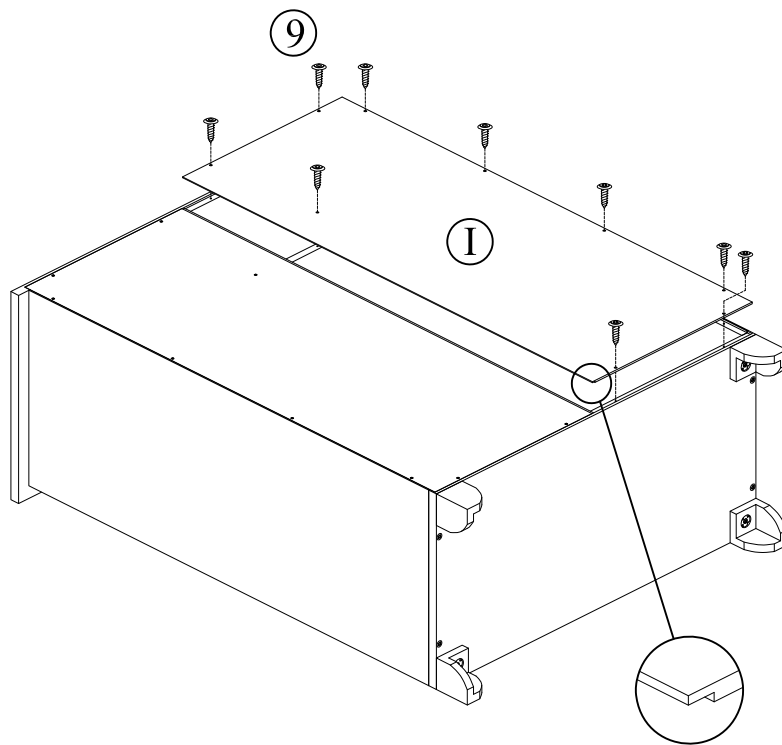
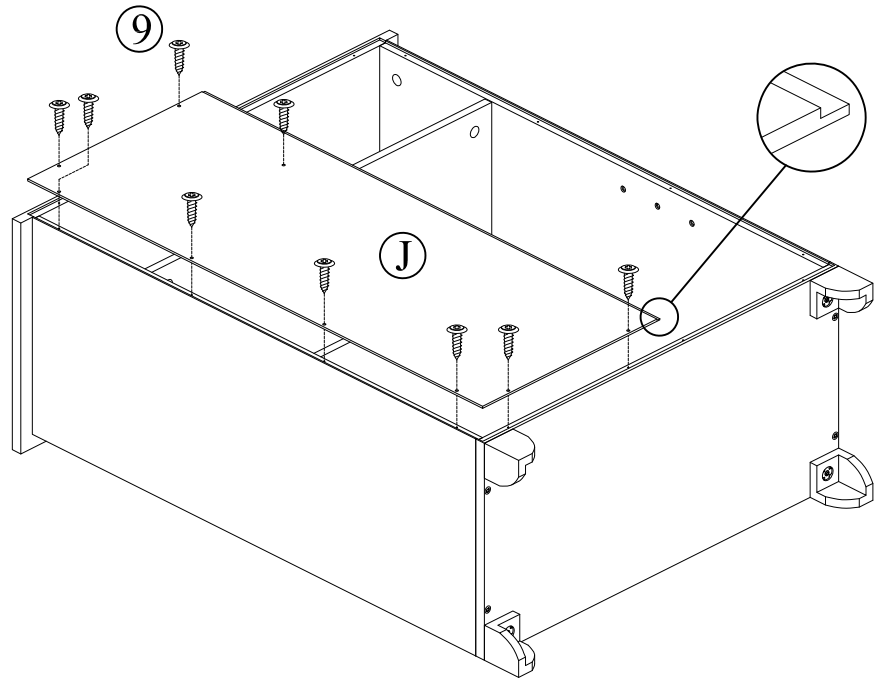
# 7

9



18pcs

Ø3\*12 mm



## STEP 7:

1. Connect and tighten the Back Right Panel J and the main body with screw #9.
2. Connect and tighten the Back Left Panel I and the main body with screw #9.

# 8

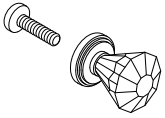
6



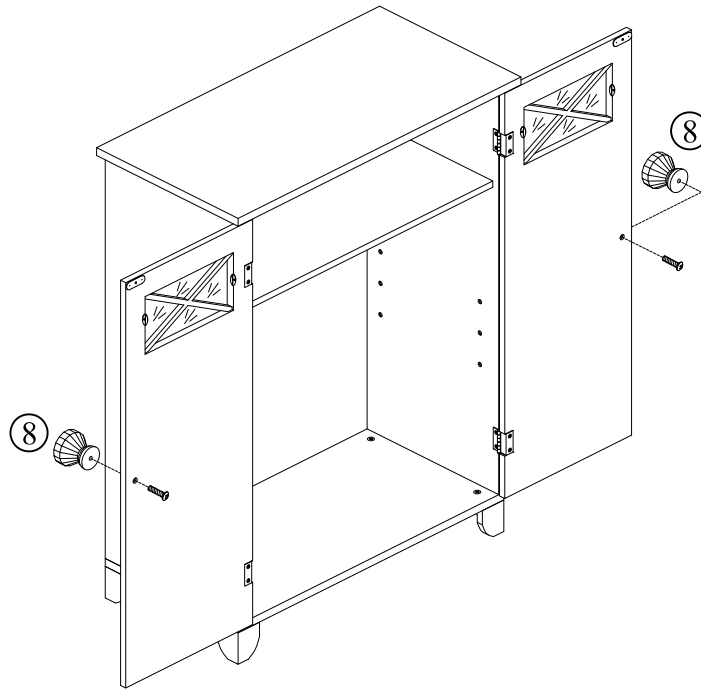
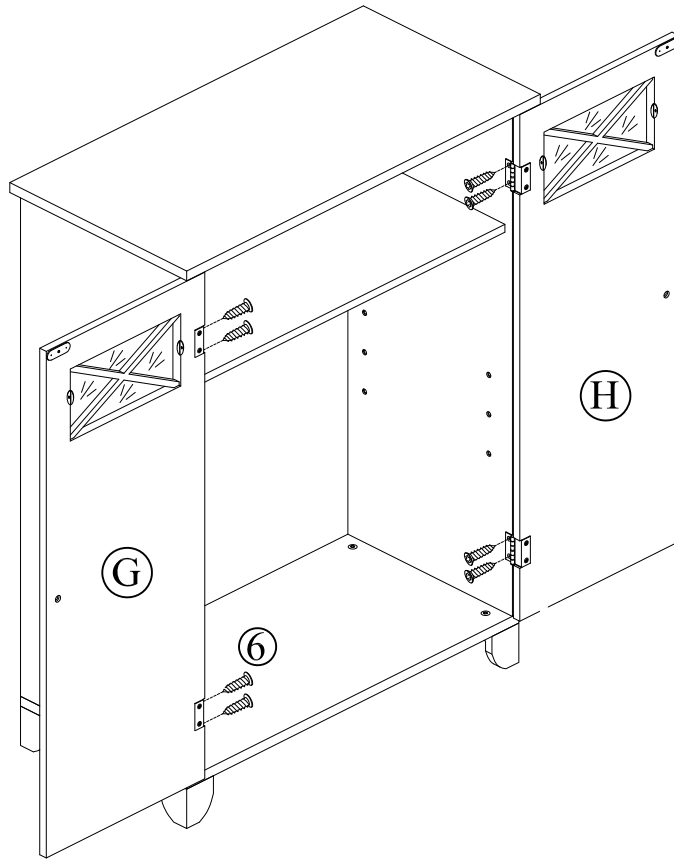
8pcs

Ø3\*12 mm

8



2sets



## STEP 8:

1. Connect and tighten the Left Door G and Side Panel-Left C with screw #6.
2. Connect and tighten the Right Door H and Side Panel-Right D with screw #6.
3. Install the knob #8 to the Left Door G & Right Door H, tighten the bolt provided.

