



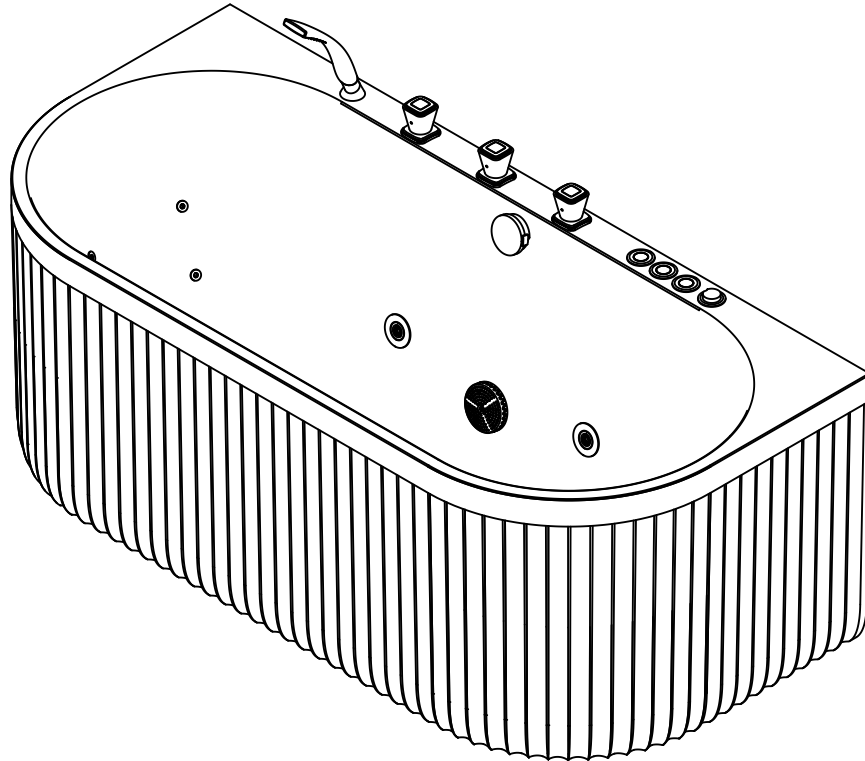
ANZZI®

# FT-AZ514

WHIRLPOOL AND AIR JETTED FREESTANDING  
BATHTUB WITH CHROMA-LIGHT  
INSTALLATION & OPERATION MANUAL

V1.0

6/26/2024



# DON'T WAIT! REGISTER NOW!

Register your product within 30 days to ensure your bathtub is recognized as an official purchase and is eligible for warranty coverage.

Mail in the completed registry card (Pg. 2) or register online at <https://register.anzzihome.com/register/>.

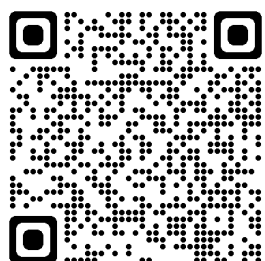


# PRODUCT REGISTRATION\*

**IMPORTANT:** Warranty will not be recognized unless product is registered.

**We offer two options to register your product.**

- 1. **Register online at <https://register.anzzihome.com/register/>** or Scan the QR code below. Registering online is fast, secure, and ensures we receive your information.



- 2. **Complete, cut out, and mail the registration card below.** Returning this registration card will ensure your product's warranty and allow us to process any warranty claims.

**Mail the card to: 5701 NW 35 Avenue, Miami, FL 33142**



Product Registration Card

Name ..... Address .....

City ..... State ..... Zip .....

Phone ..... Email.....

Date of Purchase.....

Installer's Name ..... Phone .....

I have read the Owner's Manual carefully and understand and agree that any installation, operation or maintenance of the bathtub must be done strictly in accordance with instructions and guidelines contained in the owner's manual and installation guide.

Signature \_\_\_\_\_ Date \_\_\_\_\_

# ANZZI®

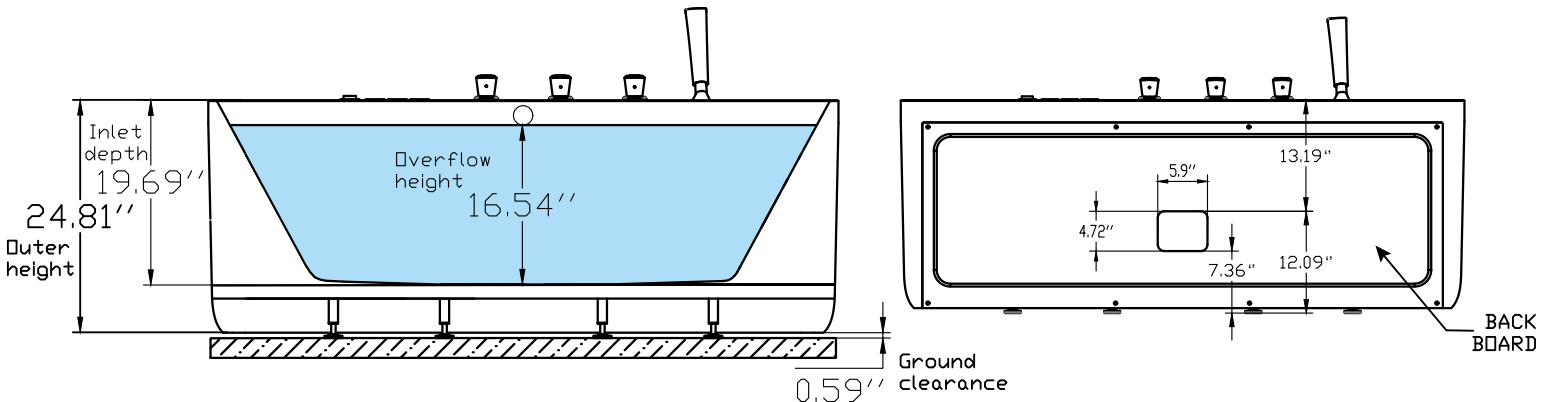
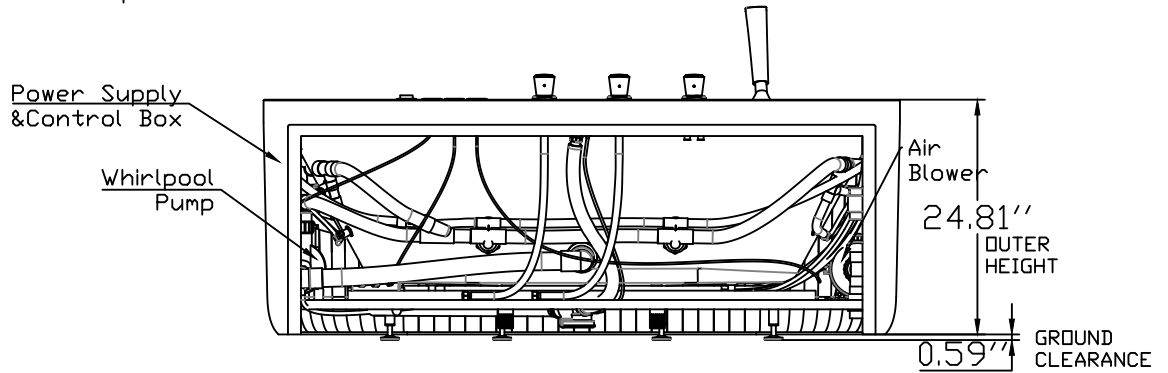
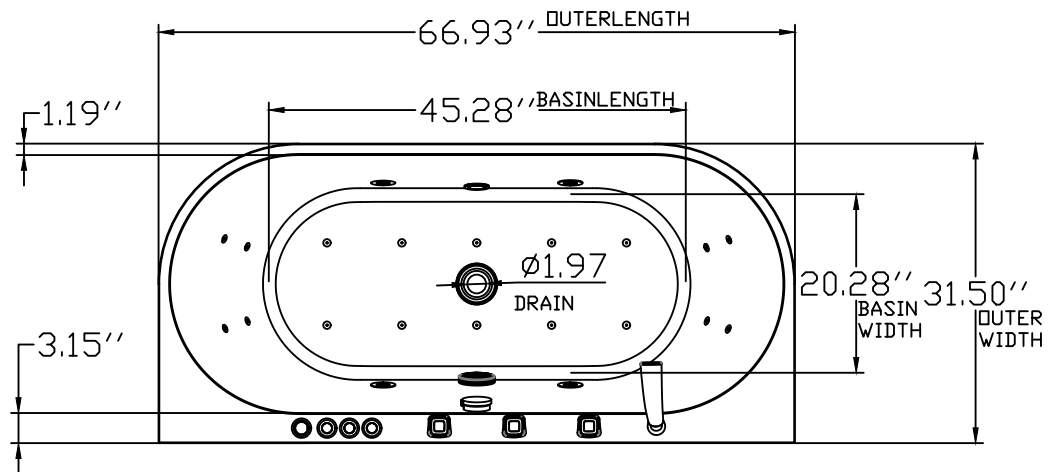


## FT-AZ514

### WHIRLPOOL AND AIR JETTED FREESTANDING BATHTUB

**INCLUDES:**

- AERO-THERAPEUTIC BUBBLE MASSAGE SYSTEM
- HYDROMASSAGE SYSTEM
- ONE CHROMA-THERAPEUTIC BATHING LIGHT



Have questions? Call us at 305-614-4070 or visit us at [www.ANZZI.com](http://www.ANZZI.com)



## ***SAVE THIS MANUAL!***

READ THESE INSTRUCTIONS COMPLETELY BEFORE INSTALLING THE PRODUCT. FAILURE TO DO SO COULD RESULT IN AN IMPROPER INSTALLATION AND COULD VOID THE WARRANTY.

### **RESPONSIBILITY OF THE INSTALLER!**

THE INSTALLER MUST INSPECT AND WATER TEST THE PRODUCT PRIOR TO INSTALLATION TO ENSURE THE UNIT IS FREE OF DEFECT OR DAMAGE. IN THE EVENT OF A PROBLEM, THE UNIT MUST NOT BE INSTALLED. IF THE CRATE OR THE PRODUCT HAS BEEN DAMAGED DURING SHIPPING, PLEASE CALL US IMMEDIATELY.

### **THIS PRODUCT MUST BE INSTALLED BY A LICENSED/CERTIFIED CONTRACTOR!**

LICENSED PLUMBERS AND ELECTRICIANS SHOULD BE EMPLOYED TO INSURE PROPER INSTALLATION. INSTALLERS ASSUME ALL LIABILITY FOR THE CORRECT INSTALLATION PROCEDURES. ONLY ACCESSORIES AUTHORIZED BY THE MANUFACTURER SHOULD BE USED WITH THIS PRODUCT.

**WARNING!** WHEN USING THIS PRODUCT, BASIC PRECAUTIONS SHOULD ALWAYS BE FOLLOWED. READ AND FOLLOW ALL INSTRUCTIONS PERTAINING TO RISK OF FIRE, ELECTRICAL SHOCK, AND/OR OTHER INJURIES.

**REPORT DAMAGES RIGHT AWAY!** REPORT ANY DAMAGE TO THE BATHTUB WITHIN 5 BUSINESS DAYS. ANY DAMAGE DONE BEYOND THAT WILL BE ASSUMED TO HAVE HAPPENED DURING OR AFTER THE INSTALLATION.

**TEST THE TUB BEFORE INSTALLATION!** BEFORE PERMANENTLY INSTALLING THE BATHTUB, YOUR INSTALLER MUST TEST THE TUB. FILL THE BATHTUB WITH WATER, PLUG IN THE TUB AND POWER IT ON. RUN THE LIGHT, WATER JETS AND AIR JETS. ALSO, INSPECT FOR ANY LEAKING. ONLY IF THERE ARE NO SIGNS OF MALFUNCTION OR LEAKAGE SHOULD YOU PROCEED TO PERMANENTLY INSTALL THE UNIT.

**LEVEL THE TUB AND AVOID LEAKAGE!** CHECK THE AREA PRIOR TO INSTALLATION. USE THE TUB'S ADJUSTABLE FEET TO ENSURE THE BATHTUB IS PERFECTLY LEVEL. IT IS ESSENTIAL THAT ALL THE FEET ARE TOUCHING THE FLOOR/SURFACE. AN UNLEVELED TUB WILL RESULT IN LEAKAGE.

**DO NOT RUN JETS WITH NO WATER!** DO NOT ACTIVATE THE MASSAGE SYSTEM UNLESS THE TUB IS AT LEAST FILLED WITH WATER TO APPROXIMATELY 1.5" (38MM) ABOVE THE JETS.

**DO NOT DRILL ANY HOLE ON BACKBOARD WHEN BACK BOARD IS ON TUB !** IF IT IS NECESSARY TO DRILL HOLES IN THE BACKBOARD FOR INSTALLATION NEEDS, YOU MUST DISASSEMBLE THE BACKBOARD FROM THE TUB, AND SET THE BACKBOARD ON 4X4 PIECES OF LUMBER TO DRILL HOLES. **CAUTION:** FAILURE TO DO SO MAY DAMAGE THE TUB AND COULD RESULT LEAKAGE. IMPROPERLY DRILLING THE HOLES IS NOT COVERED UNDER THE WARRANTY



## SAFETY INSTRUCTIONS

READ THESE INSTRUCTIONS COMPLETELY BEFORE INSTALLING THE PRODUCT. FAILURE TO DO SO COULD RESULT IN AN IMPROPER INSTALLATION AND COULD VOID THE WARRANTY.

IMPORTANT SAFETY INSTRUCTIONS. INSTRUCTIONS IMPORTANTES RELATIVES A LA SECURITE.

READ AND FOLLOW ALL INSTRUCTIONS. LIRE ET SUIVRE TOUTES LES INSTRUCTIONS.

SAVE THESE INSTRUCTIONS. CONSERVER CES INSTRUCTIONS.

**WARNING:** RISK OF ACCIDENTAL INJURY OR DROWNING; CHILDREN SHOULD NOT USE HYDROMASSAGE BATHTUB WITHOUT ADULT SUPERVISION. **AVERTISSEMENT.** RISQUE DE BLESSURE ET DE NOYADE. NE PAS LAISSER UN ENFANT UTILISER LA CUVE A REMOUS EN L'ABSENCE D'UN ADULTE

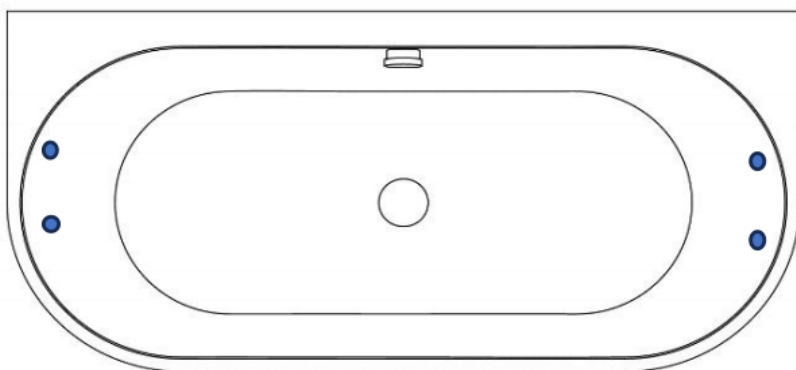
**WARNING:** TO AVOID INJURY, EXERCISE CARE WHEN ENTERING OR EXITING THE HYDROMASSAGE BATHTUB. **AVERTISSEMENT.** POUR EVITER LES BLESSURES, USER DE PRUDENCE EN ENTRANT DANS LA CUVE A REMOUS ET EN LA QUITTANT.

**WARNING:** RISK OF ELECTRIC SHOCK; DO NOT PERMIT ELECTRIC APPLIANCES (SUCH AS A HAIR DRYER, LAMP, RADIO, TELEPHONE OR TELEVISION) WITHIN 1.5 YARDS OF THIS HYDROMASSAGE BATHTUB. **AVERTISSEMENT.** RISQUE DE CHOCELECTRIQUE. NE PAS PLACER D'APPAREILS ELECTRIQUES (LUMINAIRE, TÉLÉPHONE, RADIO, TELEVISEUR, ETC.) A MOINS DE 1.5 M DE CETTE CUVE A REMOUS.

**CAUTION:** TEST THE GROUND FAULT CIRCUIT INTERRUPTER PROTECTING THIS APPLIANCE PERIODICALLY IN ACCORDANCE WITH THE MANUFACTURER'S INSTRUCTIONS. **ATTENTION.** VERIFIER REGULIEREMENT LE FONCTIONNEMENT DU DISJONCTEUR DE FUITE A LA TERRE CONFORMEMENT AUX INSTRUCTIONS DU FABRICANT.

**CAUTION:** MAGNETIC BATH PILLOWS MAY HAVE ADVERSE EFFECTS ON CARDIAC PACEMAKER USERS.

● This mark is the magnet position



Pillow

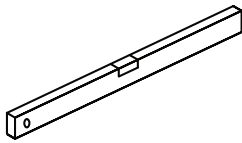
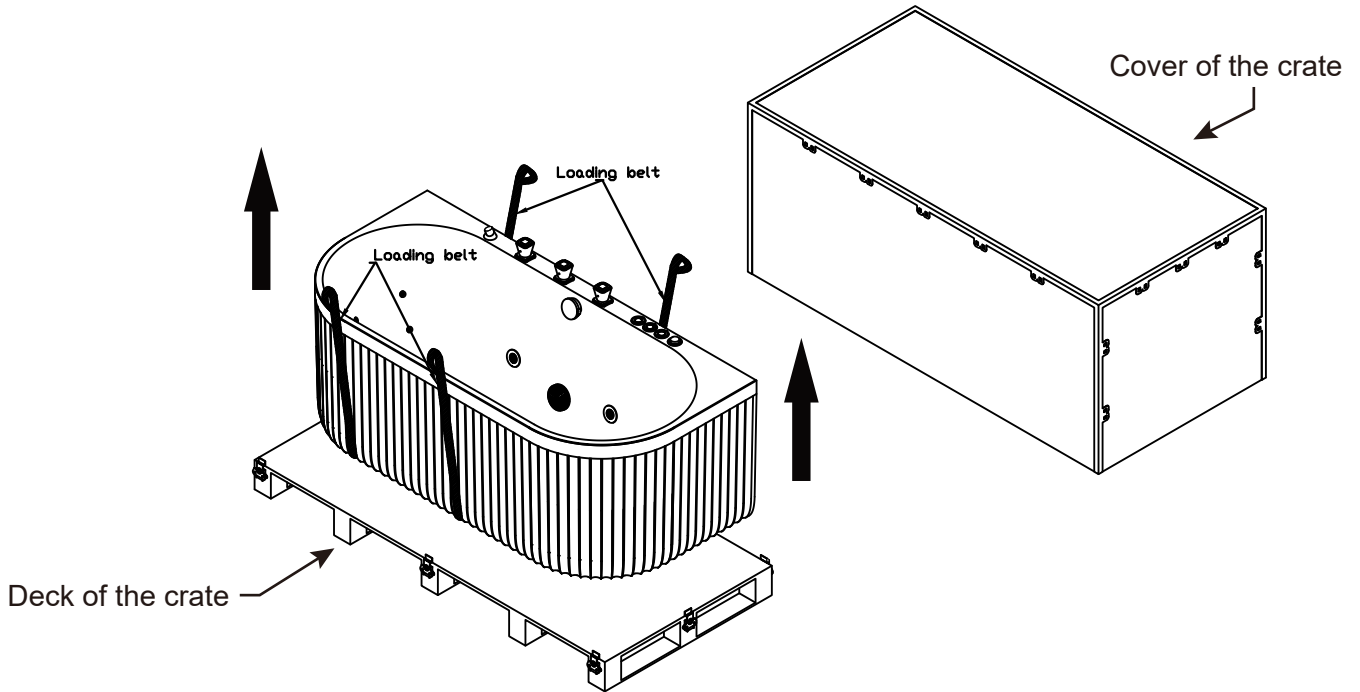


Comment: Pillow can be placed on either side of tub.

# ANZZI®

## UNPACK THE BATHTUB

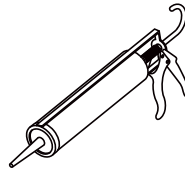
REMOVE THE BATHTUB FROM THE CRATE AND PREPARE THE FOLLOWING TOOLS.



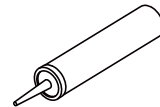
Level



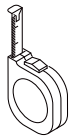
Adjustable Wrench



Caulk Gun



Caulk





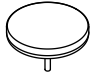

Tape Measure



Marker Pen



Teflon Tape

Accessories			
			
1pc Shower head	1pc Pillow	1pc drain cover	1pc Hexagonal Wrench



*\* All bathtubs are 100% water tested at the factory and certified to be free of leaks. Transportation and mishandling may cause leaks. It is necessary to test the bathtub while there is access to all sides of the bathtub.*

## **TEST THE BATHTUB WHILE YOU HAVE ACCESS TO THE BOTTOM AND BEFORE PERMANENTLY INSTALLING.**

### **READ AND FOLLOW ALL INSTRUCTIONS**

- Place the tub on a completely flat surface in an area where it may be drained after testing.
- Close the drain and fill the tub with water to approximately 1.5”(38mm) above the jets .
- Plug the unit in to a power outlet and run for 10-15 minutes, check the functions and for leaks.
- Turn off the power, allow the water to stand in tub for 30 minutes and then inspect all plumbing and seals for leaks.

**NOTE: IF THE PUMPS DO NOT OPERATE, CHECK THE BREAKER TO ENSURE POWER IS ON AND THE CABLE CONNECTING THE CONTROLS TO THE PUMP IS ATTACHED.**

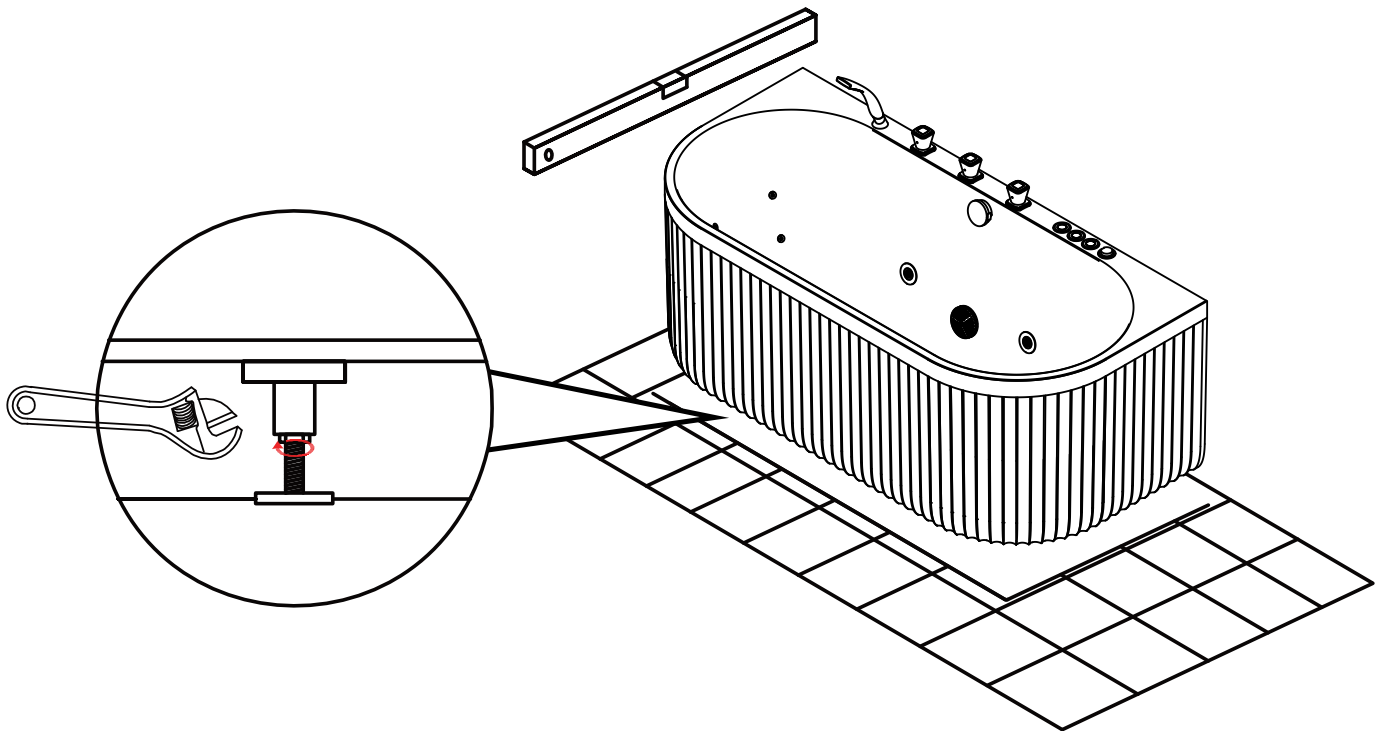
**WARNING! DO NOT RUN THE PUMP UNLESS THE TUB IS FILLED WITH WATER TO PROPER LEVEL. DAMAGE DUE TO DRY RUNNING PUMP IS NOT COVERED UNDER WARRANTY. FAILURE TO PERFORM THESE TESTS BEFORE INSTALLATION WILL MAKE THE INSTALLER LIABLE FOR FUTURE REPAIR COSTS.**



## INSTALLING THE BATHTUB

1. MOVE THE BATHTUB TO THE SELECTED INSTALLATION POSITION, (MAKE SURE THAT THE FLOOR SURFACE CAN SUPPORT THE LOAD CAPACITY), AND PLACE IT IN THE PROPER (OR DESIRED) ORIENTATION. THEN USE A LEVEL TO ENSURE THE TUB SURFACE IS LEVEL. IF NOT, LIFT ONE END OF THE BATHTUB, AND LOOSEN THE ADJUSTING NUT ON THE TUB FOOT AS SHOWN IN THE FIGURE. AFTER ADJUSTING THE LEVELING FOOT TO A SUITABLE POSITION, THEN TIGHTEN SECURING NUT.

**WARNING:** MAKE SURE THE TUB IS PERFECTLY LEVEL TO PREVENT LEAKAGE. USE THE ADJUSTABLE LEVELING FEET TO ENSURE A LEVEL TUB. ALL LEVELING FEET MUST MAKE CONTACT WITH THE FLOOR / SURFACE.



2. PULL THE HOT LABELED HOSE ,THE COLD LABELED HOSE AND POWER CORD OF TUB OUT FROM THE HOLE OF BACKBOARD. (REFER TO FIGURE A, FIGURE B)

OPTION: DEPENDING ON YOUR INSTALLATION NEEDS, DISASSEMBLE THE BACKBOARD WITH THE HEXAGONAL WRENCH PROVIDED, PULL THE HOT LABELED HOSE, COLD LABELED HOSE, AND POWER CORD OF TUB OUT FROM THE BOTTOM OF TUB. (REFER TO FIGURE C, FIGURE D)

**PLEASE REMEMBER THAT THE TUB CAN BE INSTALLED WITH OR WITHOUT BACKBOARD.**



# ANZZI®

## INSTALLING THE BATHTUB

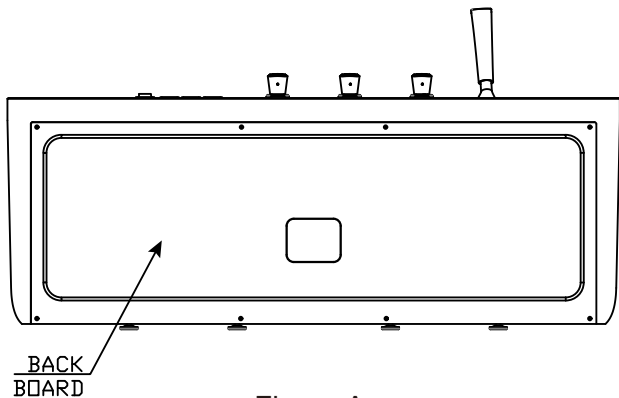


Figure A

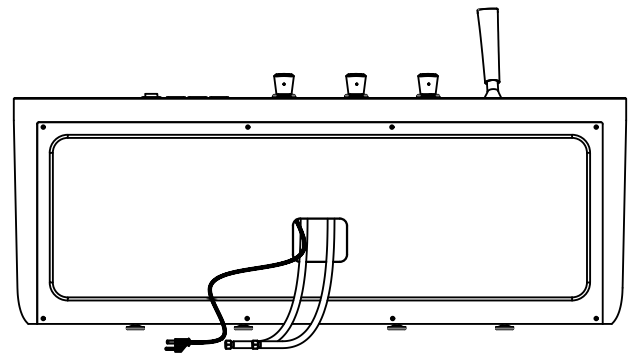


Figure B

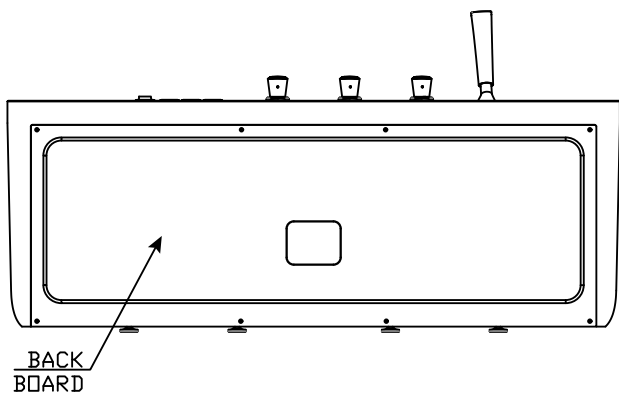


Figure C

Hexagon  
Wrench  
included

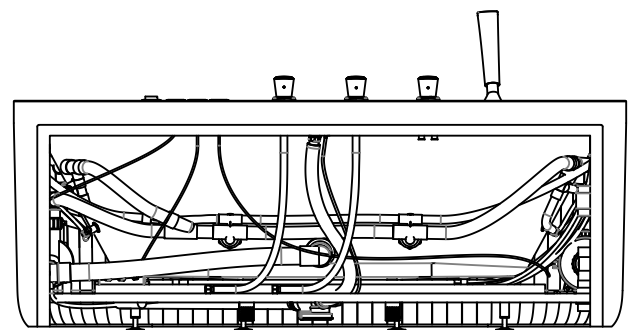


Figure D

3. PLACE THE PROVIDED FLEXIBLE DRAIN HOSE INTO THE FLOOR DRAIN. SEAL THE CONNECTION BY USING A PVC PIPE SEALANT TO JOIN THE PARTS TOGETHER. PLEASE NOTE, THE FLEXIBLE HOSE IS A BASIC WAY THAT WE PROVIDE TO CONNECT TO THE END PLUMBING IN A HOME. THE PLUMBING INSTALLATION IN EVERY HOME IS DIFFERENT, SO PLEASE CONSULT WITH A CERTIFIED PLUMBER TO SEE IF THE PLUMBING IN YOUR HOME IS COMPATIBLE WITH USING A BASIC FLEXIBLE HOSE.
4. CONNECT THE HOT LABELED HOSE TO THE HOT WATER SUPPLY, COLD LABELED HOSE TO THE COLD WATER SUPPLY. TIGHTEN THE NUTS WITH WRENCH. DO NOT OVER TIGHTEN. REMOVE THE SHOWER HEAD FROM ITS PACKAGING AND CONNECT IT TO THE SHOWER HOSE. MAKE SURE THERE ARE NOT ANY LEAKS.



## INSTALLING THE BATHTUB

5. PLUG IN THE POWER CORD INTO THE GFCI PROTECTED OUTLET. CONNECT THE DRAIN LINE TO THE TUB DRAIN USING TEFLON TAPE.

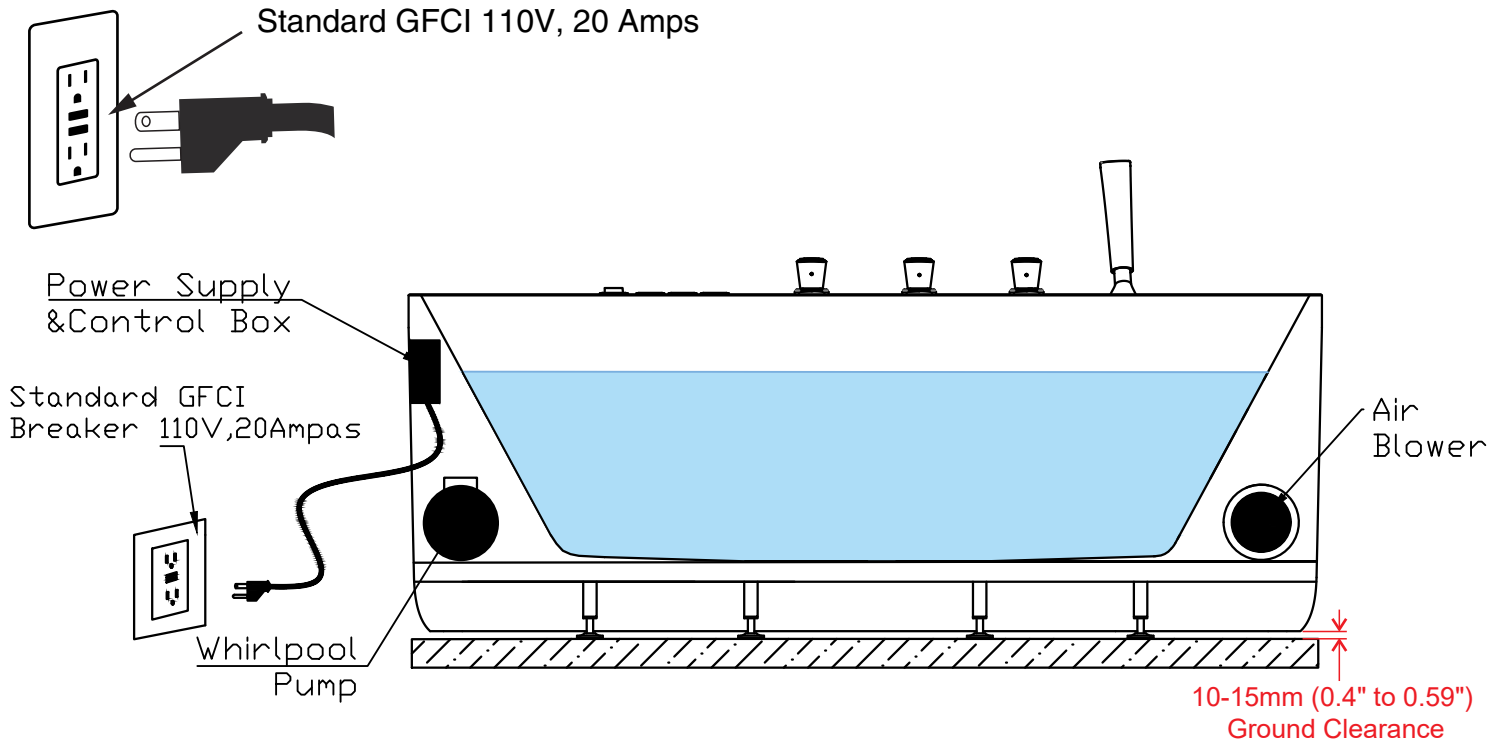


### ELECTRICAL REQUIREMENTS FOR WHIRLPOOL & AIR JETTED BATHTUB

THE UNIT MUST BE CONNECTED ONLY TO A SUPPLY CIRCUIT THAT IS PROTECTED BY A GROUND-FAULT CIRCUIT INTERRUPTER (GFCI). SUCH A GFCI SHOULD BE PROVIDED BY THE INSTALLER.

1. ONE (1) DEDICATED 20AMP 110V GFCI BREAKER IS REQUIRED.

#### INCOMING POWER

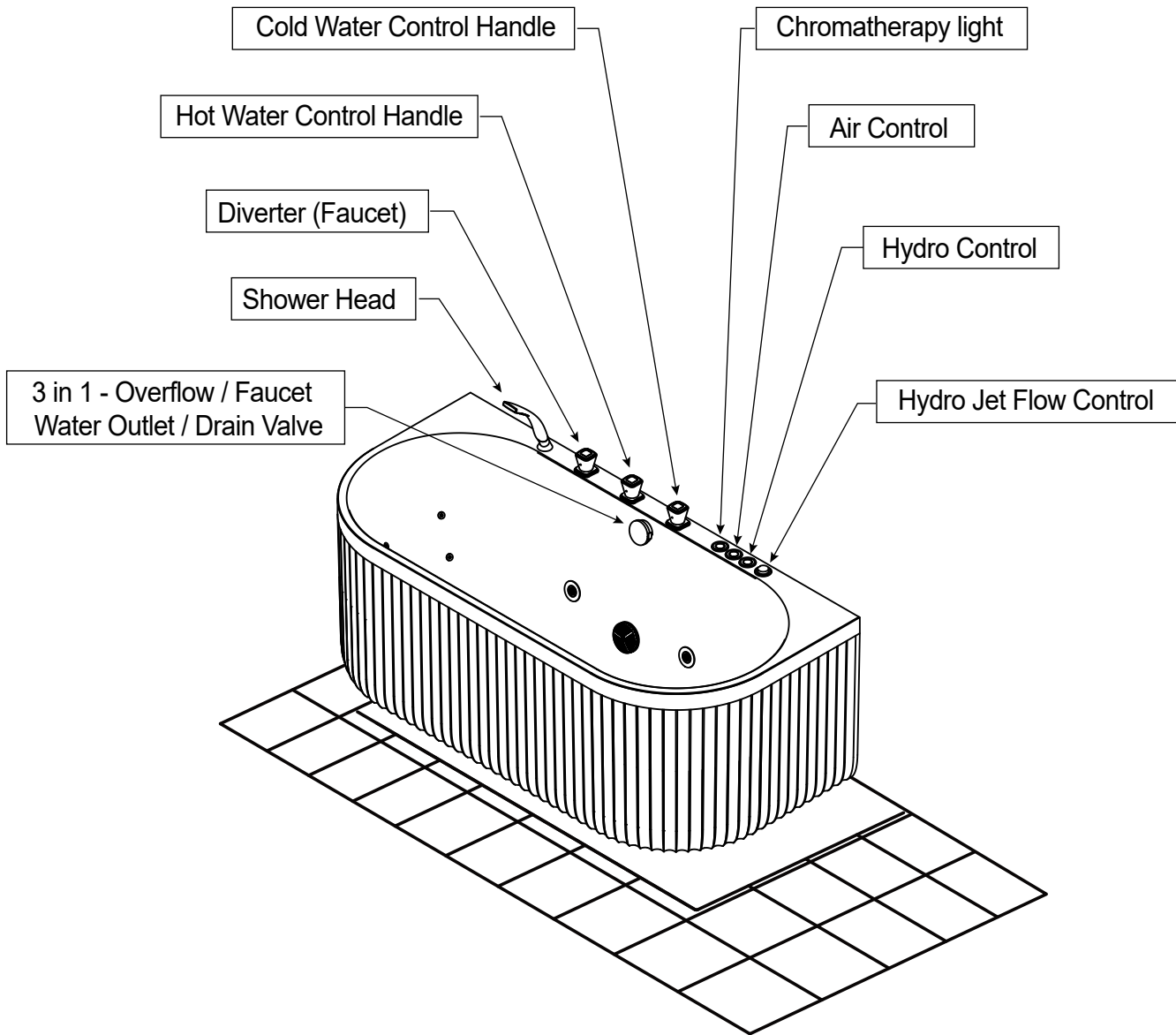


**CAUTION: DO NOT APPLY ANY SILICONE SEALANT AFTER INSTALLATION, LEAVE A 0.4" TO 0.59"(10-15MM) GAP FOR MOTOR/PUMP VENTILATION PURPOSES.**

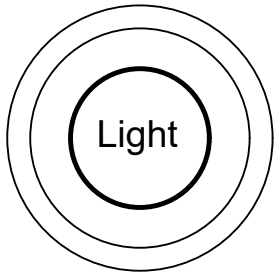


## FILL THE BATHTUB

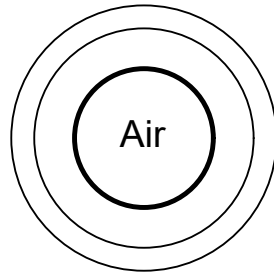
FINALLY FILL THE BATHTUB WITH WATER. REMEMBER TO ONLY RUN THE MASSAGE SYSTEM WHEN THE TUB IS FILLED WITH THE PROPER AMOUNT OF WATER.



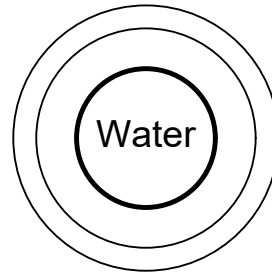
## OPERATING GUIDE



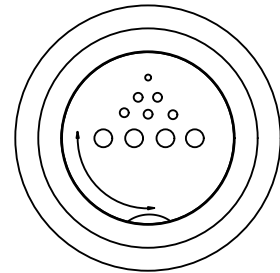
**CHROMATHERAPY LIGHT**



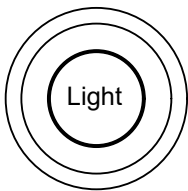
**AIR CONTROL (BLOWER)**



**HYDRO CONTROL (PUMP)**



**HYDRO JET FLOW CONTROL**



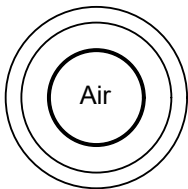
### **CHROMATHERAPY LIGHT**

**PRESS ONCE (when light is OFF)** - Turns light ON in Auto Cycle Mode which will slowly transition from color to color.

**PRESS TWICE (when light is ON)**- Turns on static, non-changing color mode. Continue to press twice to move on to the next color until you find your desired choice.

**PRESS ONCE (when light is ON)** - Turns off light. Resets cycle after 2 second pause.

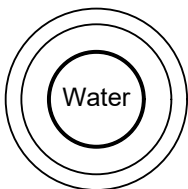
FOR TUBS WITH CHROMATHERAPY LIGHT OPTION.



### **AIR CONTROL (BLOWER)**

Used to turn the air jets **ON** and **OFF**.

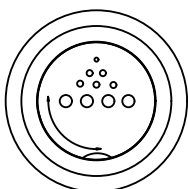
FOR TUBS WITH AIR JET OPTION.



### **HYDRO CONTROL (PUMP)**

Used to turn the water jets **ON** and **OFF**.

FOR TUBS WITH WATER JET OPTION.

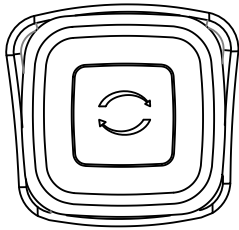


### **HYDRO JET FLOW CONTROL**

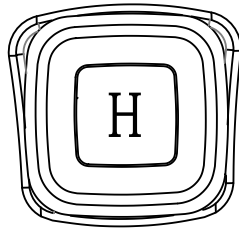
Used to increase or decrease air pressure flowing through the water jets.

FOR TUBS WITH HYDRO JET OPTION.

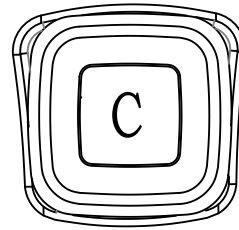
## OPERATING GUIDE



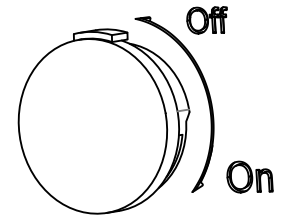
**DIVERTER  
(FAUCET)**



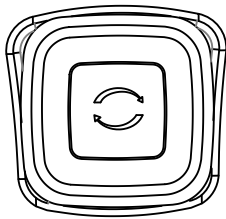
**HOT WATER CONTROL  
HANDLE (FAUCET)**



**COLD WATER CONTROL  
HANDLE (FAUCET)**

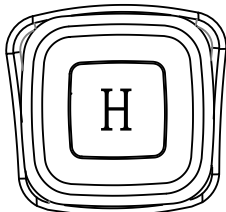


**3 IN 1 - OVERFLOW  
/ FAUCET WATER OUTLET  
/ DRAIN VALVE**



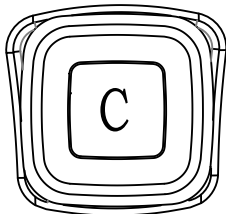
### **DIVERTER**

Used to divert water to shower head or tub.



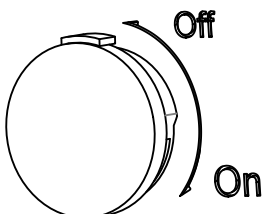
### **HOT WATER CONTROL HANDLE**

Used to increase or decrease hot water.



### **COLD WATER CONTROL HANDLE**

Used to increase or decrease cold water.



### **3 IN 1 - OVERFLOW / FAUCET WATER OUTLET / DRAIN VALVE**

Used to control water overflow; rotate to turn on /turn off water; rotate to control water drain open / close.

# CARE AND CLEANING

- Most dirt will wash off with mild soap period Rinse thoroughly with warm water immediately and wipe dry with soft cloth.
- For tough dirt spots, use liquid dish washing soap or non-chlorine bleach.
- Do not use abrasive material such as steel wool or scouring pads to clean the surface.
- Always test the cleaning solution on a small area before using it on the entire surface.
- Do not allow cleaning solution to soak on the surface.

# TROUBLESHOOTING

## PROBLEM

## SOLUTION

Pump not starting

Check wiring; Check the on/off switch; Check water level; Reset GFI at outlet.

Pump humming but not priming

Air trapped in line; Check for clogged jets. Add water, may have to open top union.

Pump not moving water

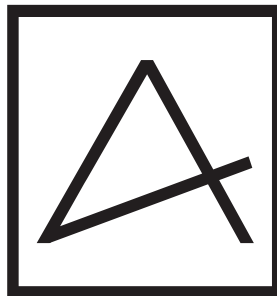
Possible obstruction in impeller. Possible frozen clutch (requires replacement).

No jet pressure

Clogged jet; air control not open; jet not open; missing part in jet.

Leak in plumbing

Call Tech Service: 305-614-4070



**ANZZI®**