

SPEAKMAN COMPANY

SE-575-DP Installation, Maintenance & Operation Instructions

EYESAVER® EYE/FACE WASH

DESCRIPTION

Barrier-Free wall mounted emergency eye/face wash with drain pan for draining water. Unit supplied with plastic spray heads, with individual flow restrictors. Unit activated by pulling handle down to open position, and is supplied with a cabinet flush with wall to keep corridors free from obstruction.

SPECIFICATIONS

SPRAY HEADS: (2) ABS Plastic Non-Aerated.
 VALVE: Brass, Chrome-Plated.
 ACTIVATOR HANDLE: Black Nylon Plastic.
 INLET: 1/2" NPT Female.
 DRAIN: 1-1/4" Brass Tube
 CABINET & DRAIN PAN: Stainless Steel with Satin Finish.
 SHIPPING WEIGHT: 17 lb.

OPTIONS & ACCESSORIES

◇ AL3 (Electrical Alarm)	◇ FLW (Flow Switch)
◇ AL2-C1D2 (Electrical Alarm / Haz. Area)	◇ PT (P-Trap)
◇ AL3-C1D2 (Electrical Alarm / Haz. Area)	◇

INSTALLATION

Review configuration of unit as shown in figure #1 and the rough in below to understand proper configuration before installing this unit. Once desired location is known, measure the back portion of cabinet that will be recessed in wall, or use minimum cut out dimensions shown in figure #1, and cut rough opening in wall to those measurements, making sure there are suitable structures (stud, etc.) on each side for securing the cabinet. Making sure unit is level, and use appropriate wall anchors (4) to secure unit to wall. Connect a water supply to the unit that is a 1/2" minimum uninterrupted source of potable water. Failure to use potable water can result in emergency units producing impure or contaminated water causing possible further injury. The drain tailpiece or waste should be connected to an adequate drain in compliance with local and/or national plumbing codes.

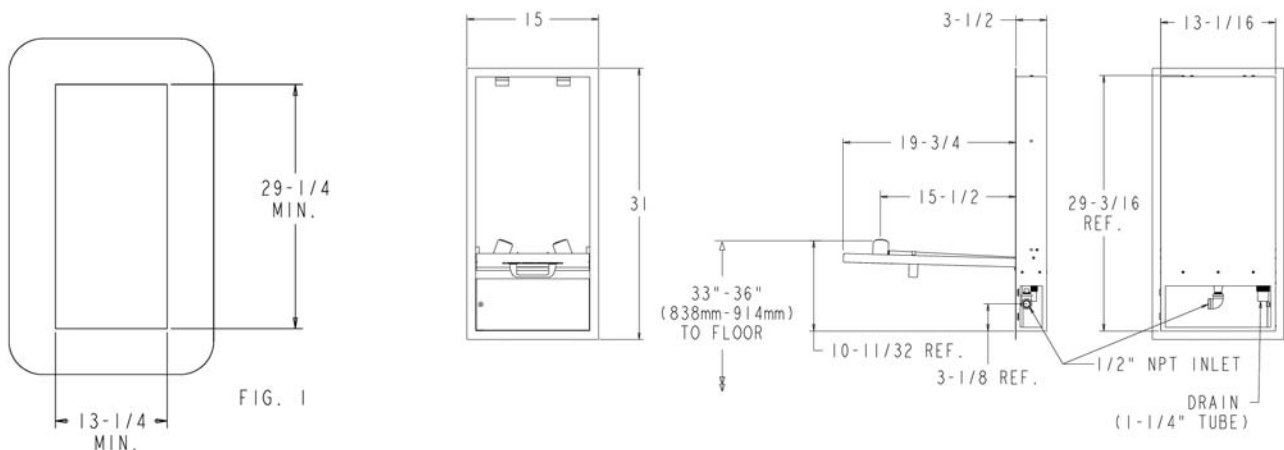


FIGURE 1

ROUGH IN

OPERATION

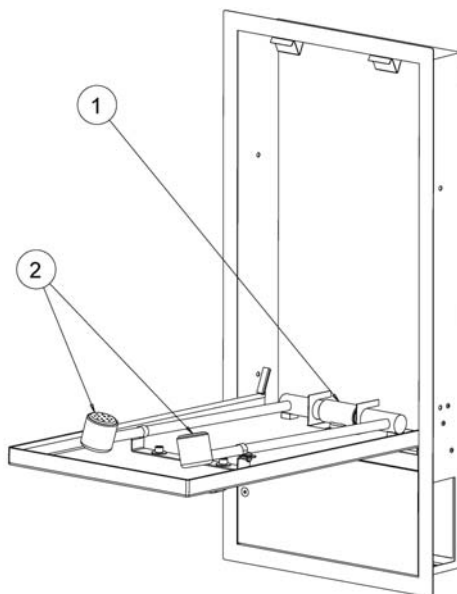
The eye/face wash is activated by pulling the handle down 90°. Once the unit is activated, water will discharge from the spray outlets until the arms & drain pan are manually pushed back to the off position.

TESTING PROGRAM

The American National Standards Institute (ANSI) states that all safety emergency equipment shall be activated on a weekly basis to flush the line and verify proper operation. Speakman Company furnishes a testing record tag (91-0635) with each unit. On this tag the date of inspection and the inspector's initials should be noted.

MAINTENANCE

The valve, eye/face wash and strainer assembly are the only portions of the unit that may require maintenance. Should you need parts to repair this unit, please reference the parts listing below for the correct part numbers. Before any maintenance is done **be sure to shut the water supply off.**



SE-575-DP REPLACEMENT/REPAIR PARTS

<u>ITEM</u>	<u>PART/GROUP #</u>	<u>DESCRIPTION</u>
1	RPG20-2010-RCP	Swing Down Eye/Face Wash Valve Assembly
2	RPG38-0417	Non-Aerated Spray Head Assembly
	RPG05-0673	Internal O-rings, Screws for Valve

WARNING: Use only genuine Speakman parts when repairing or replacing components. To order parts call 1-800-537-2107

FLOW DATA

EYEWASH:

FLOW PRESSURE PSI (BAR)	30 (2.07)
FLOW RATE GPM (LPM)	3.9 (15)

Note: All units meet existing ANSI Z358.1 Standards and OSHA Rules. Product improvements may cause specification and dimensional changes without notice.

NOTE: This unit should be connected to an uninterrupted source of potable water, with a minimum flowing pressure of 30 PSI and a maximum static pressure of 125 PSI.

SPEAKMAN®
PO Box 191 Wilmington, DE 19899 Phone: 800-537-2107 Fax: 800-977-2747
Visit us on the web at www.speakmancompany.com