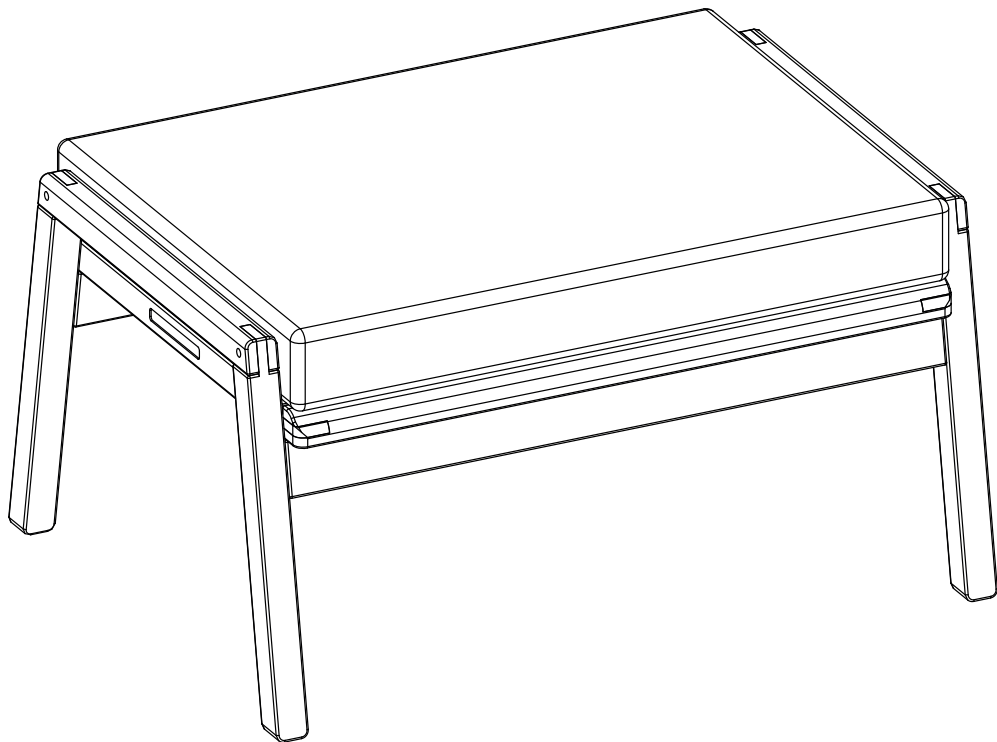


FLEXSTEEL®  
OUTDOOR LIVING



G6300-08

# Ottoman

Assembly instructions

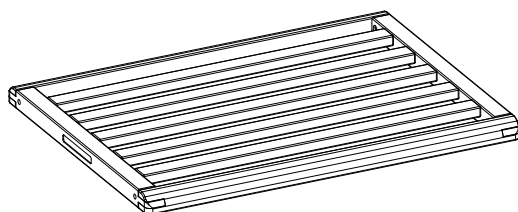
Thank you for bringing Flexsteel furniture to your home.

Below are the step-by-step instructions to assemble your new product. Additionally, we have provided an assembly video that you can access through the QR code to the right.

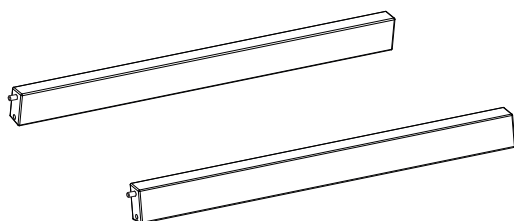
All the parts and tools are included. Let's get started!



## PART LIST:

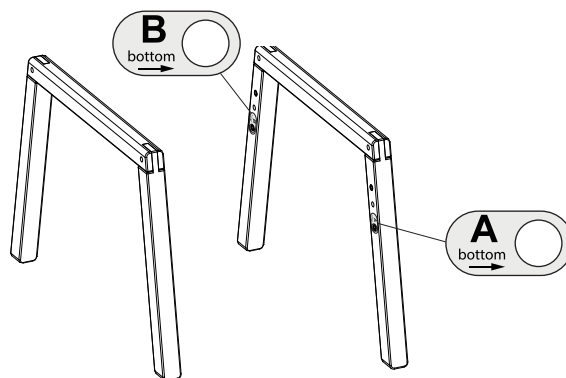


1x seat



1x front slat - with **A** sticker

1x rear slat - with **B** sticker



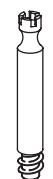
1x left leg (with **A** **B** stickers)

1x right leg (without stickers)

## FITTINGS AND TOOLS:



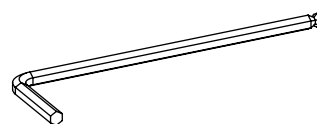
4x screws



4x cam fitting bolts



4x blocking screw



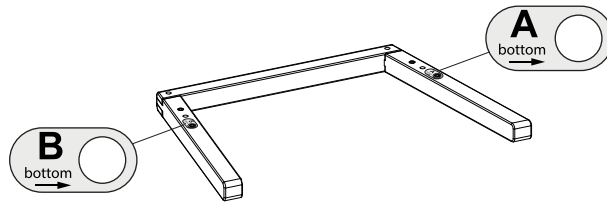
1x hex key with ball ending

**Important Notice:** Solid wood furniture is susceptible to natural contractions with changes in humidity and temperature. For smooth assembly, **avoid fully tightening screws initially**; position them first, then gradually tighten all screws evenly once assembly is near completion.

For your convenience, we've implemented a system of stickers to help you determine the correct orientation of each component. Parts marked with stickers are intended for the left-hand side, assuming you are facing the front of your furniture. Letters **(A)**, **(B)** and **(C)** have been assigned to assist you in identifying the precise location for each part.

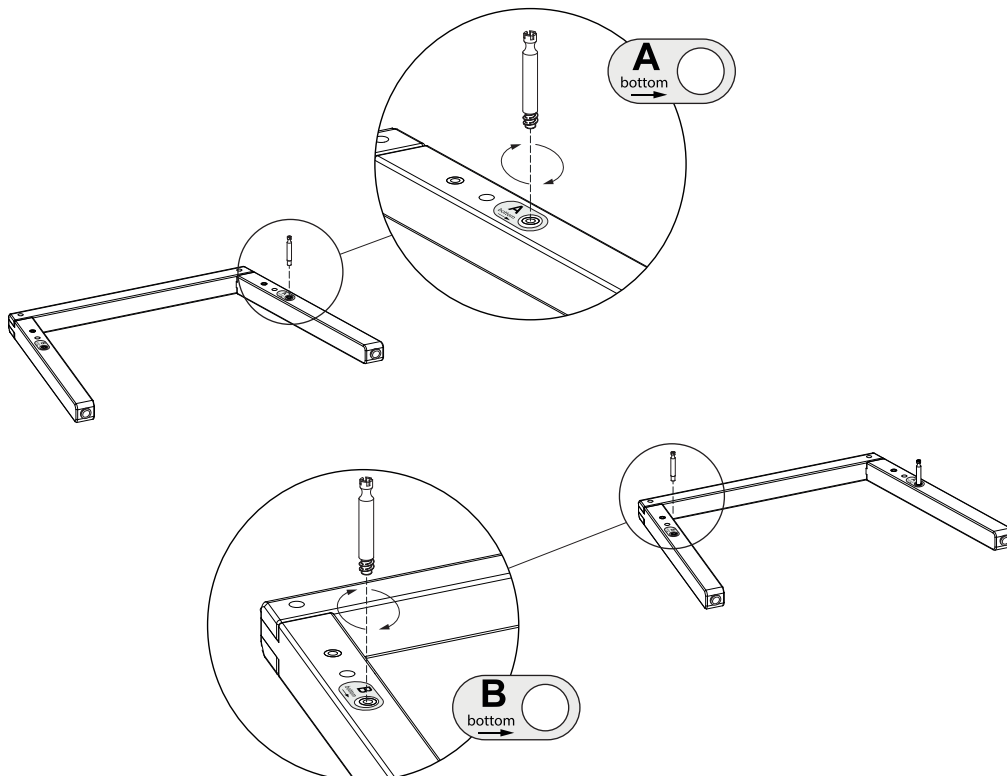
## Step 1

Lay the left leg on its side, ensuring that the pre-drilled holes and the stickers saying **(A)** and **(B)** are facing up. Place it on a secure and stable floor.



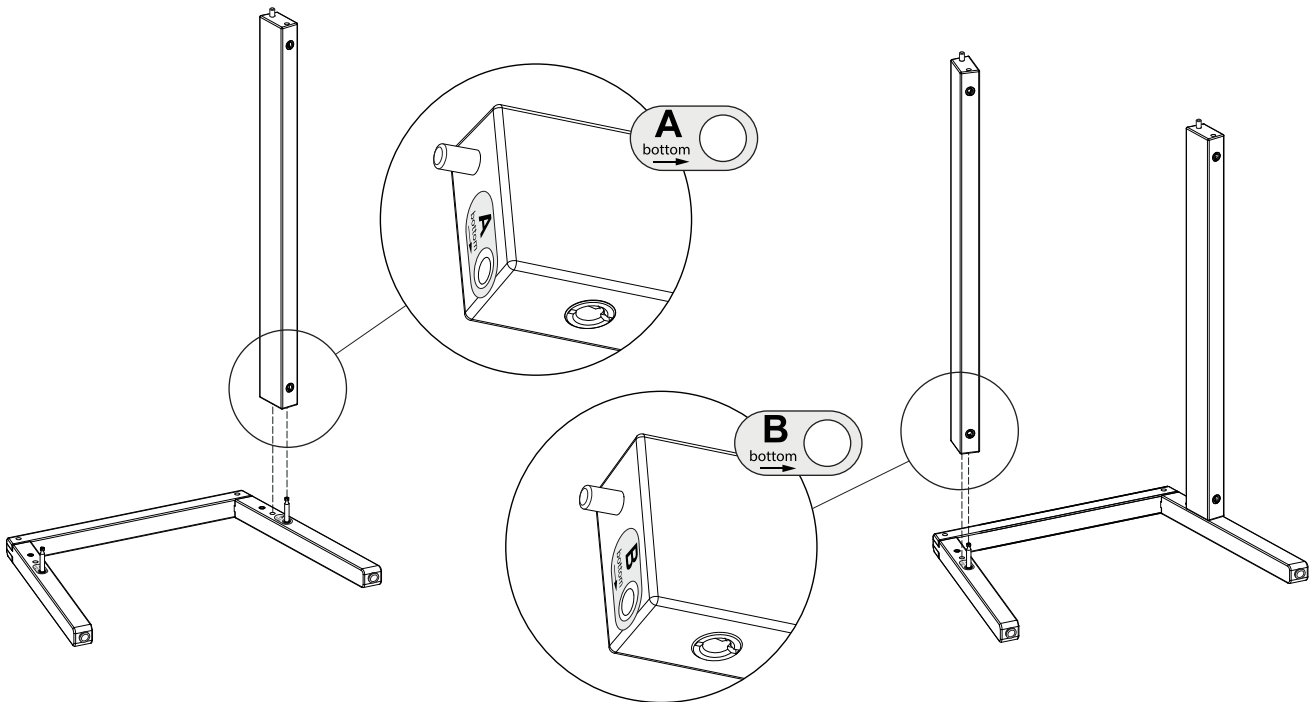
## Step 2

Screw two cam fitting bolts into the holes with metal inserts, which are marked with **(A)** and **(B)** stickers.



### Step 3

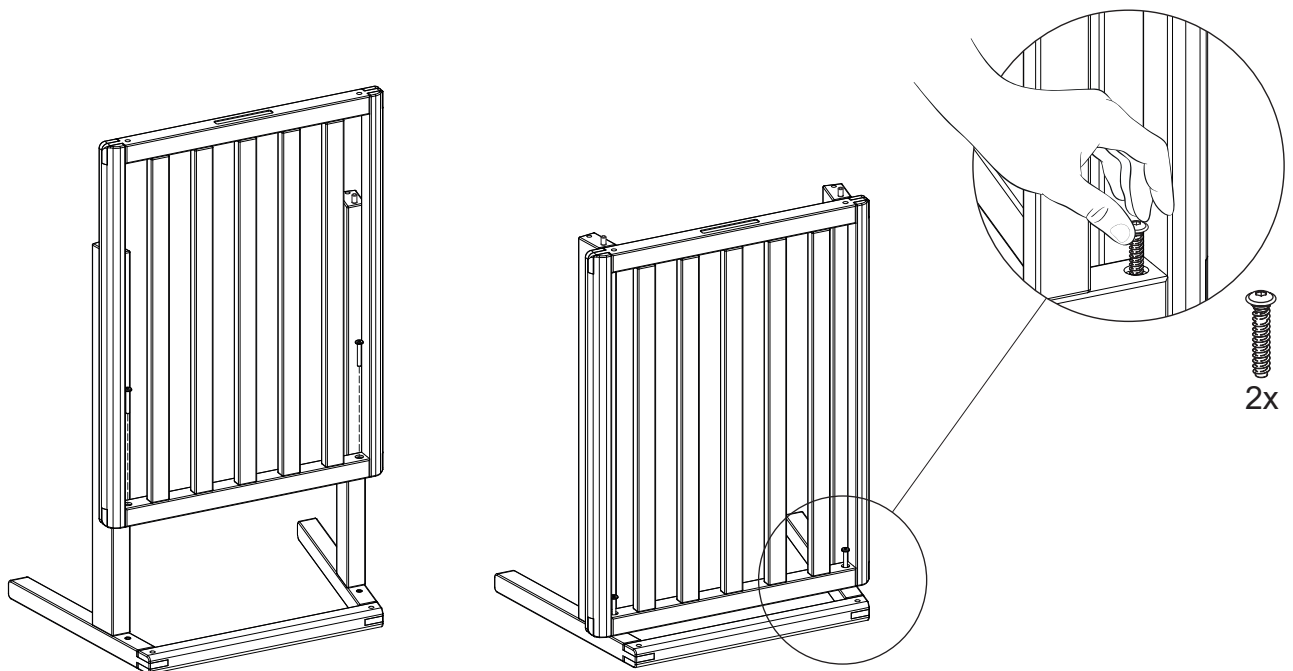
Attach the slats to the leg. Make sure to match the **A** and **B** stickers on the slats with respective stickers on the leg. Mind the arrows on **A** and **B** stickers - they should point toward the bottom of the ottoman.



### Step 4

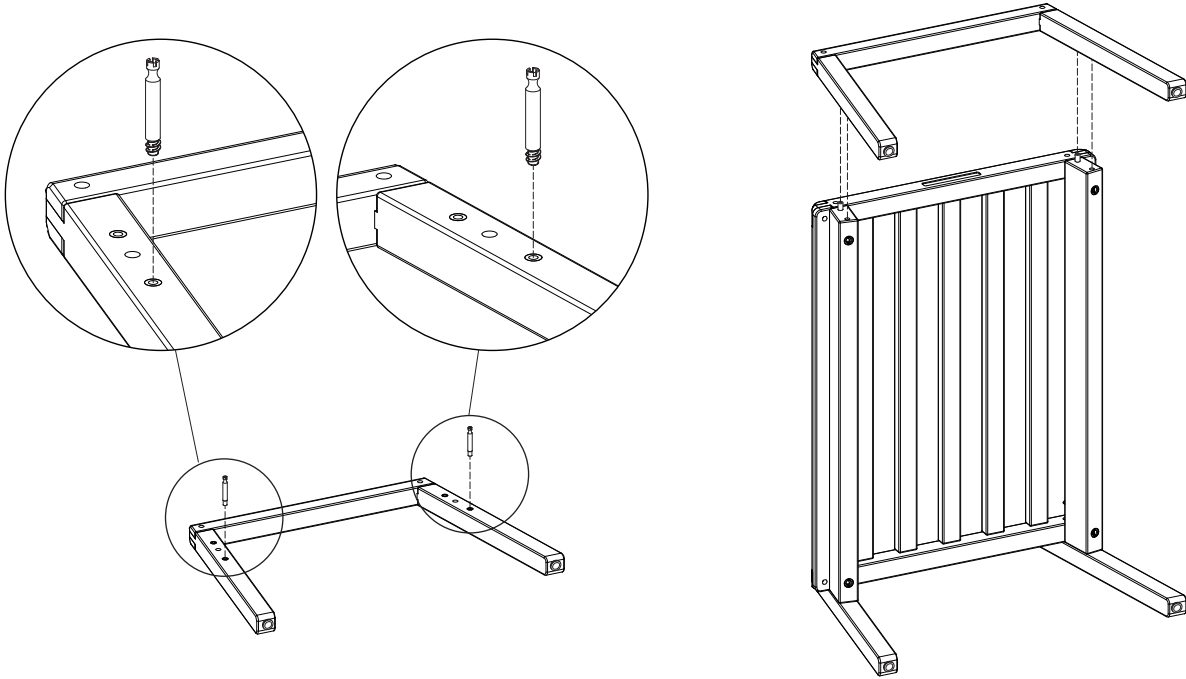
Place the seat part and align it on the left leg.

Attach the seat to the leg using two flathead screws but refrain from tightening them fully at this point; a few turns for each screw are sufficient.



## Step 5

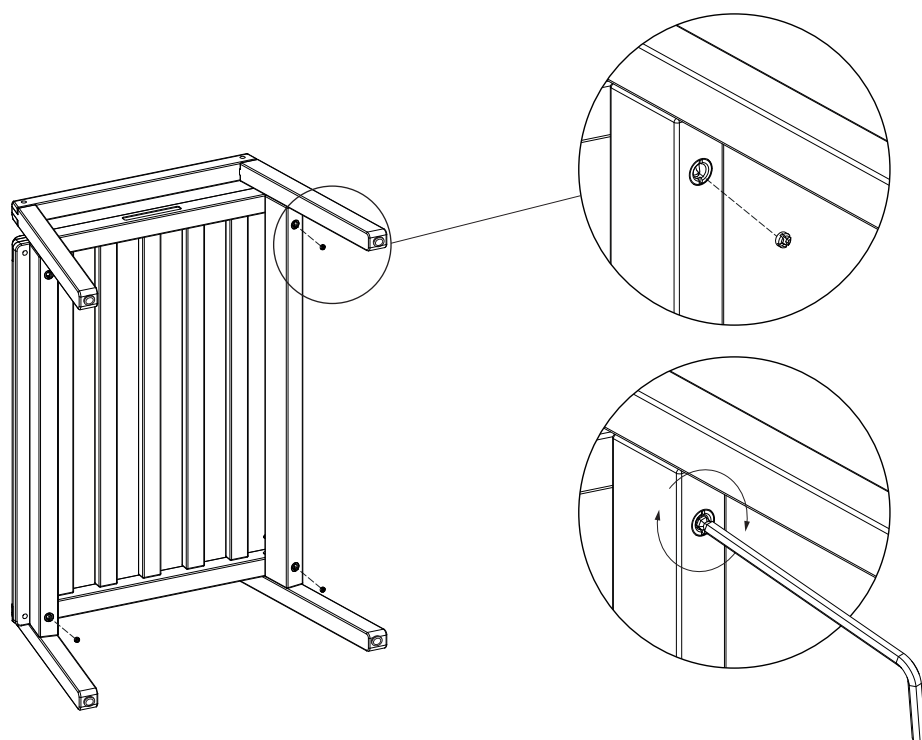
Take the other leg and screw two cam fitting bolts into the bottom-most holes with metal inserts. Position the leg on the parts you already assembled.



## Step 6

Ensure all the parts fit snugly.

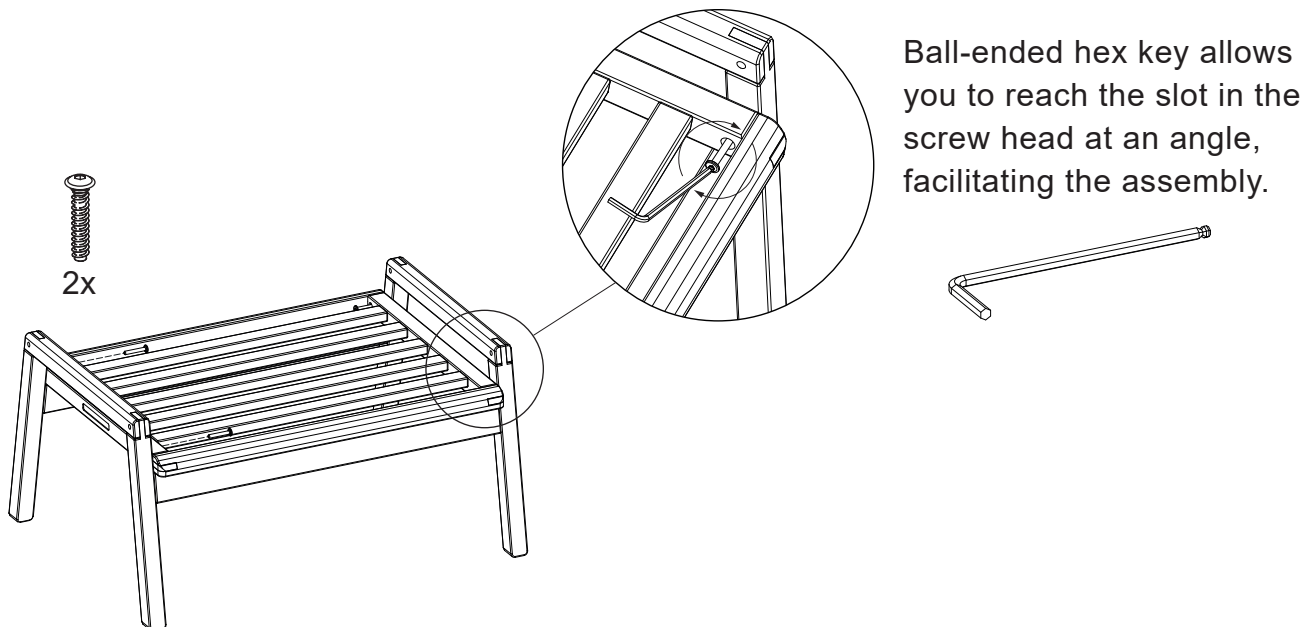
Next, take four blocking screws and install them into the cam fittings of both slats. Tighten them securely using the hex key provided.



## Step 7

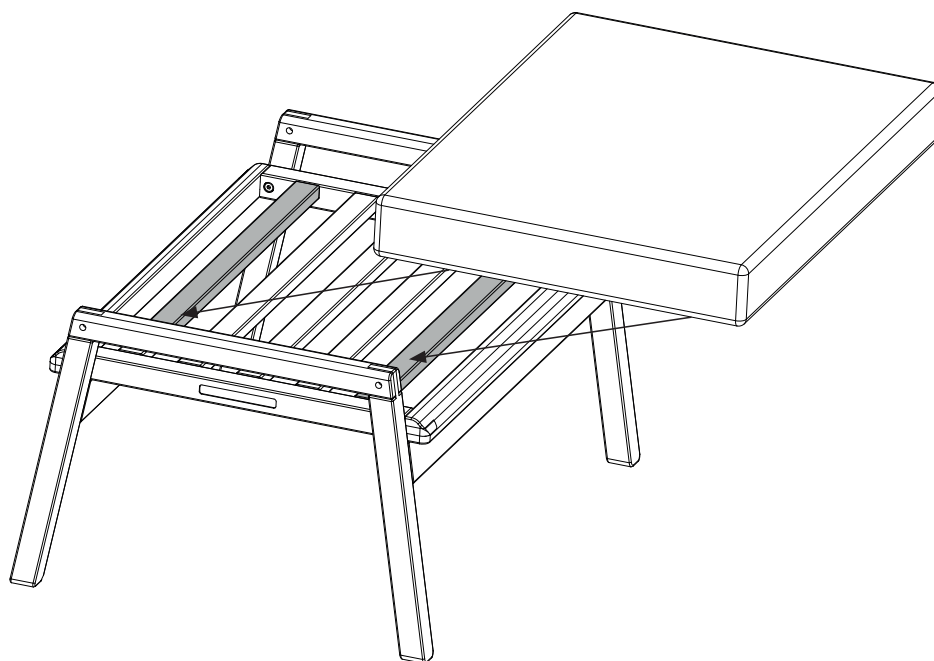
Carefully raise the ottoman into an upright position. Add remaining 2 screws to the right leg, to connect the seat to it. Now, tighten all four flathead screws using the hex key provided.

**Important:** Add a few turns to each screw until they are evenly tightened; avoid tightening them fully one by one.



## Step 8

Attach the cushion (boxed separately) to the frame by fastening the velcro straps to the slats in the locations shown below.



## Product care tips

---

### Cleaning and Maintenance:

- **Regular Cleaning:** Using a damp cloth or sponge, wipe down the ottoman regularly to remove dirt, dust, and other debris.
- **Gentle Cleaning Agents:** For deeper cleaning, use mild soapy water on the wood and a fabric-friendly cleaner for the removable cushions. Avoid harsh chemicals that may harm the wood or fabric.
- **Wipe dry** if exposed to chlorine-rich water.
- **Spot Test:** Before cleaning the entire ottoman, perform a spot test on an inconspicuous area to ensure the cleaning agents do not cause any adverse effects.
- **Avoid Sharp Objects:** Steer clear of using sharp objects or abrasive materials on the wood to prevent scratches.
- **Cushion Care:** Remove or cover cushions during heavy rain or when not in use to prevent them from getting soaked. If the cushions do get wet, allow them to air dry thoroughly.

### Storage:

- **Avoid direct sunlight exposure** to prevent fading or change in color.
- To prolong the life of your outdoor furniture, we recommend using furniture covers when not in use.
- **During winter and inclement weather:** If possible, store the furniture indoors during the winter or when the weather is unfavorable. If indoor storage is not available, we recommend using furniture covers to protect them from weather conditions.
- The furniture is equipped with feet to protect against moisture from the ground. If possible, place them on a hardened surface, avoiding direct contact with the ground. During extended periods of non-use or inclement weather, it is advisable to store the ottoman on a solid and level surface to minimize prolonged exposure to uneven or damp ground.

### Usage:

- **Distribute weight evenly** on the ottoman to avoid unnecessary stress on specific areas. Do not step on the seats.
- **Avoid Extreme Temperatures:** Protect the ottoman from prolonged exposure to extreme temperatures to prevent potential damage.
- **Periodically check** for any loosening of the structure - tighten screws if necessary.

**F L E X S T E E L<sup>®</sup>**

**CUSTOMER SERVICE**

Call toll-free: 1-888-415-3979  
Monday-Friday | 8:00 a.m.-5:00 p.m. (Central Time)  
(Phone number is not valid in Mexico; toll-free in the  
U.S.A and Canada only)

Email: [customersolutions@flexsteel.com](mailto:customersolutions@flexsteel.com)