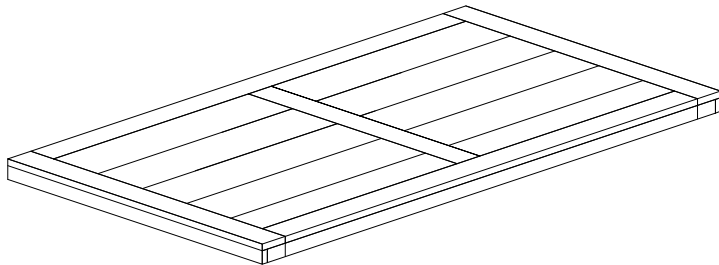


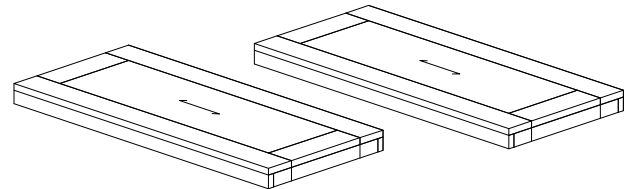
AUTUMN DINING TABLE ASSEMBLY INSTRUCTIONS



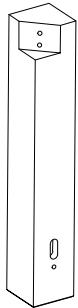
A. TABLE TOP : 1 PC



B. EXTENSION LEAF : 2 PCS



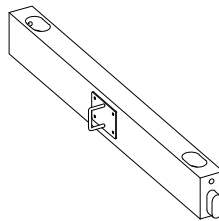
C. LEFT LEG : 2 PCS



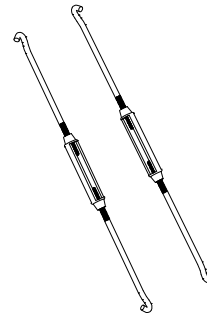
D. RIGHT LEG : 2 PCS



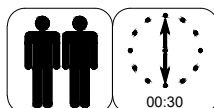
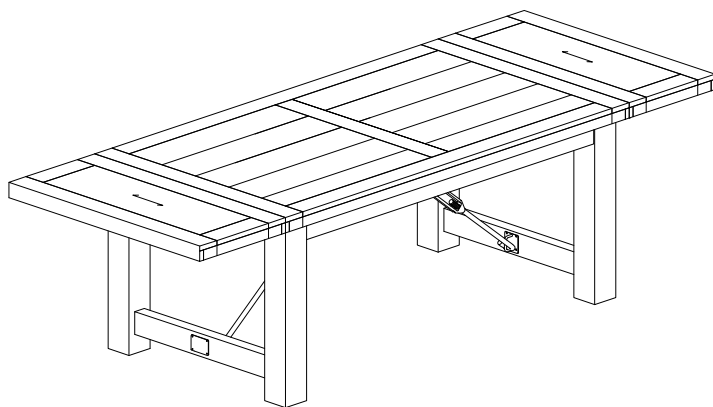
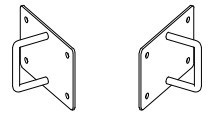
E. SIDE STRETCHER : 2 PCS



F. TURNBUCKLE : 2 PCS



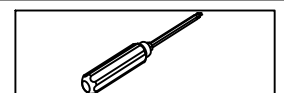
G. TURNBUCKLE BRACKET : 2 PCS



HARDWARE LIST:

No.	Description	Photo	Quantity
1	ALLEN BOLT (5/16"x60mm)		8 PCS
2	FLAT WASHER (5/16")		8 PCS
3	LOCK WASHER (5/16")		12 PCS
4	ALL THREAD BOLT (5/16"x80mm)		4 PCS
5	HEX NUT (5/16")		4 PCS
6	ARC WASHER		4 PCS
7	SPANNER		1 PC
8	ALLEN KEY		1 PC
9	WOOD SCREW (4x15mm)		8 PCS

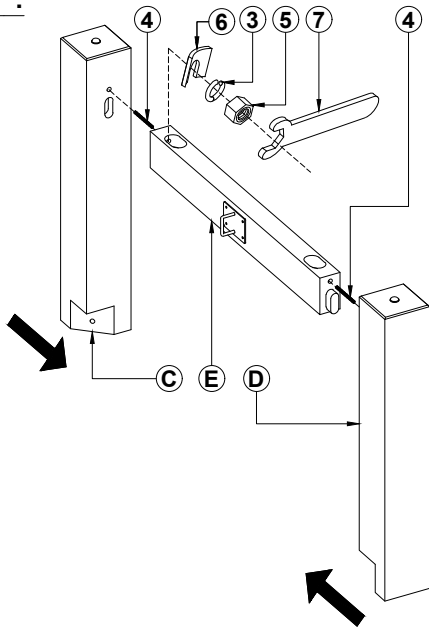
TOOL REQUIRED PHILLIPS HEAD SCREW DRIVER
(NOT PROVIDED)



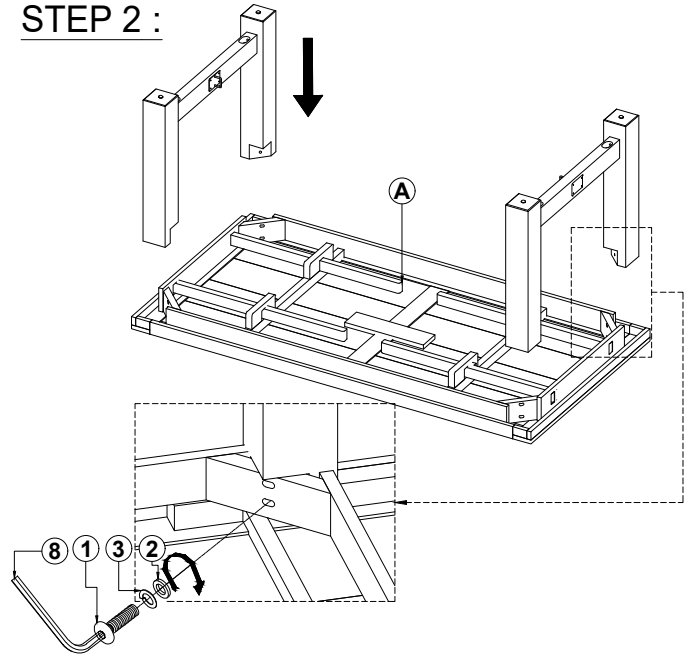
AUTUMN DINING TABLE ASSEMBLY INSTRUCTIONS



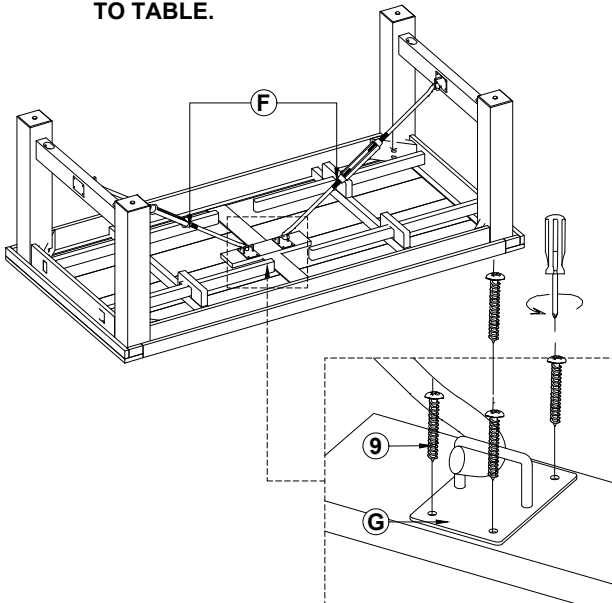
STEP 1 :



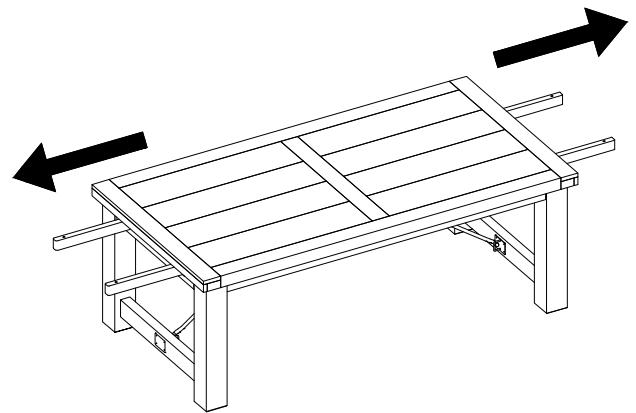
STEP 2 :



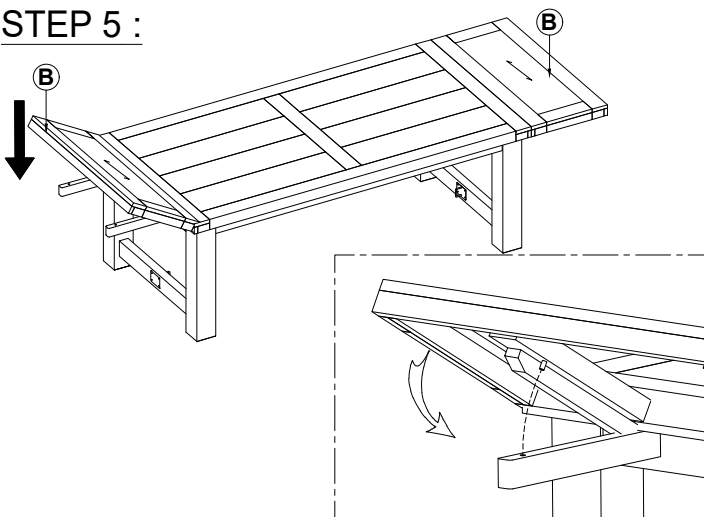
STEP 3 : CONNECT TURNBUCKLE (F) TO TURNBUCKLE BRACKET (G) BEFORE SCREWING TO TABLE.



STEP 4 :



STEP 5 :



ASSEMBLY COMPLETE

