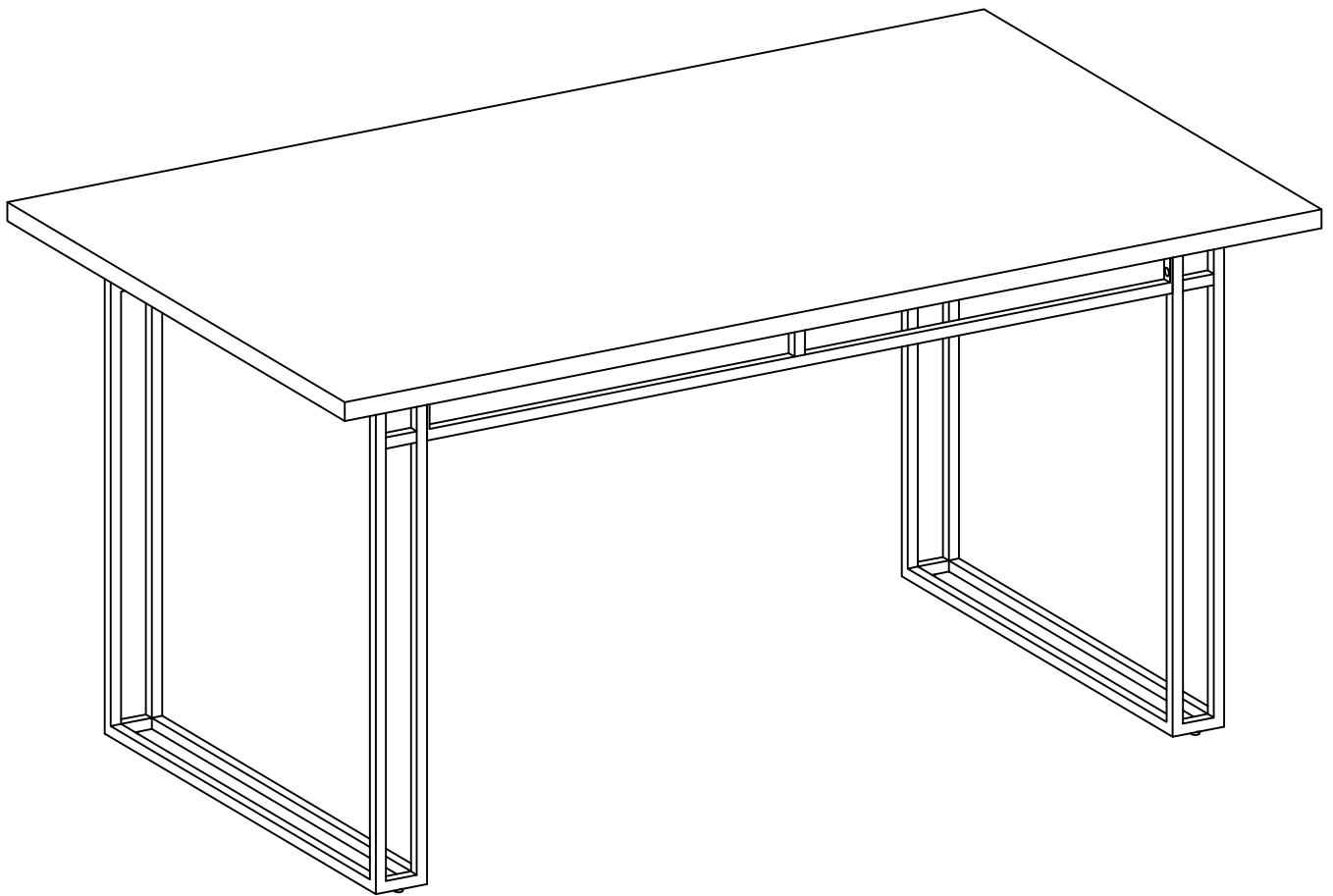


Item # : TW60MDN Assembly Instructions



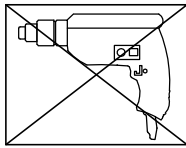
Walker Edison®

Please visit our website for the most current instructions, assembly tips, report damage, or request parts. www.walkeredison.com

Revised 07/10/2020 (L)

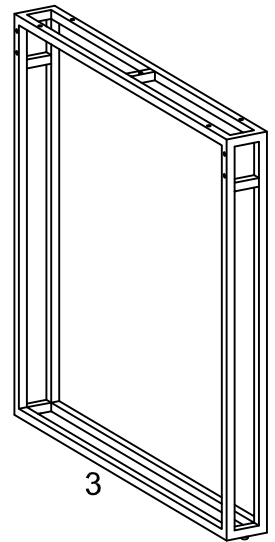
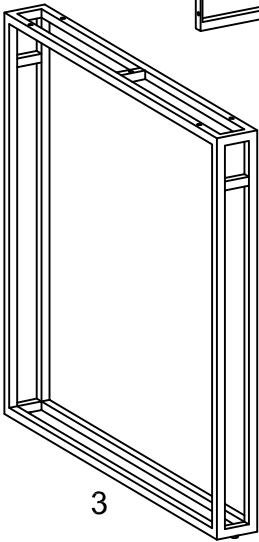
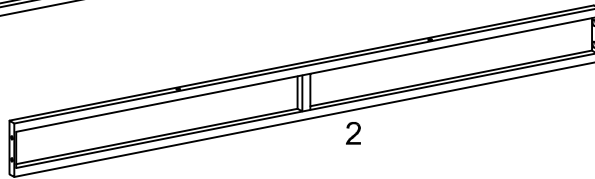
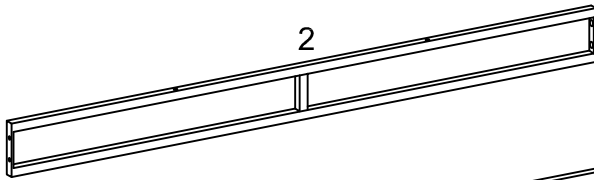
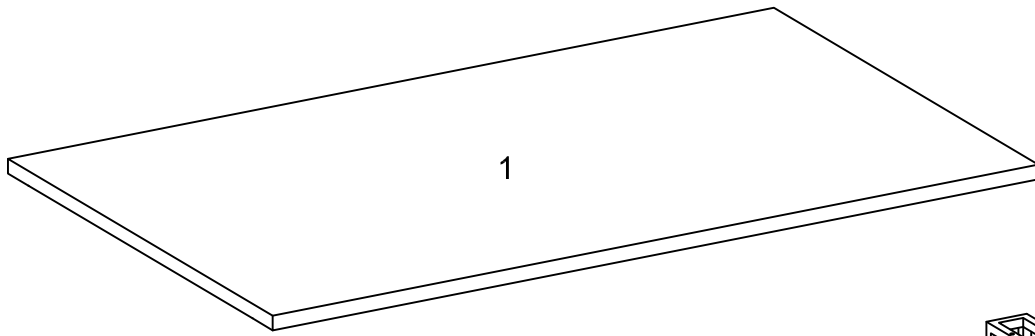
General Assembly Guidelines

- I. Ensure that all parts and hardware are available before beginning assembly.
- II. Follow each step carefully to ensure the proper assembly of this product.
- III. Two people are recommended for ease in the assembly of this product.
- IV. The main type of hardware used to assemble this product are: bolts and screws.
- V. Power tools should not be used to assemble this product.

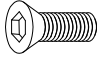
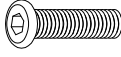





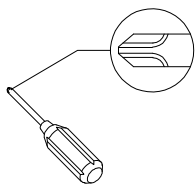
- VI. Drill may be needed for securing product to wall.

Parts List



Hardware List

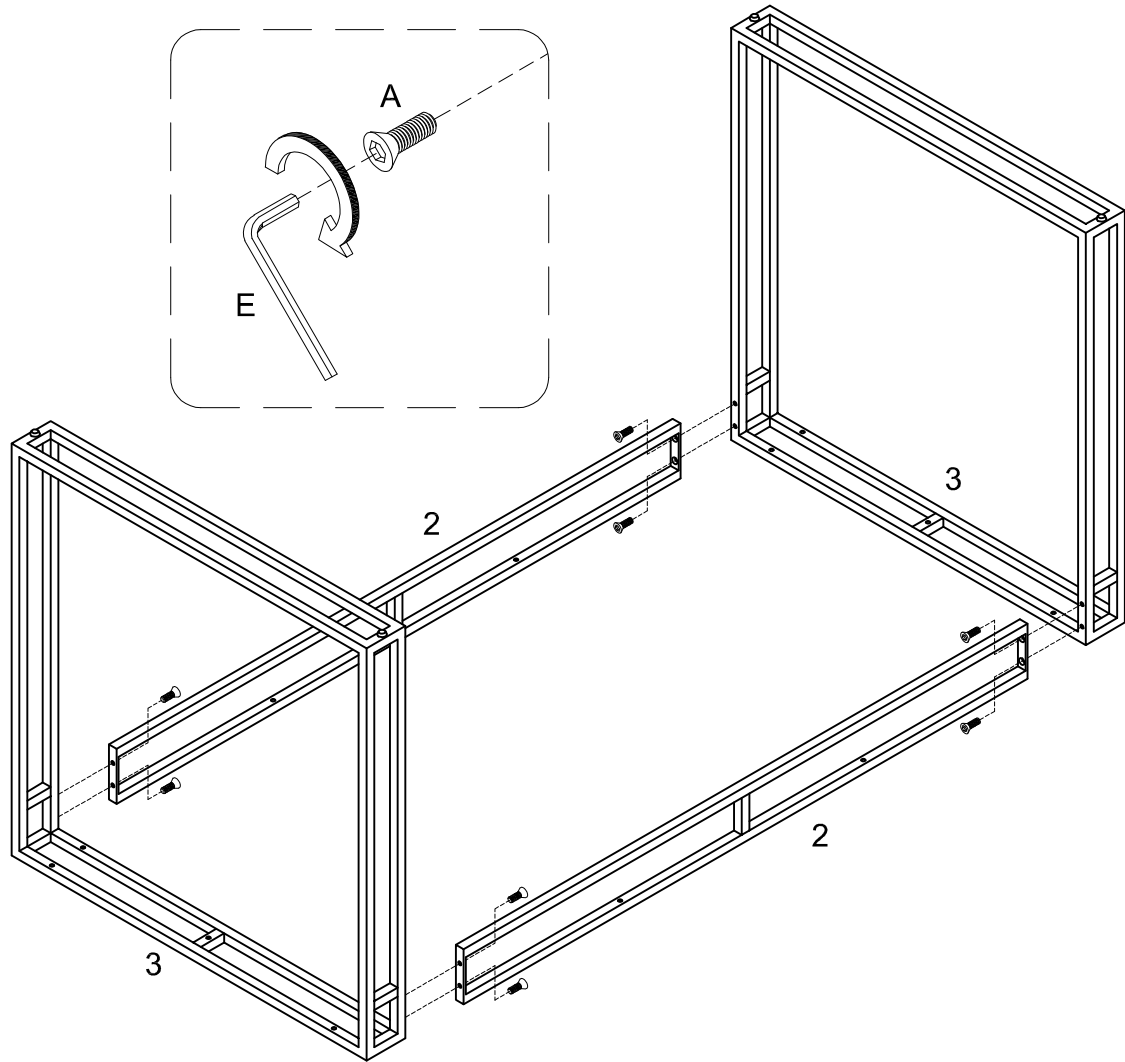
| | | | | |
|---|---|----------------|-------------|--------|
| A |  | Ø1/4"x5/8"mm | Bolt | 8 pcs |
| B |  | Ø1/4"x1-1/8"mm | Bolt | 14 pcs |
| C |  | | Flat washer | 14 pcs |
| D |  | | Lock washer | 14 pcs |
| E |  | 4mm | Hex key | 1 pc |



Philips head screwdriver required for assembly
(not included)

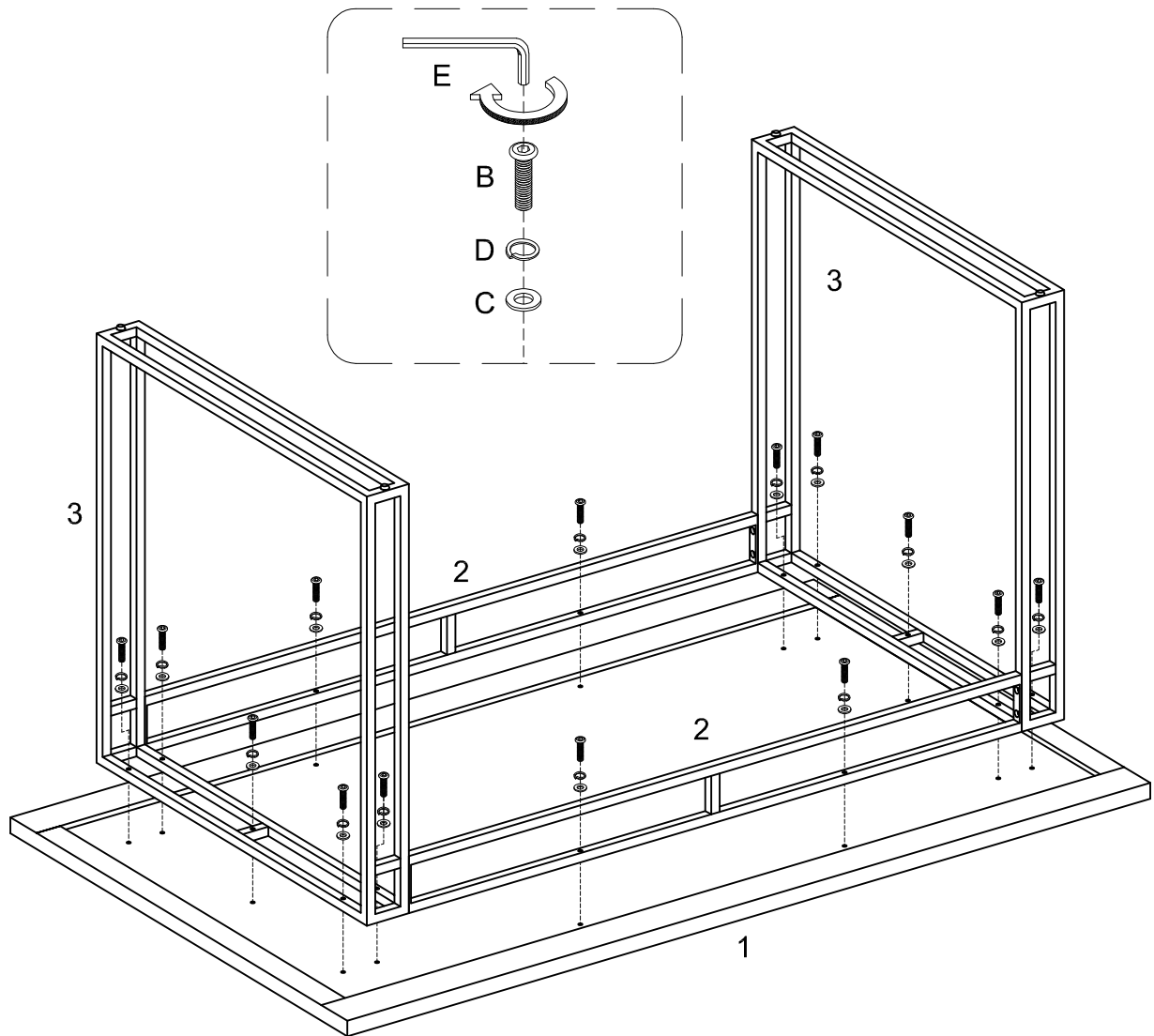
*The hardware quantities listed above are required for proper assembly.
Some extra hardware may also have been included.*

Step 1



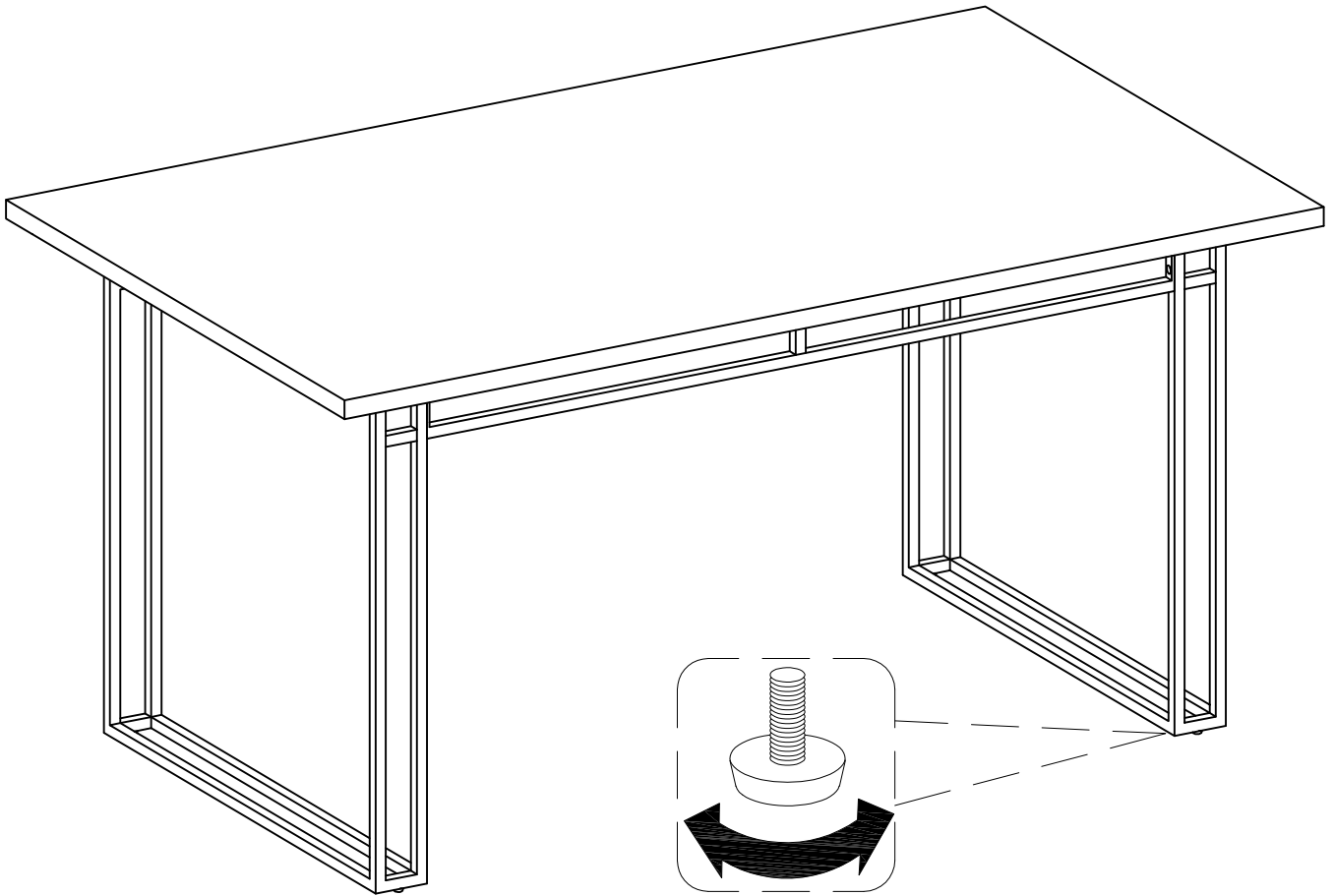
Using bolt (A) attach parts (3) to part (2) with Hex key (E) as per diagram.

Step 2



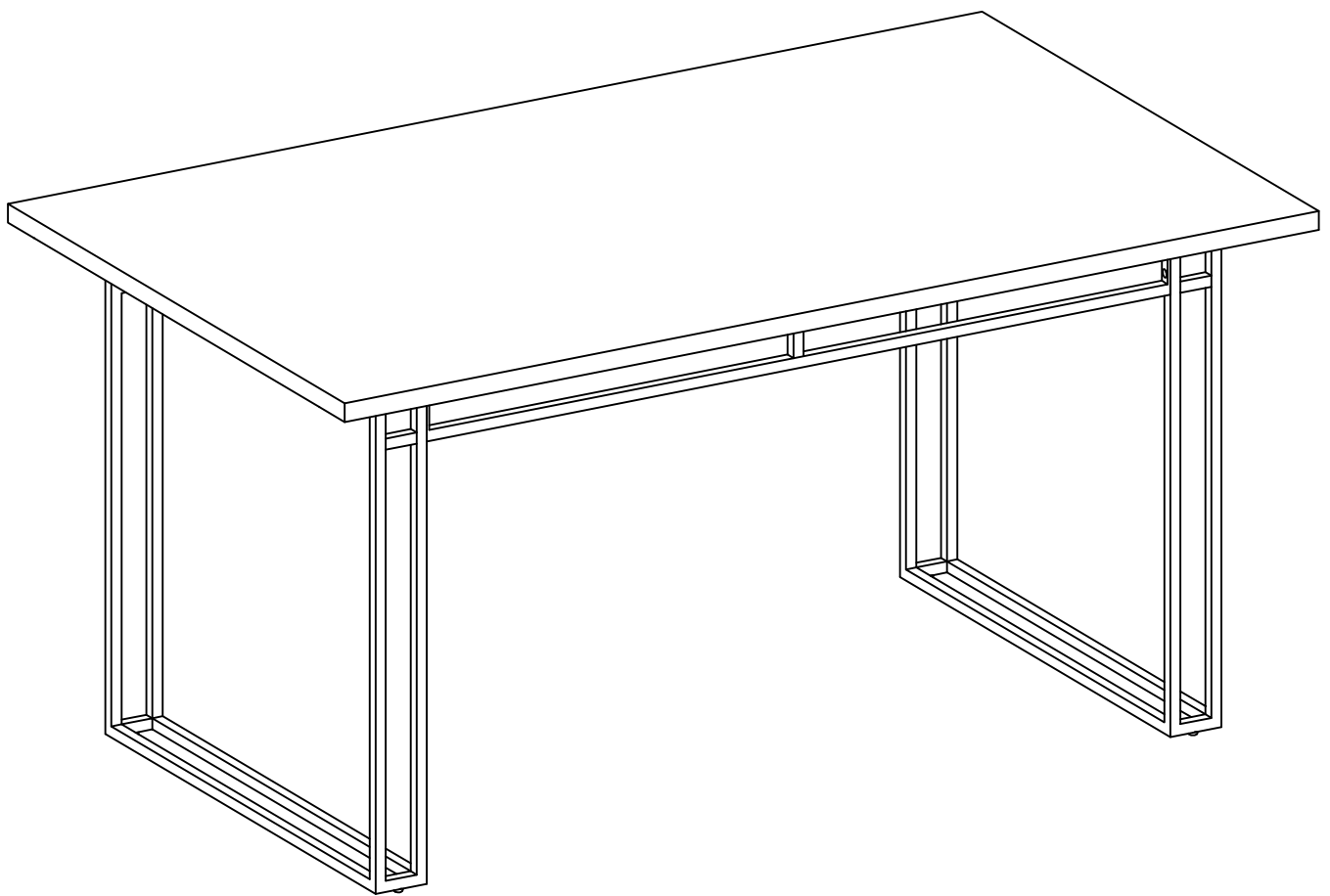
Using bolt (B) attach Lock washer (D) and Flat washer (C) into parts (2,3) to part (1) with Hex key (E) as per diagram.

Step 3



Position the assembled unit at the desired location ,if necessary adjust the floor leveler at the bottom of the leg to level the unit .

Step 4



Final Assembly