







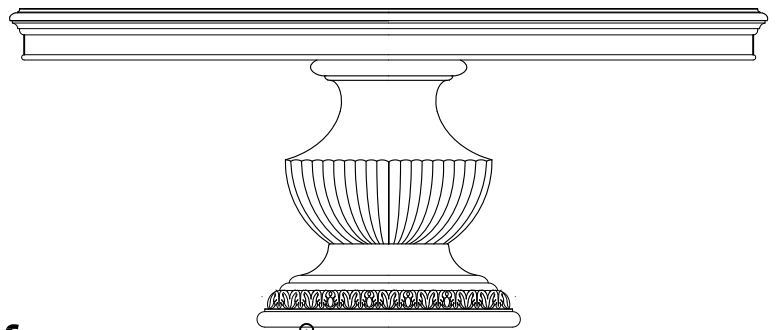
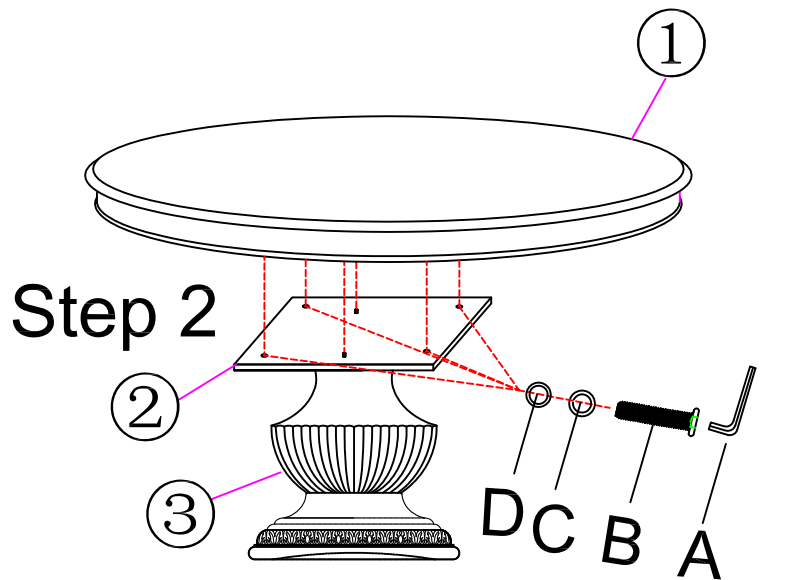
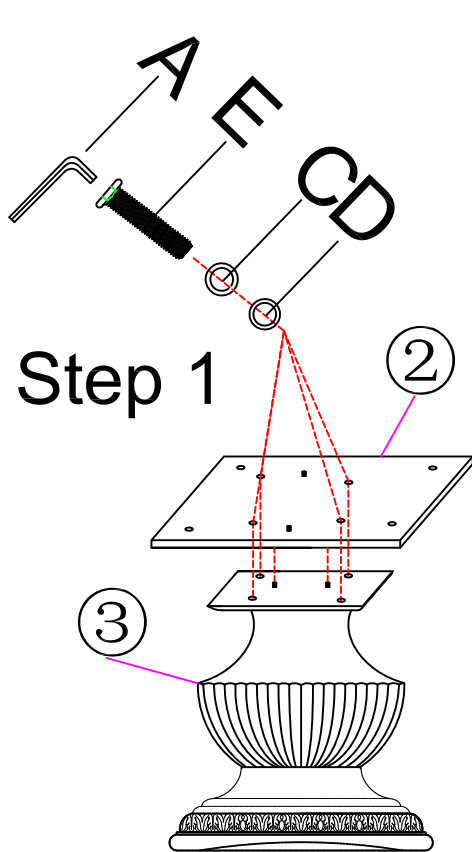


ASSEMBLY INSTRUCTION

ITEM: 5878-75001-80 Round Dining Table Base (C)
5878-75002-80 60in Round Dining Table Top (C)
5878-75012-80 72in Round Urn Table Top (C)

Thank you for purchasing this quality product. Be sure to unpack carefully looking for small parts which may have come loose during shipment.
Read all instruction and study the drawing carefully before starting the assembly process.

NO.	DRAWING	DESCRIPTION	SIZE	Q'TY	NO.	DRAWING	DESCRIPTION	Q'TY
A		Allen Wrench	73*29*5mm	1pc	1		Top	1PC
B		Bolt	5/16*35mm	4pcs				
C		Lock Washer	5/16"	8pcs	2		Mounting Bridge	1PC
D		Flat Washer	5/16"	8pcs				
E		Bolt	Ø5/16**40mm	4pcs	3		Base	1PC



Step 3: Adjust Leveler if needed to level table on uneven floor.

