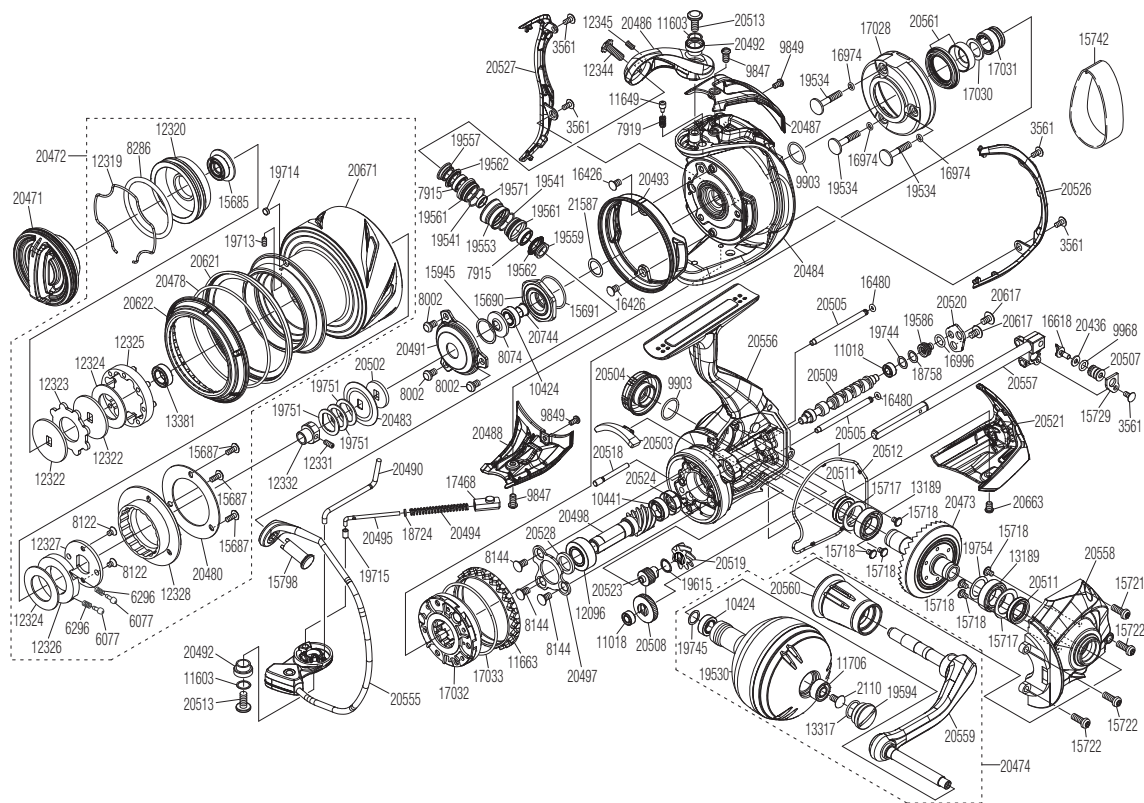


SHIMANO

STELLA **S**A-RB

STL-SW5000HG



Please note that the number of adjusting washers may not always be the same as shown in the exploded views.

(51SF24K052X)

Please note that your actions take full responsibility when you take it apart.

#	Part No.	Description	#	Part No.	Description	#	Part No.	Description
2110	103E9	Screw	15798	10Q3F	Line Roller Support	20492	101NS	Collar
3561	10MT4	Screw	15945	10G8C	Washer	20493	10E3F	Rotor Brim
6077	1035W	Drag Click	16426	103LB	Screw	20494	1028M	Bail Spring
6296	10JMD	Drag Click Spring	16480	10JAB	O Ring	20495	101N5	Bail Spring Guide A
7915	104W1	Ball Bearing	16618	106VM	Oscillating Pawl	20497	101NN	Bearing Retainer
7919	1077Q	Click Spring	16974	10LAD	O Ring	20498	1028H	Pinion Gear
8002	10LZ2	Screw	16996	10TNF	O Ring	20502	1018N	Spool Support A
8074	107F2	Bearing Water Proof	17028	10MHC	Clutch Water Proof Cover	20503	101NL	Bail Trip Strike
8122	10MGD	Screw	17030	10J2G	Washer	20504	10DVQ	Handle Screw Cap
8144	10ML2	Screw	17031	10667	Roller Clutch Inner	20505	101N9	Oscillating Guide
8286	108WC	O Ring	17032	10QPK	Roller Clutch Assembly	20507	101NW	Collar
9847	10CYU	Screw	17033	108WZ	Clutch Cover Water Proof	20508	101N2	Idle Gear
9849	106ZG	Screw	17468	10RZE	Bail Spring Guide B	20509	101N2	Worm Shaft
9903	108WA	O Ring	18724	101D9	Spring Guide A Support Collar	20511	101NM	Bearing Water Proof
9968	108W9	O Ring	18758	10TK0	Washer	20512	101NX	Body Seal
10424	105BN	Ball Bearing	19530	10DVA	Handle Knob Assembly	20513	101NF	Screw
10441	104JS	Ball Bearing	19534	1015M	Screw	20518	101MT	Idle Gear Shaft
11018	10PDA	Ball Bearing	19541	1015L	O Ring	20519	101NQ	Idle Gear (Large)
11603	10HV3	Washer	19553	10DUT	Line Roller	20520	101NK	Worm Shaft Retainer
11649	106ZD	Click Pin	19557	1016P	Line Roller Plate	20521	10E3E	Rear Protector
11663	104FW	Friction Ring	19559	1014N	Collar	20523	1028T	Idle Gear (Small)
11706	10KX1	Ball Bearing	19561	1015Z	Bushing	20524	101P0	Bushing
12096	104O6	Ball Bearing	19562	1016K	Line Roller Seal	20526	10E39	Rotor Guard A
12319	10B88	Retainer	19571	1014P	Collar	20527	10E3G	Rotor Guard B
12320	10LWR	Bearing Bushing	19586	1015D	Bushing	20528	1028S	Washer
12322	10B9Z	Key Washer	19594	10E83	Handle Knob Seal	20555	10RP0	Bail Assembly
12323	10BE8	Eared Washer	19615	10160	Washer	20556	10RPN	Body Assembly
12324	1031R	Drag Washer	19713	10PVL	Set Screw	20557	10RQL	Main Shaft Assembly
12325	10AHH	Insert	19714	10EAG	Spool Ring Pin	20558	10RTD	Side Cover Assembly
12326	10JJU	Click Key Guide	19715	10R2F	Spring Guide A Support Collar B	20559	101HY	Handle Shank Assembly
12327	109HE	Click Key Washer	19744	100XZ	Washer	20560	10RTA	Handle Shaft Cover Assembly
12328	10C1J	Drag Cover	19745	104FH	Washer	20561	10RR7	Roller Clutch Waterproof Assembly
12331	10PRL	Set Screw	19751	101DN	Spool Washer A	20617	10E8M	Screw
12332	10LTL	Bearing Bushing	19754	10DKJ	Washer	20621	101NE	Spool Ring
12344	10K46	Screw	20436	100CW	Washer	20622	100L4	Collar
12345	10PN1	Set Screw	20471	101WN	Drag Knob Assembly	20663	10RZ1	Screw
13189	104PT	Ball Bearing	20472	101N4	Spool Assembly	20671	100RM	Spool
13317	10LAB	O Ring	20473	1028J	Drive Gear Assembly	20744	100S6	Spacer
13381	104JT	Ball Bearing	20474	101MV	Handle Assembly	21587	10S32	Washer
15685	10NFD	Bearing Support Assembly	20478	1028L	O Ring			
15687	10MPR	Screw	20480	101N7	Drag Cover ID Plate			
15690	1080Y	Rotor Nut	20483	10RBU	Spool Bearing Water Proof			
15691	108WF	O Ring	20484	10E30	Rotor			
15717	10BGE	Washer	20486	10E3A	Bail Arm			
15718	1055G	Screw	20487	10E3D	Bail Spring Cover			
15721	10A6N	Screw	20488	10E31	Bail Hold Support Guard			
15722	10A6P	Screw	20490	101NG	Bail Trip Lever			
15729	10HAF	Oscillating Pawl Cover	20491	101P2	Retainer	15742	109UV	Belt (S) (accessory)