



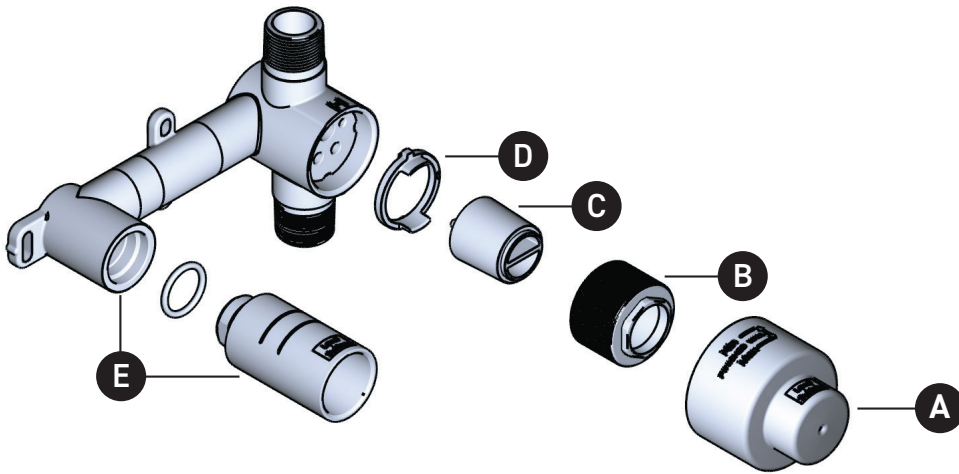
ORDER BY PART NUMBER

ILLUSTRATED PARTS

RH360

Wall Mount Widespread Rough-in Valve

ID	Kit Number	Finish
A	430-811	N/A
B	305-911	N/A
C	0971	N/A
D	390-911	N/A
E	0981	N/A



For warranty or additional information, contact:

U.S.A.
houseofrohl.com/support
 1-800-777-9762

QUEBEC / MARITIMES / WESTERN CANADA
 QUÉBEC / MARITIMES / OUEST CANADIEN
 QUEBEC / MARITIMOS / CANADA OCCIDENTAL
houseofrohl.ca/support
 1-866-473-8442

ONTARIO
houseofrohl.ca/support
 1-800-287-5354

Riobel

PERRIN & ROWE
 LONDON



victoria ⊕ albert®

ROHL



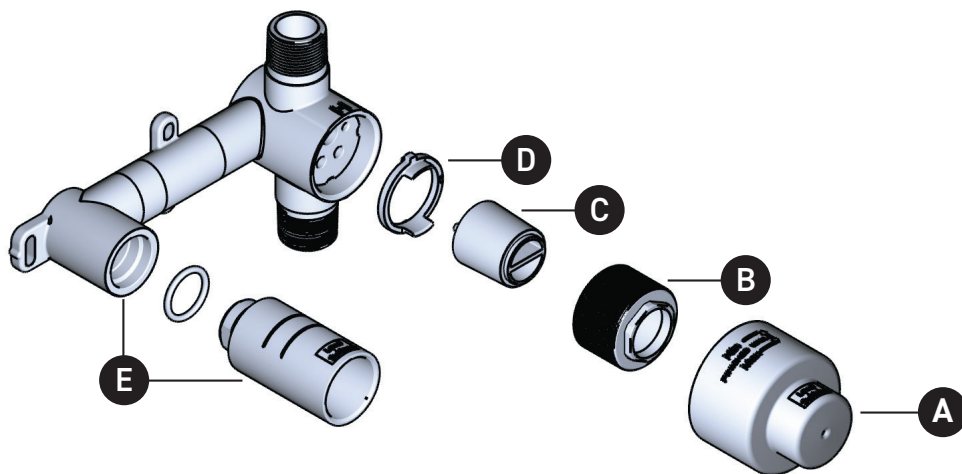
VEUILLEZ EFFECTUER VOTRE COMMANDE
PAR NO DE RÉFÉRENCE

ILLUSTRATIONS DES PIÈCES

RH360

Brut de lavabo mural

ID	Référence du kit	Finition
A	430-811	N/A
B	305-911	N/A
C	0971	N/A
D	390-911	N/A
E	0981	N/A



For warranty or additional information, contact:

U.S.A.
houseofrohl.com/support
1-800-777-9762

QUEBEC / MARITIMES / WESTERN CANADA
QUÉBEC / MARITIMES / OUEST CANADIEN
QUEBEC / MARITIMOS / CANADA OCCIDENTAL
houseofrohl.ca/support
1-866-473-8442

ONTARIO
houseofrohl.ca/support
1-800-287-5354





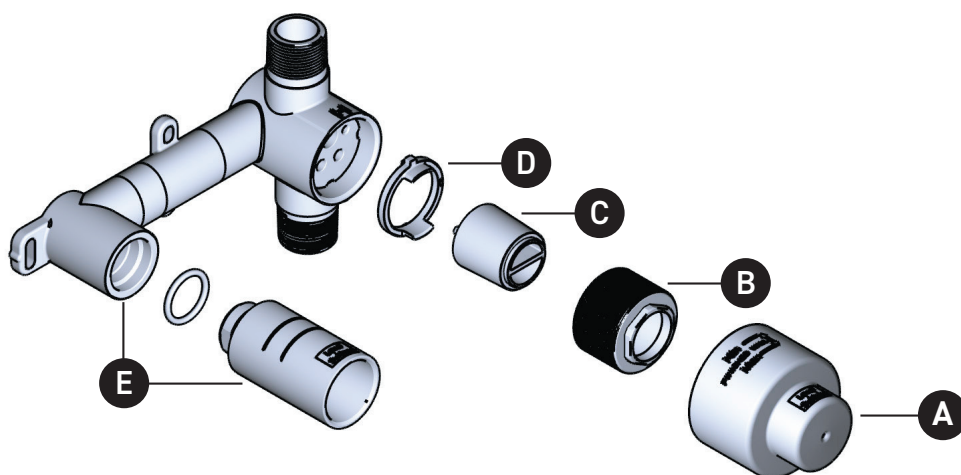
PEDIR POR NÚMERO DE REFERENCIA

PIEZAS ILUSTRADAS

RH360

Válvula empotrable generalizada para montaje en pared

ID	Referencia del kit	Acabado
A	430-811	N/A
B	305-911	N/A
C	0971	N/A
D	390-911	N/A
E	0981	N/A



For warranty or additional information, contact:

U.S.A.
houseofrohl.com/support
1-800-777-9762

QUEBEC / MARITIMES / WESTERN CANADA
QUÉBEC / MARITIMES / OUEST CANADIEN
QUEBEC / MARITIMOS / CANADA OCCIDENTAL
houseofrohl.ca/support
1-866-473-8442

ONTARIO
houseofrohl.ca/support
1-800-287-5354

