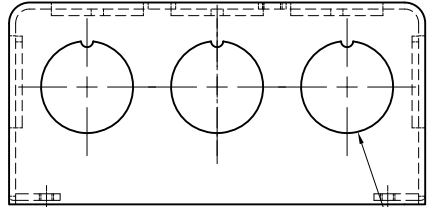
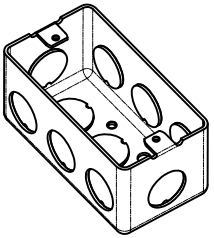
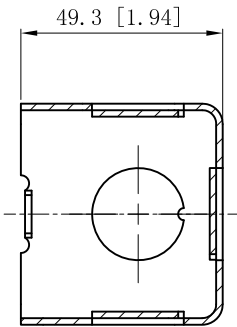


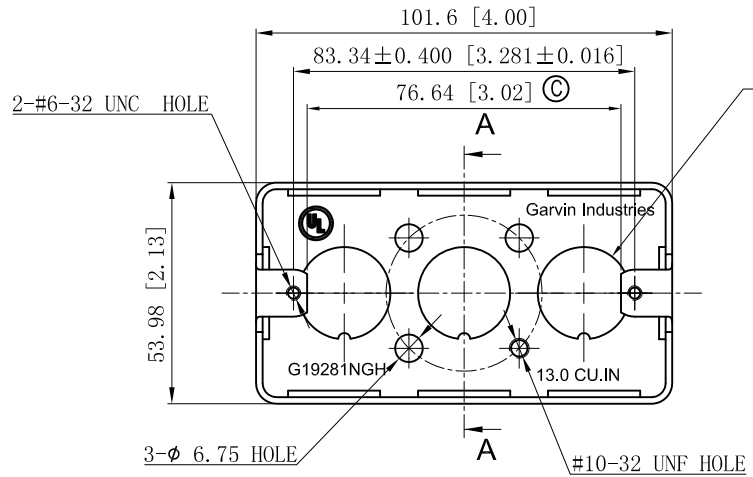
SIDES	BOTTOM
8 1/2" KNOCKOUTS	3 1/2" KNOCKOUTS
Material: Steel-0.0625"-G60 Galvanized	



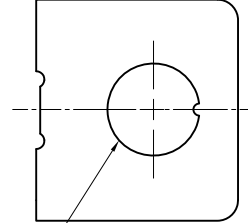
6 1/2" KNOCKOUTS $\phi=22.5 [\phi=0.89]$



CUTAWAY VIEW A-A



3 1/2 KNOCKOUTS $\phi=22.5 [\phi=0.89]$
MIRROR



2 1/2" KNOCKOUTS $\phi=22.5 [\phi=0.89]$

This data sheet is for reference only .GARVIN INDUSTRIES reserves the right to make changes to the design without prior notice.

DESCRIPTION
TRADE REFERENCE TERMS

STANDARD PACKING
50 PCS

GARVIN INDUSTRIES		
TITLE HANDY UTILITY BOXES & EXTENSION RINGS		
SIZE A4	DWG NO. G19281NGH	REV C
DATA SHEET		