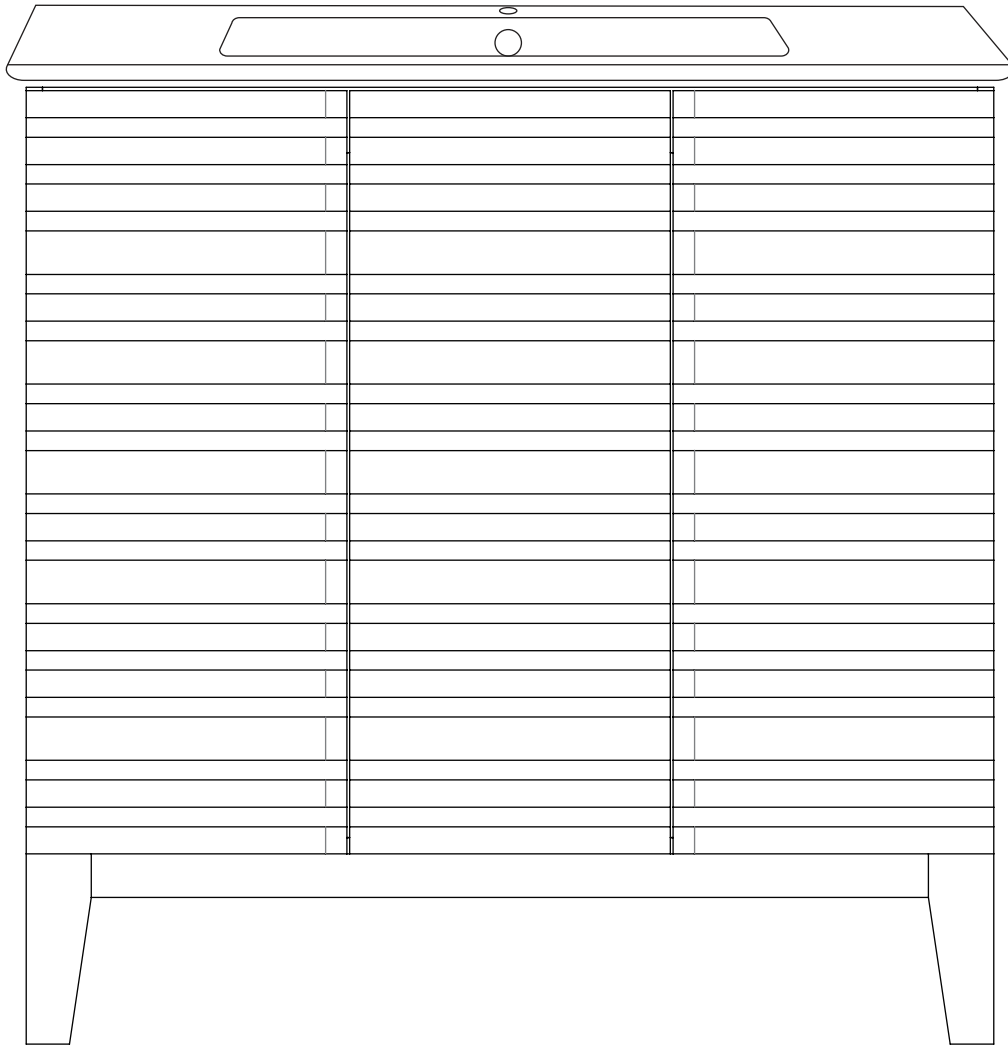


Freestanding Vanity

INSTALLATION INSTRUCTIONS

Swiss Madison®
well made forever



@SwissMadison
#WellMadeForever





PRIOR TO INSTALLATION:

- Inspect product to ensure no damages have occurred while in shipping.
- Observe all plumbing and building codes in accordance with your state and local requirements.
- Floor must be level prior to installation of vanity.
- All dimensions are nominal! Be sure to measure your vanity prior to installation.
- The step-by-step guidelines in the installation instructions are a general reference. Should there be any discrepancies, Swiss Madison cannot be held liable. It is recommended to install all Swiss Madison products by hiring a licensed professional.
- Read installation and maintenance instructions thoroughly before installing. Be sure to use proper tools and always wear proper personal safety accessories for your protection.

If you have any questions or concerns please contact us:

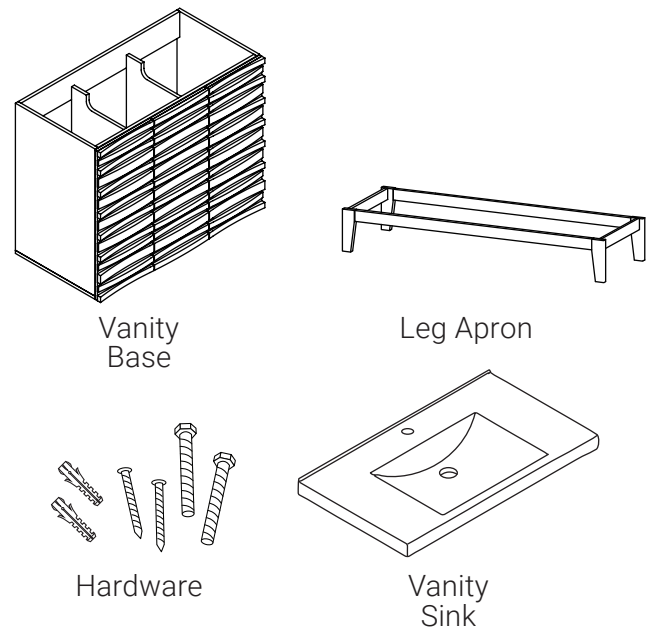
1-434-623-4766

info@swissmadison.com

SUGGESTED TOOLS & MATERIALS:

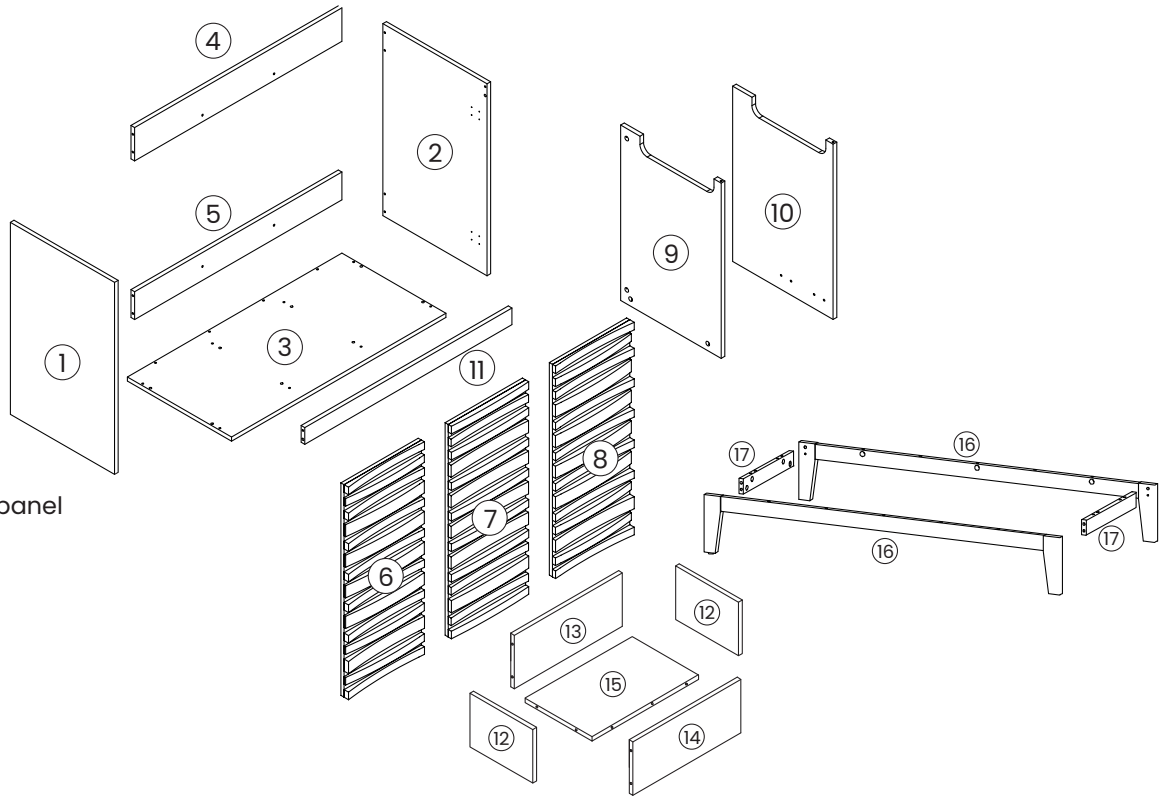


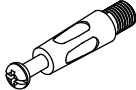
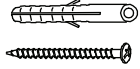




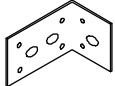
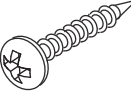
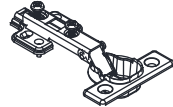
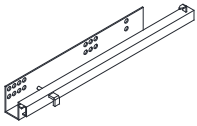
INCLUDED PARTS:



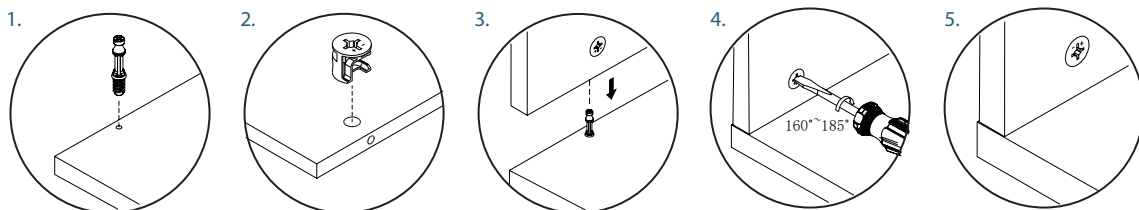
Parts for Reference:

1. Left side panel
2. Right side panel
3. Bottom panel
4. Rear top bar
5. Rear bottom bar
6. Left door
7. Middle door
8. Right door
9. Left middle panel
10. Right middle panel
11. Front cross bar
12. Drawer left and right side panel
13. Drawer back panel
14. Drawer front panel
15. Drawer bottom panel
16. Front & Back Leg Apron
17. Leg Apron Side Rail



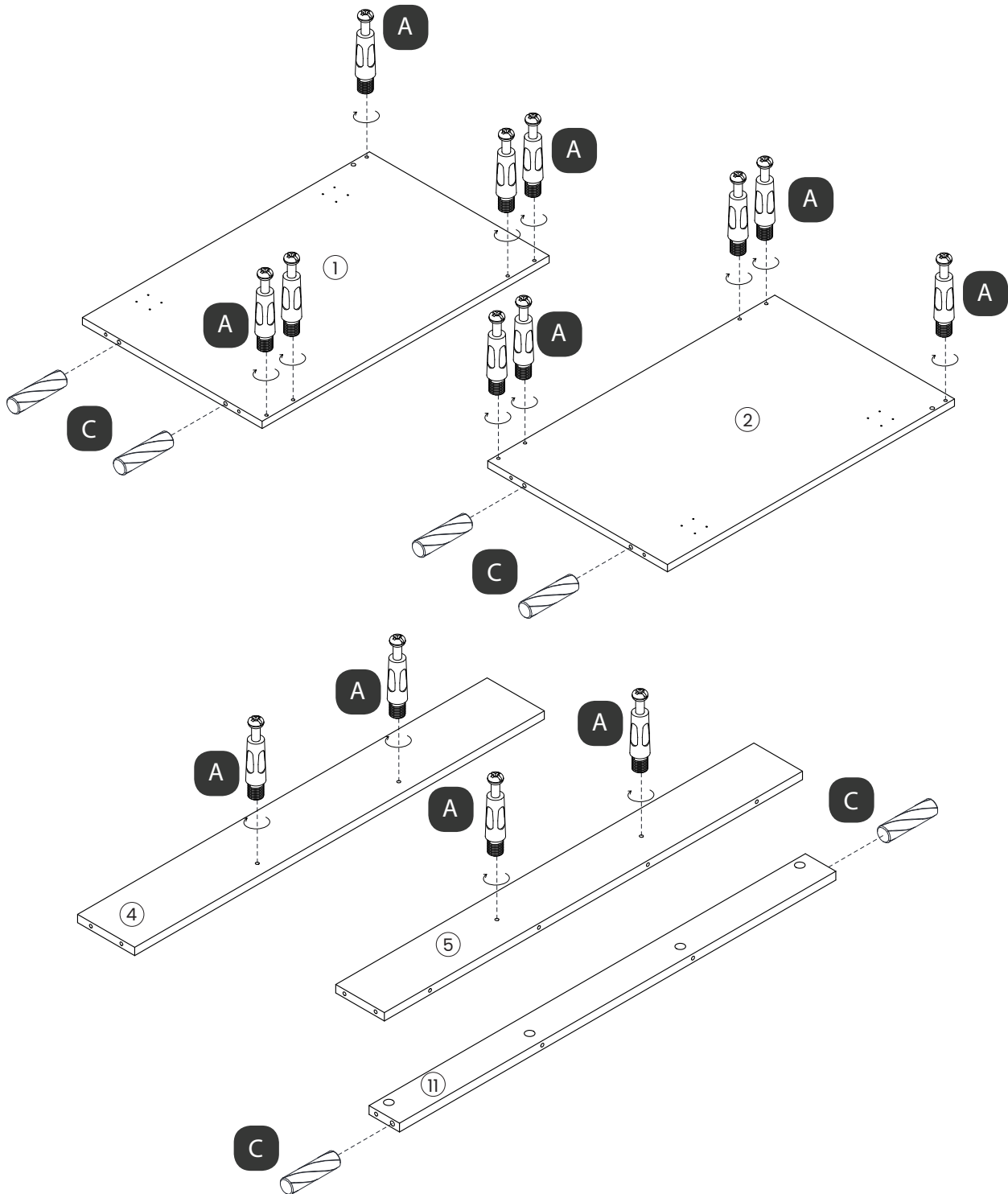
- | | |
|--|---|
| <p>A
Cam bolt: (x54)+1 spare</p>  | <p>F
Screw & plastic anchor (x4)</p>  |
| <p>B
Cam lock: (x54) +1 spare</p>  | <p>G
Screw: 4 x 14 mm (x46) +2 spare</p>  |
| <p>C
Wood dowel: (x22) +1 spare</p>  | <p>H
Screw: 4 x 35 mm (x4)</p>  |
| <p>D
Metal bracket: (x2)</p>  | <p>I
Screw: 4 x 24 mm (x4)</p>  |
| <p>E
Hinge (x4)</p>  | <p>J
Undermount slide (x2)</p>  |

This illustration shows how the cam-fastening system works.



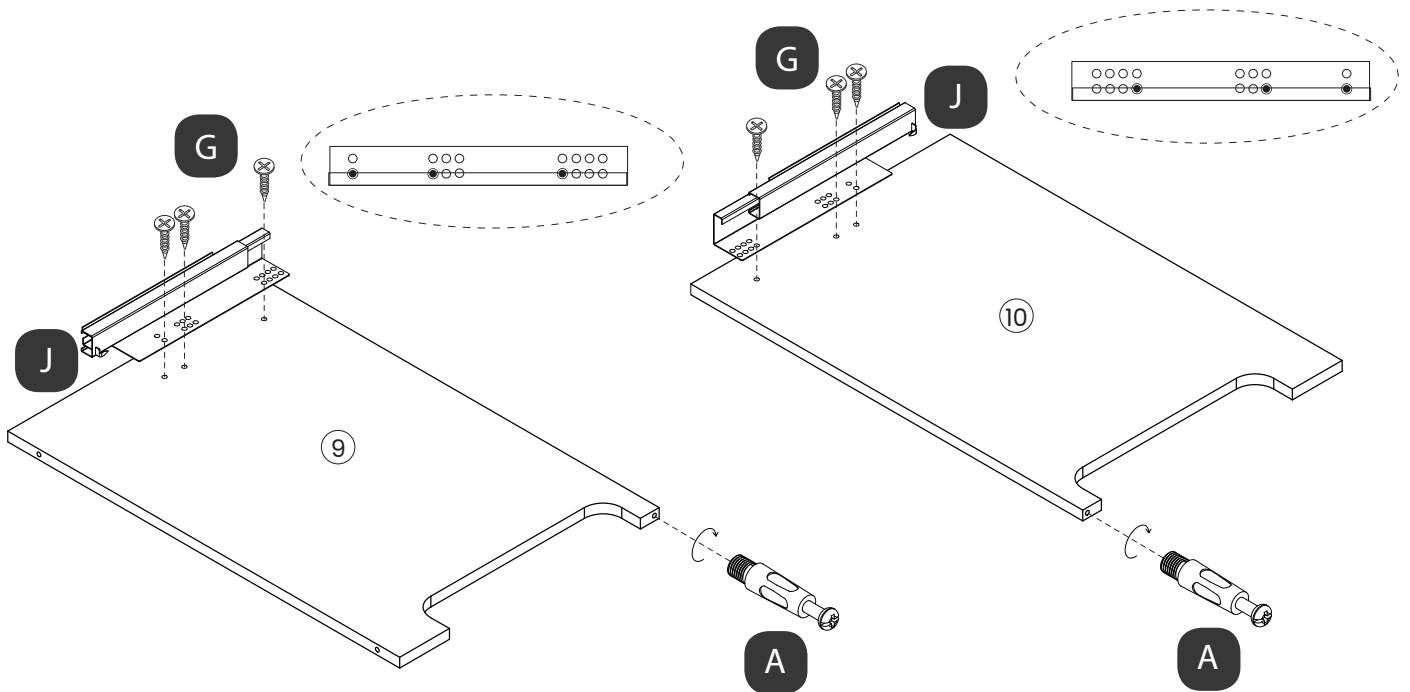
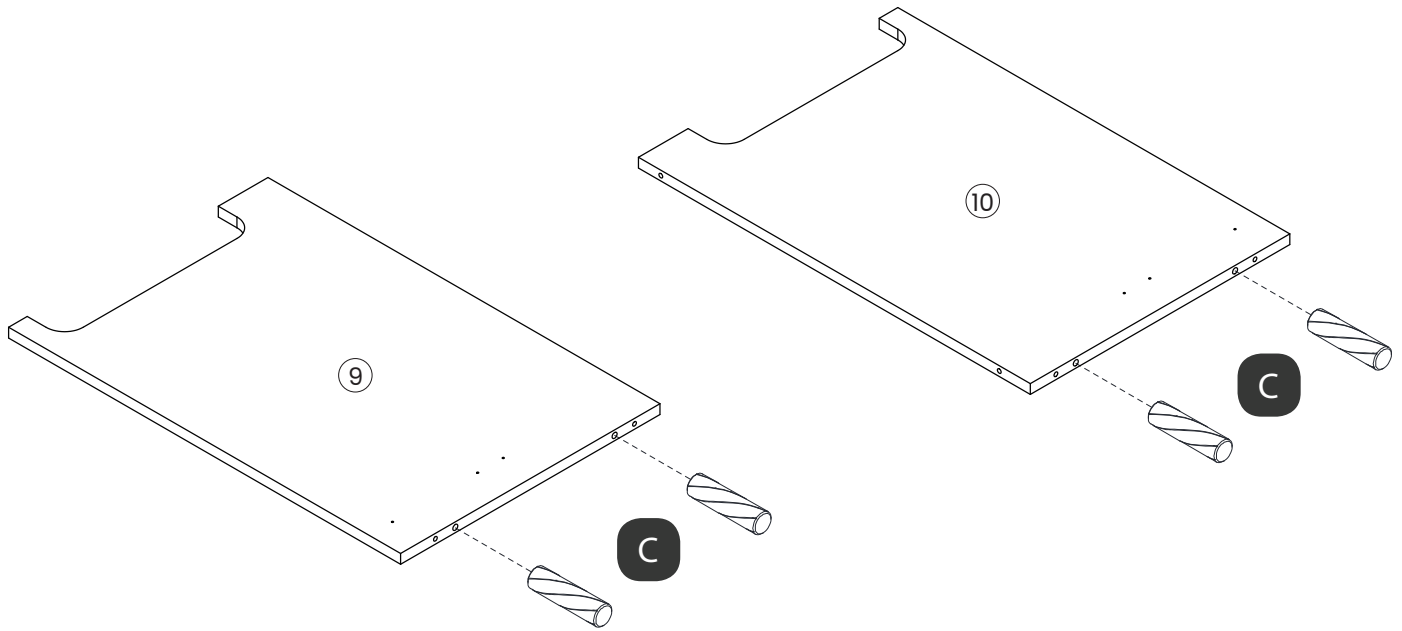
1. Assemble Frame

- Screw 5 cam bolts (A) & insert 2 wood dowel (C) into the left side panel (1). Repeat for the right side panel (2).



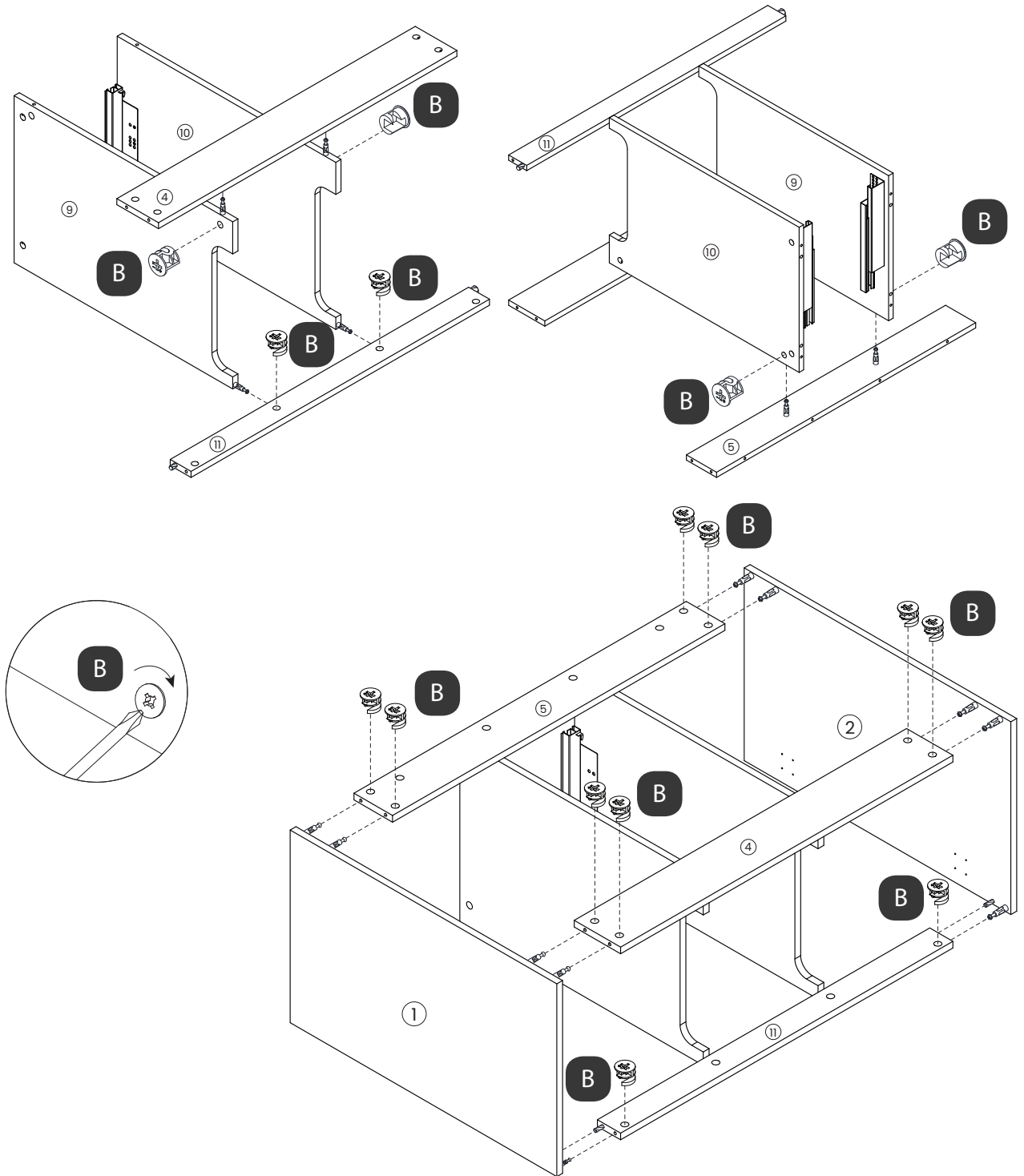
- Screw 2 cam bolts (A) into the Rear top bar (4). Repeat for the Rear bottom bar (5).
- Insert 2 wood dowels (C) into the dowel holes of the Front cross bar (11).

- Insert 2 wood dowels (C) into the dowel holes of the left middle panel (9) & right middle panel (10).



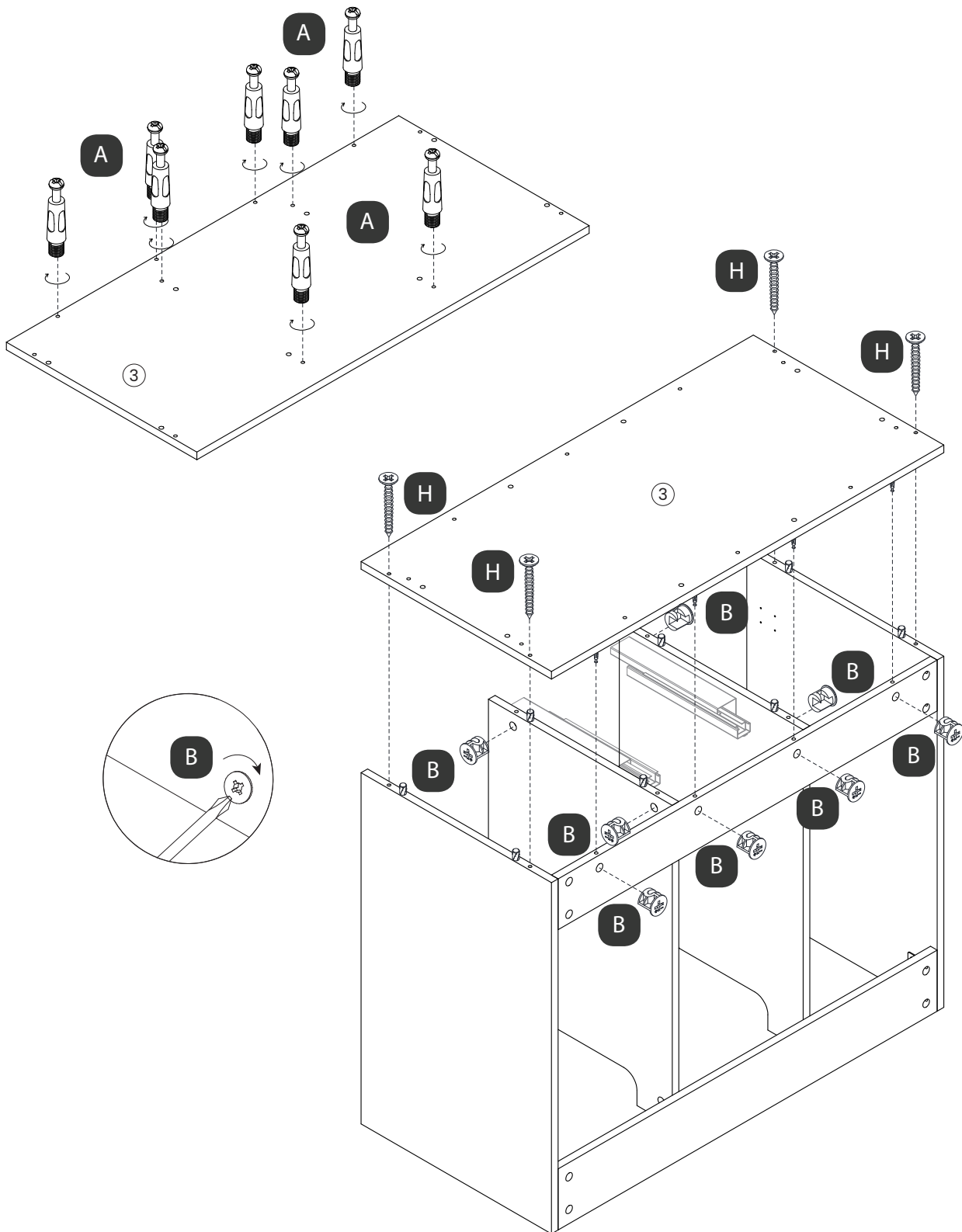
- Screw 2 cam bolts (A) into the left middle panel (9) & right middle panel (10).
- Attach the slide (J) to the left middle panel (9) and secure with 3 screws (G) as shown above. Repeat for the right middle panel (10).

- Connect the front cross bar (11) and rear top bar (4) to the left middle panel (9) and right middle panel (10).
Secure in place use 4 cam locks (B).
- Connect the rear bottom bar (5) to the left middle panel (9) and right middle panel (10).
Secure in place use 2 cam locks (B).



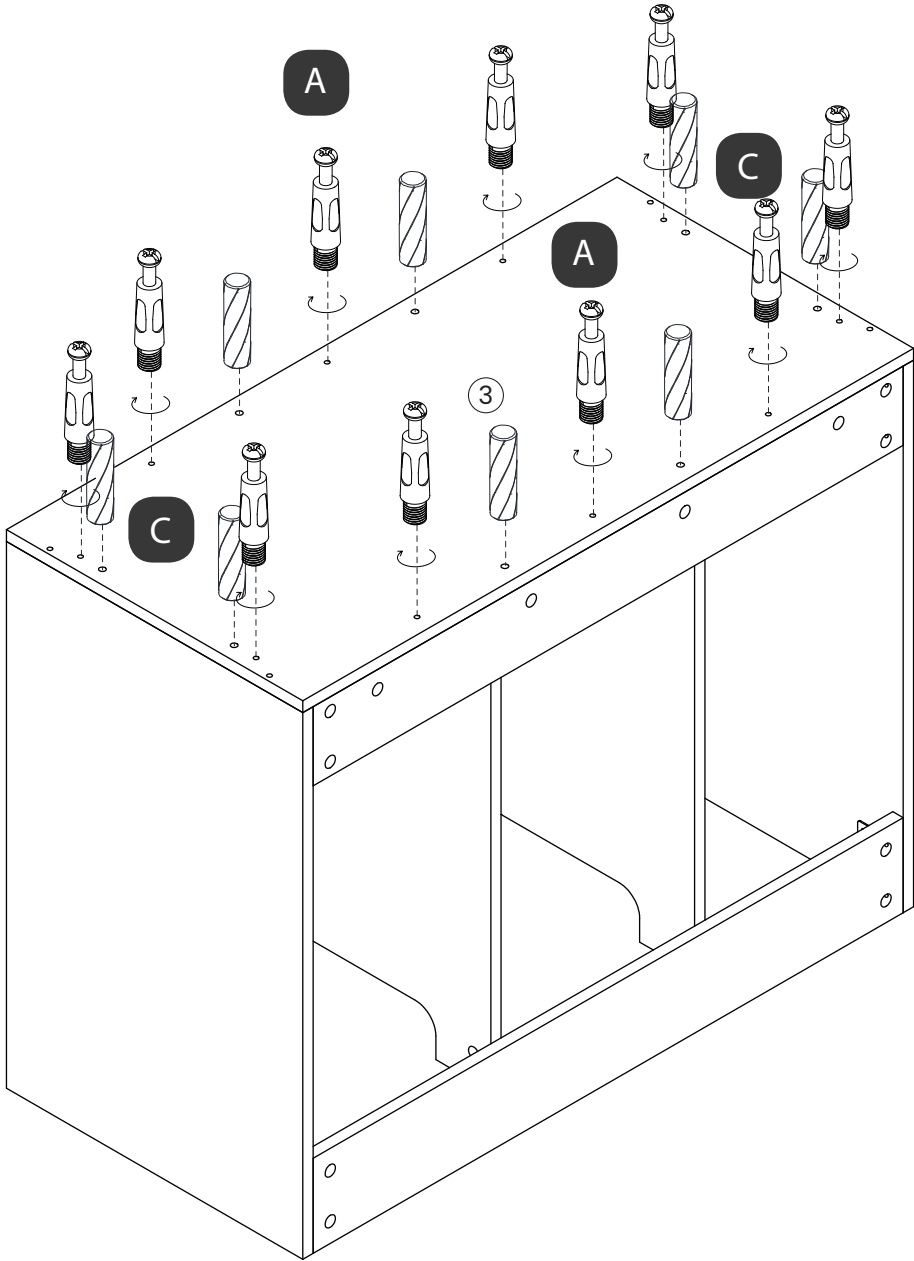
- Connect the left side panel (1) to the front cross bar (11), rear top bar (4), and rear bottom bar (5).
Secure with 5 cam locks (B) as shown.
- Repeat on the other side of the body using the right side panel (2).

- Screw 8 cam bolts (A) into the bottom panel (3).



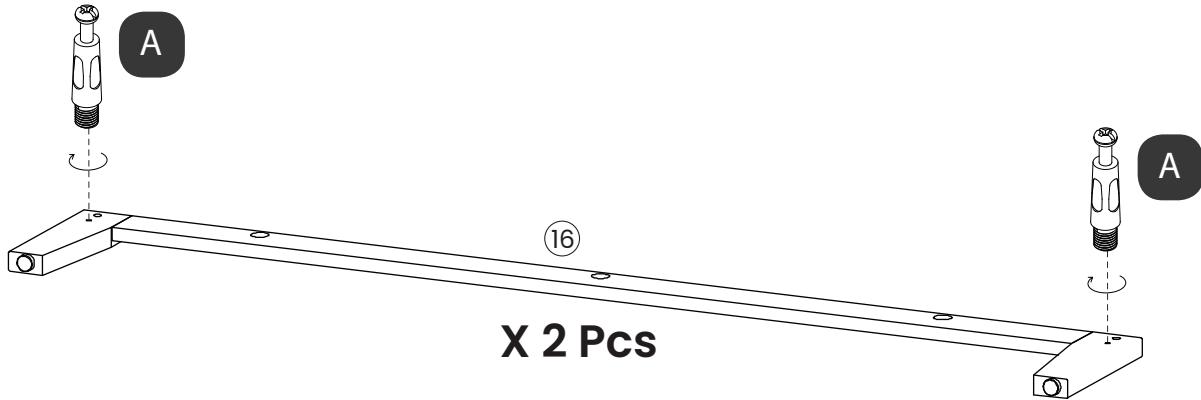
- Carefully align the Bottom Panel (3) pre-drilled holes to the pre-assembled wooden dowl on both of the side Panels and secure it by tightening 4 Screws (H).
- Connect the bottom panel (3) to left middle panel (9), right middle panel (10), and rear bottom bar (5).
- Secure with 8 cam locks (B) as shown.

• Screw 10 cam bolts (A) and 8 wood dowel (C) into the bottom panel (3).

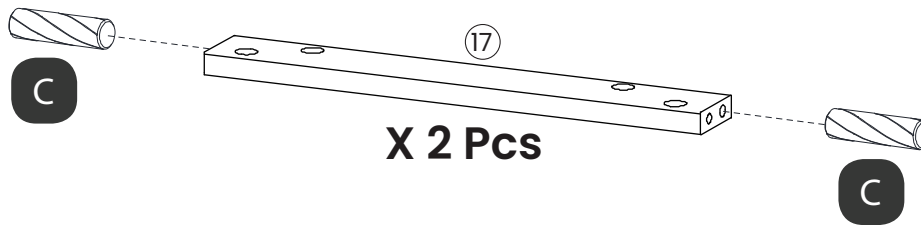


2. Assemble Leg Apron

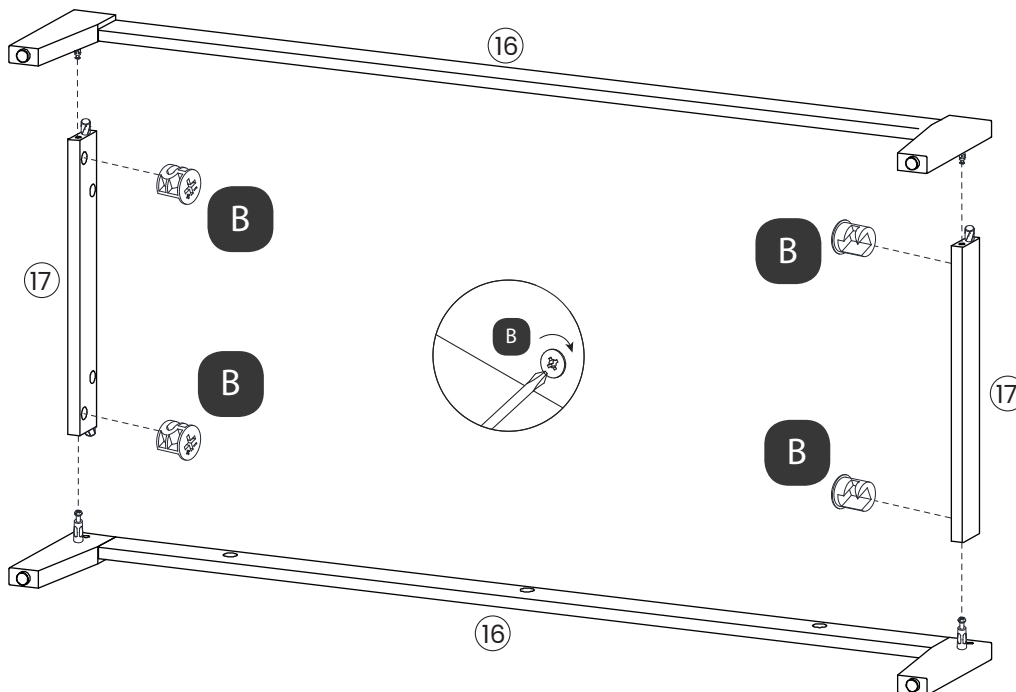
- Lay flat both leg aprons (16).
- Properly insert and slowly screw in the 4 cam bolt (A) to the lower portion of the pre-drilled holes at both ends of the leg apron.



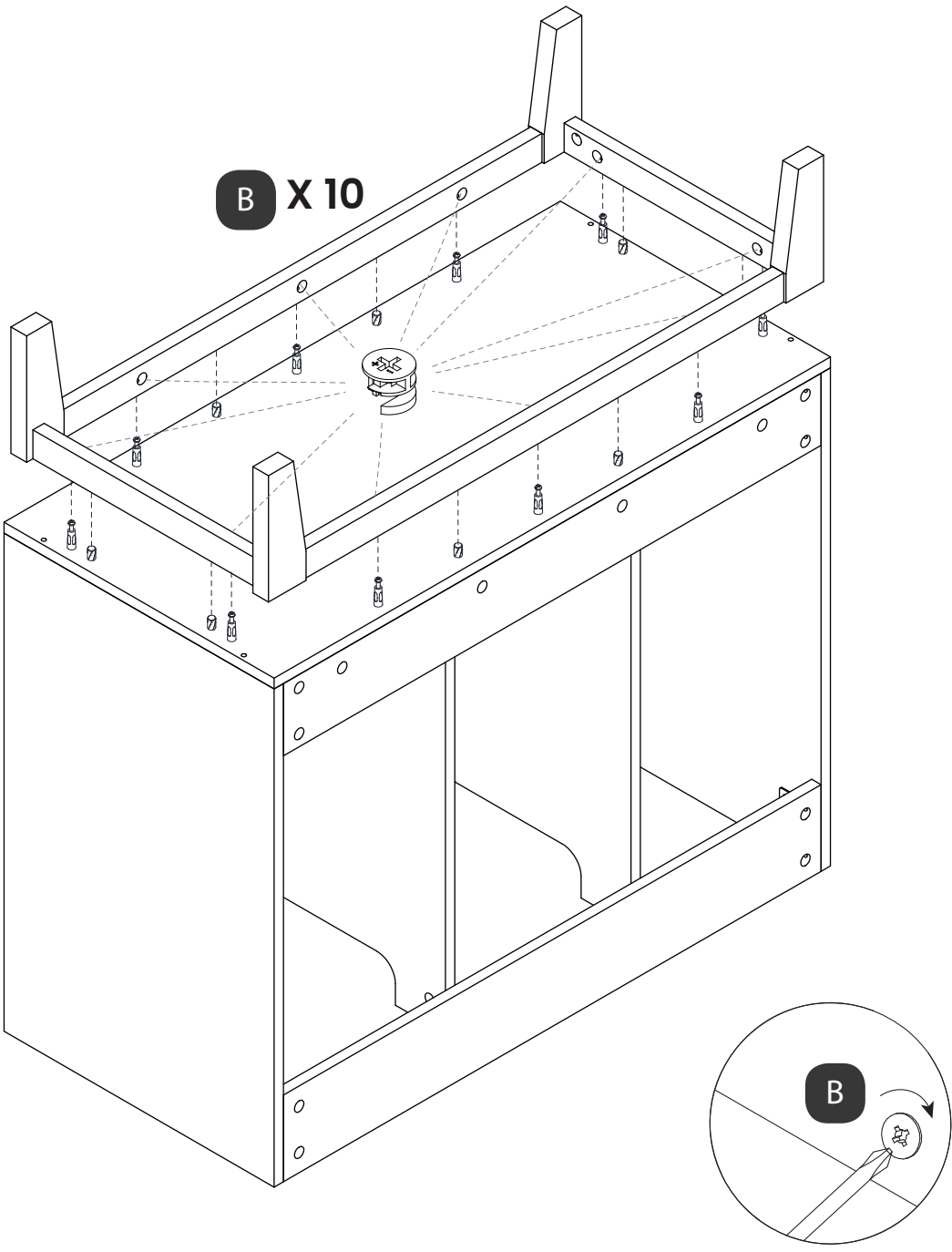
- Insert 4 wooden dowels (C) to the pre-drilled holes on the ends of each leg side rail (17).



- Place 4 cam locks (B) to the designated pre-drilled hoels on the side rails (17).
- Align the leg side rails (17) with the front and back leg aprons (16) and secure all sides by tightening the 4 cam locks (B).

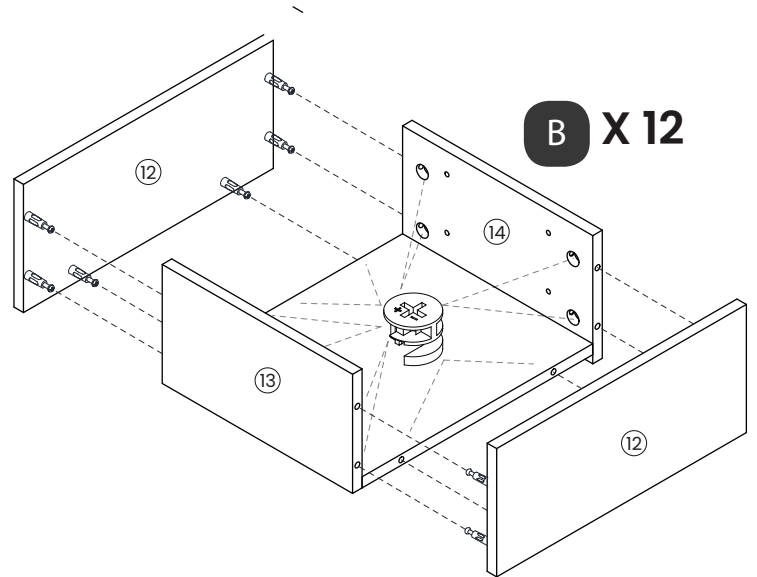
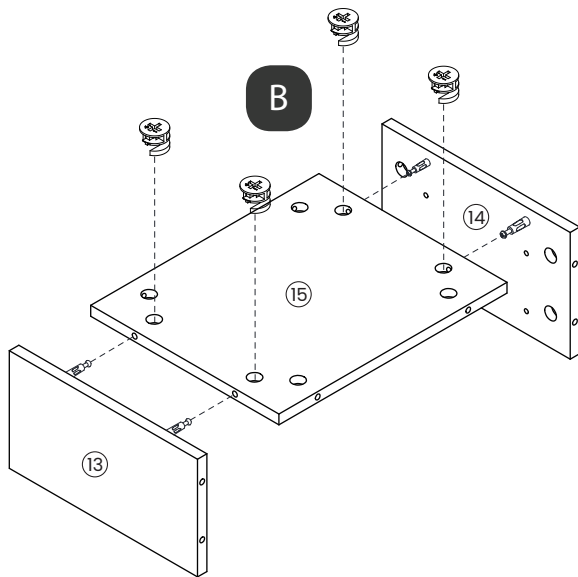
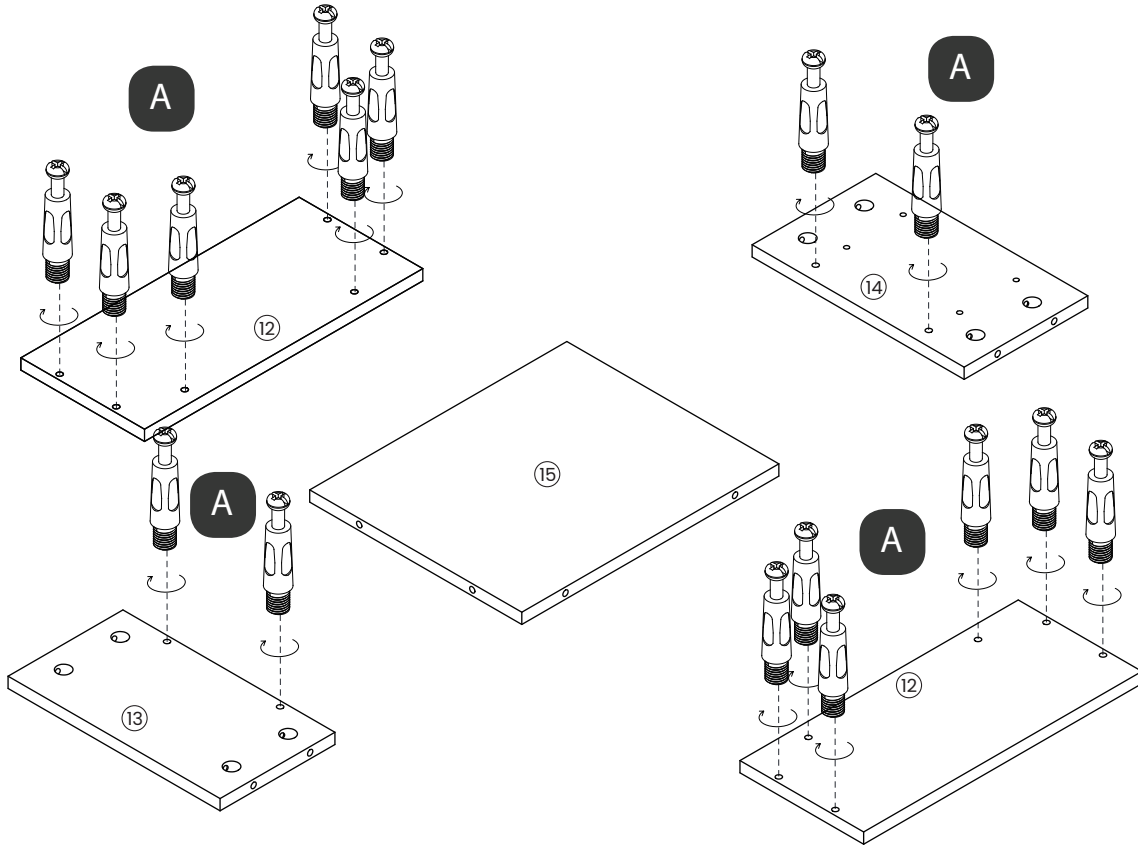


- Carefully place the Leg Apron to the cabinet structure and tighten using 10 cam locks (B) to secure both structures together.



3. Assemble Drawer Base

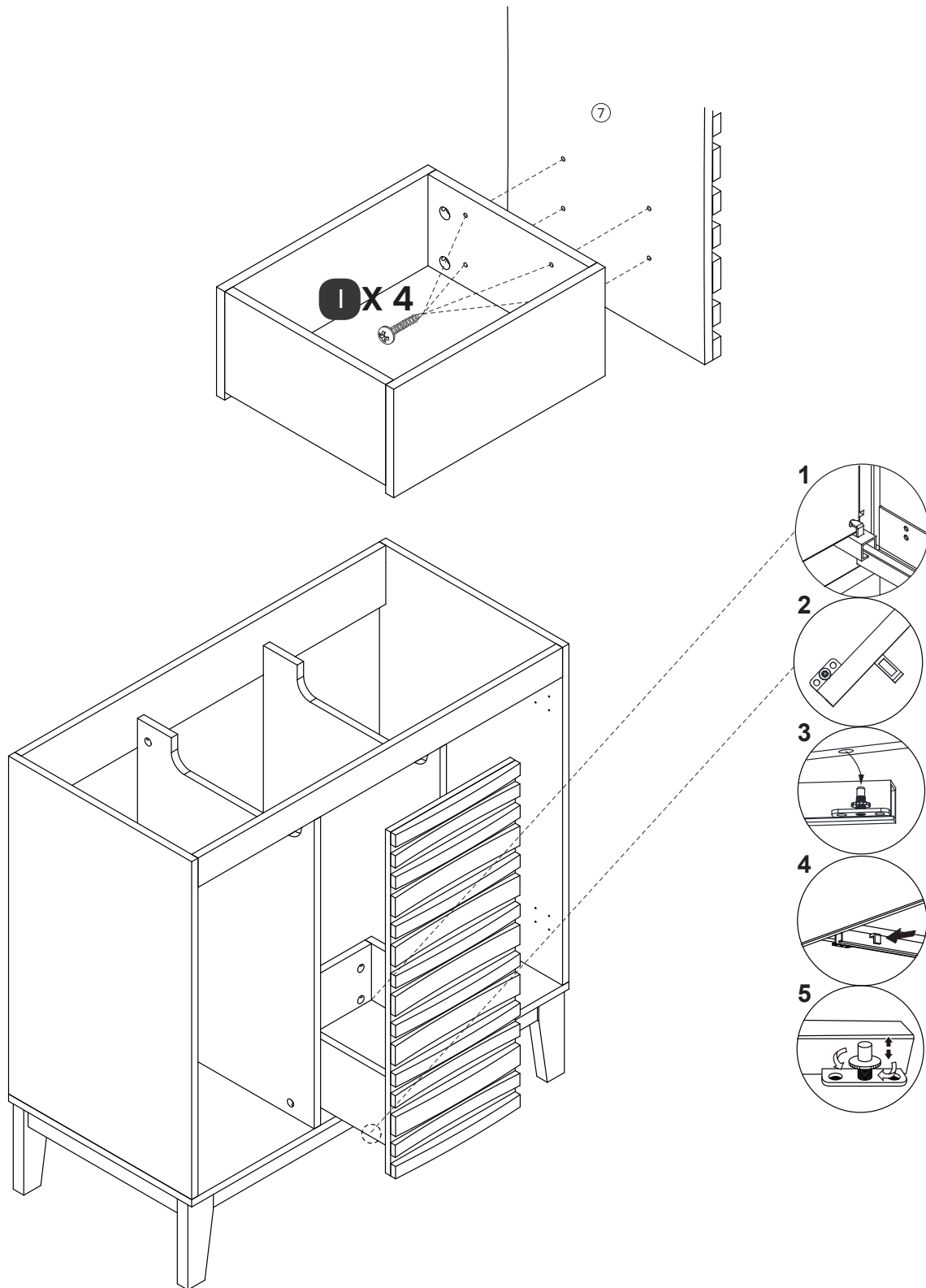
- Screw 12 cam bolts (A) into pre-threaded holes on the two drawer side panel (12).
- Screw 2 cam bolts (A) into pre-threaded holes on the drawer front panel (14).
- Repeat for the drawer back panel (13).



- Connect the Drawer bottom panel (15) to Drawer back panel (13) and Drawer front panel (14). Secure with 4 cam locks (B) as shown.

- Connect 2 Drawer side panel (12) to the drawer base. Secure with 12 cam locks (B) as shown.

- Attach the drawer front panel (14) to the middle door (7) with 4 screws (l) as shown.

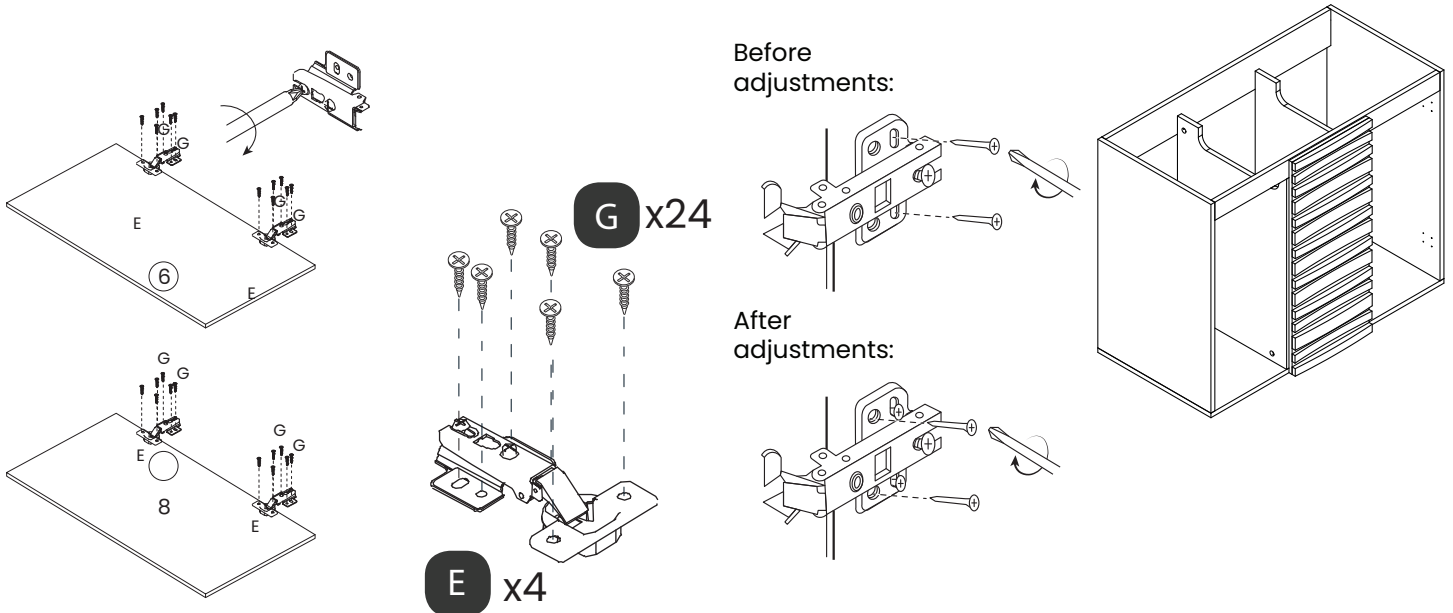


- Locate the drawer into the main assembly along the slider rails.

4. Attach Doors

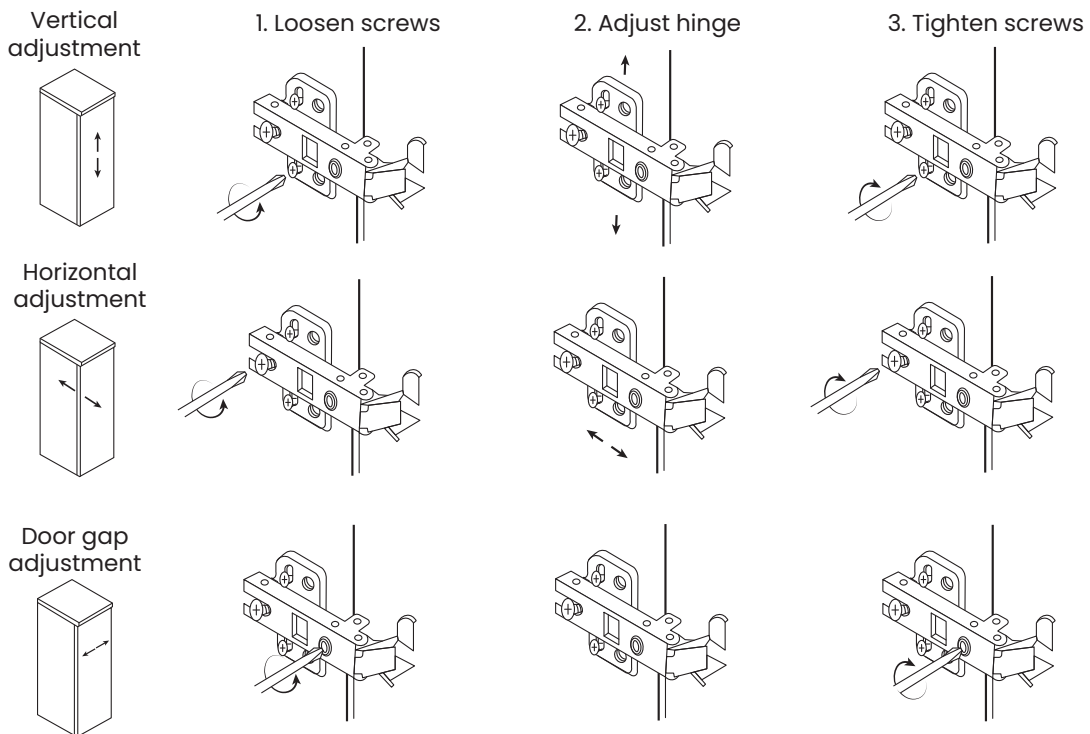
Install 2 hinges (E) to both the left door (6) and the right door (8) using 2 screws (G) per hinge.

- Use an additional 2 screws per hinge to attach the left door (6) and right door (8) to the cabinet. If the door does not align properly, adjust the hinges according to the diagrams below. Once adjustments have been completed, secure the hinges using 2 screws (G) each.



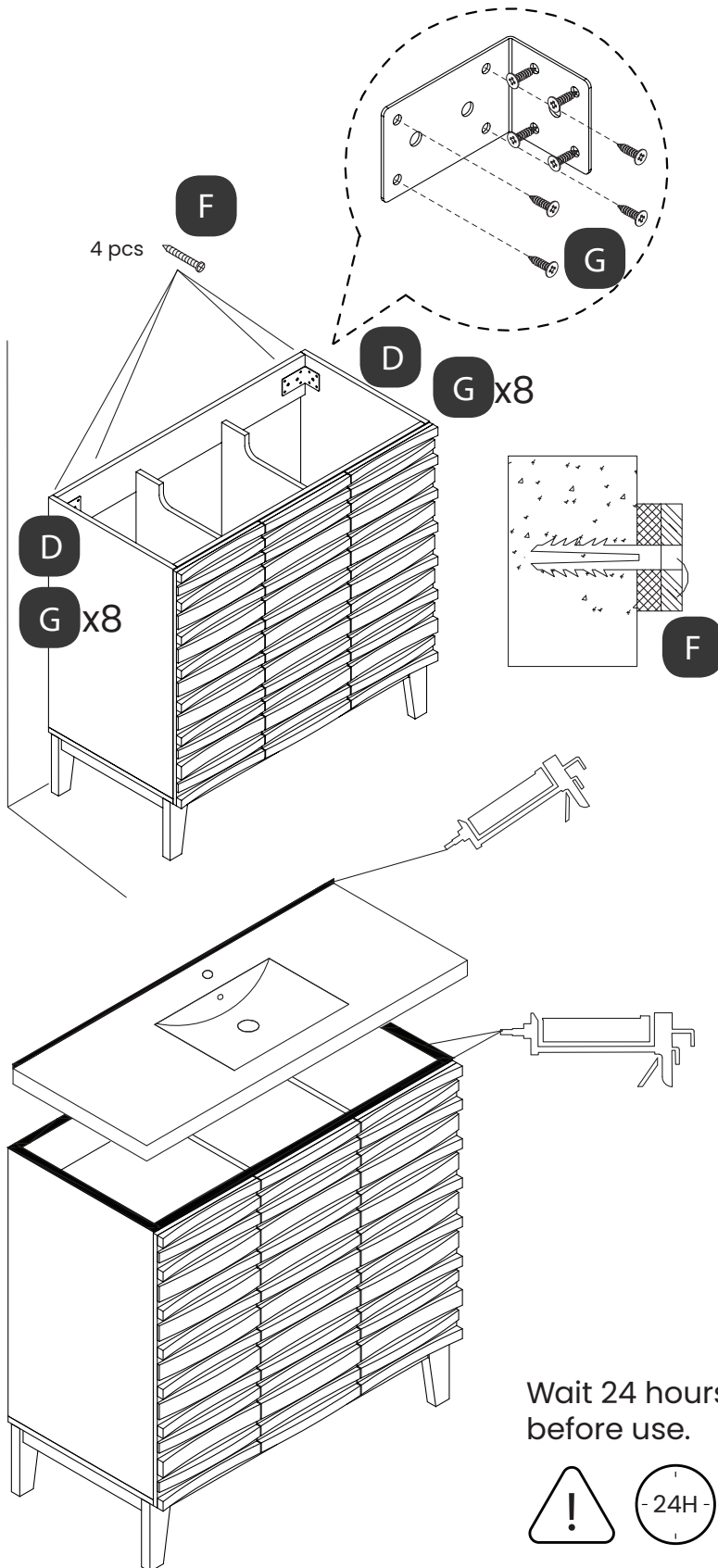
Hinge/Door Adjustment and Realignment

If adjustment or realignment is needed, follow the instructions provided in the following chart.



5. Secure Vanity to Wall

Attach the 2 metal brackets (D) to the cabinet body using 16 screws (G) as shown.
 Mark desired mounting location on wall and ensure placement is level.
 Select installation option from below.



Option 1: Securing to Drywall

- Position cabinet against wall in desired location.
- Using a pencil, make a mark on the wall through the holes in each bracket (D).
- Move cabinet away from the wall. Create a pilot hole in each mark on the wall, then insert the plastic anchor (F).
- Place cabinet against the wall, insert a screw (F) through the metal bracket (D) into each hole in the wall, then tighten to plastic anchors (F) to secure the vanity.

Option 2: Securing to Drywall & Wood Stud

- Position cabinet against wall in desired location, be sure desired mounting location aligns with existing wood studs.
- Insert screw (F) through the holes in the metal bracket (D), then tighten through the drywall into the wood stud. Repeat this step for the other metal bracket (D) to secure the vanity.

6. Vanity Top Installation

- Install faucet and drain according to manufacture's installation instruction. Do not overtighten, this may cause the sink to crack.
- Set the vanity top on top of the vanity base, checking the location of the p-trap and drain.
- Remove vanity top from vanity base.
 Apply a thin bead of silicone around the vanity base and set the vanity top carefully in place.
- Remove excess silicone with a wet cloth.

Wait 24 hours before use.



ONE YEAR LIMITED WARRANTY

Swiss Madison® products are made with quality materials and excellent craftsmanship to provide our customers with beautiful, durable, long-lasting products. Should there be any defects in materials or craftsmanship under regular use that are discovered within the first year of installation, Swiss Madison® will provide replacement parts at no charge, or at its discretion, replace any product or part of the product that is deemed defective, under normal installation, use, service or maintenance. This warranty applies only to the original purchaser. Proof of purchase will be required in the instance of a claim.

Swiss Madison® recommends all installations of Swiss Madison® products to be conducted by a licensed, professional plumber or contractor. Swiss Madison® will not be held responsible for any damage or product failure due to improper installation, misuse, or failure to utilize a licensed professional for installation. Swiss Madison® is not responsible for any installation or removal costs.

This One Year Limited Warranty Will Be Voided If:


- The installation recommendations were not followed by the installer
- The product has been moved from its initial place of installation
- The product has in any way been modified from its packaged state
- The product has been subjected to improper maintenance, abuse, misuse, excessive use of chemicals, accidents, or other damages, etc.

Swiss Madison® makes no implication that its products comply with any local building or plumbing codes. It is the consumer's responsibility and obligation to determine local code compliance prior to and during installation. This warranty extends only to the original purchaser and first consumer.

Swiss Madison® is not responsible for any special, incidental or consequential damages associated with the installation, replacement, return or use of the original purchaser's product. This includes, but is not limited to: freight costs, labor, travel time, lost profit, home damages and other contingent liabilities and costs (including, without limitation, costs associated with 'professionals' or 'experts', investigations, audits, analyses, attorneys and any other professional/hired services).

The Swiss Madison® warranty is a comprehensive and explicit limit of liability. All items not disclosed within the warranty are not addressable within the responsibility of Swiss Madison®. Certain states have variances regarding implied warranties; in those situations, we remain fully compliant.

**If you have any questions or concerns, please contact us directly at
1-434-MADISON (623-4766)**

 **WARNING:** Contents of your order may contain sharp and possibly other harmful pieces and may cause hazard to children and adults. Swiss Madison® is not responsible in any way for personal damages.