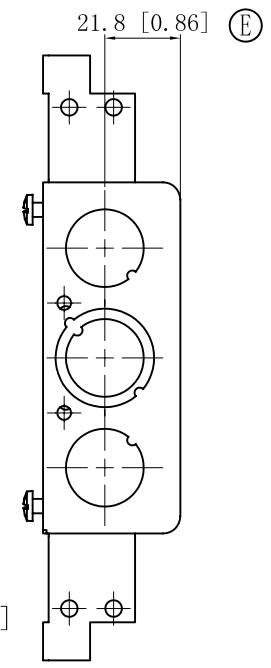
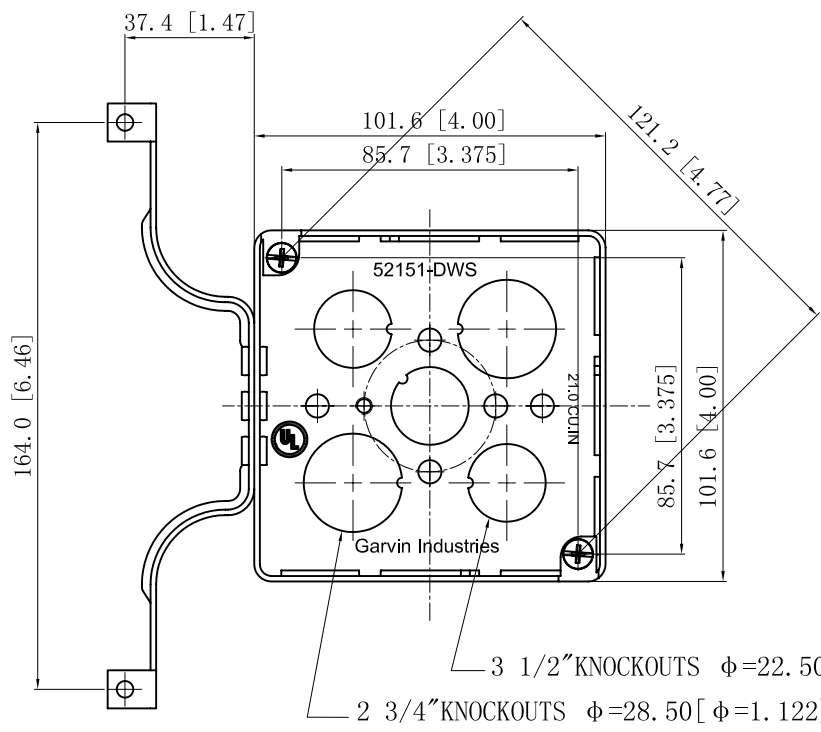
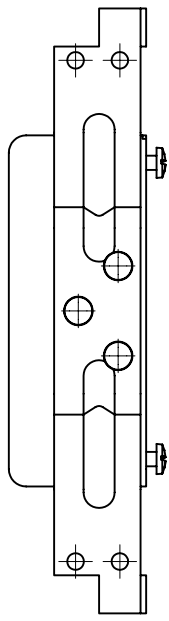
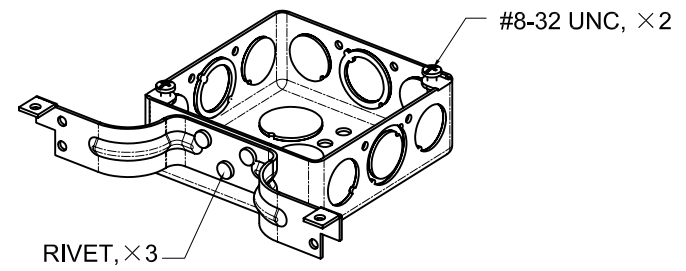
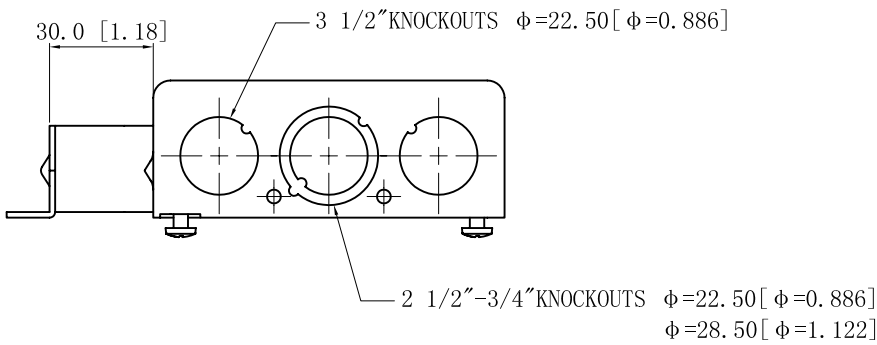


SIDES	BOTTOM
6 1/2" KNOCKOUTS	3 1/2" KNOCKOUTS
3 1/2"-3/4" KNOCKOUTS	2 3/4" KNOCKOUTS
2 PCS 8-32x1/2 Screws Installed	
Material: Steel-0.0625"-G60 Galvanized	



DESCRIPTION
TRADE REFERENCE TERMS

STANDARD PACKING
25 PCS

This data sheet is for reference only. GARVIN INDUSTRIES reserves the right to make changes to the design without prior notice.

<b>GARVIN INDUSTRIES</b>			
4" SQ. BRACKET BOXES (1-1/2" DEEP)			
SIZE	DWG NO.	TITLE	REV
A4	52151-DWS	4" SQ. BRACKET BOXES (1-1/2" DEEP)	E
DATA SHEET			