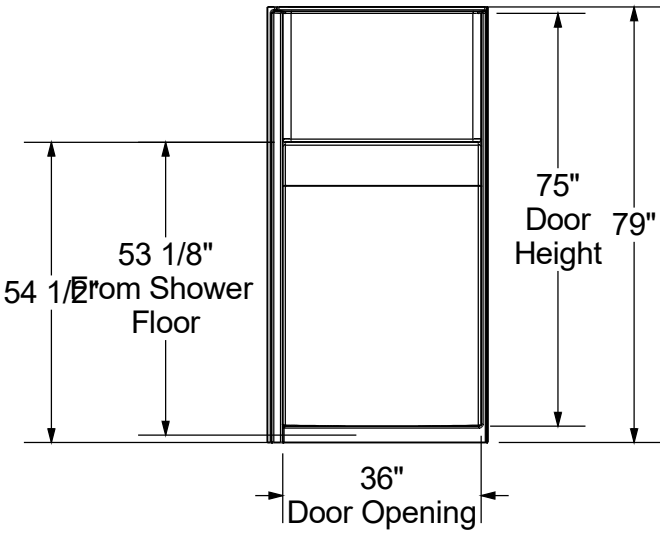
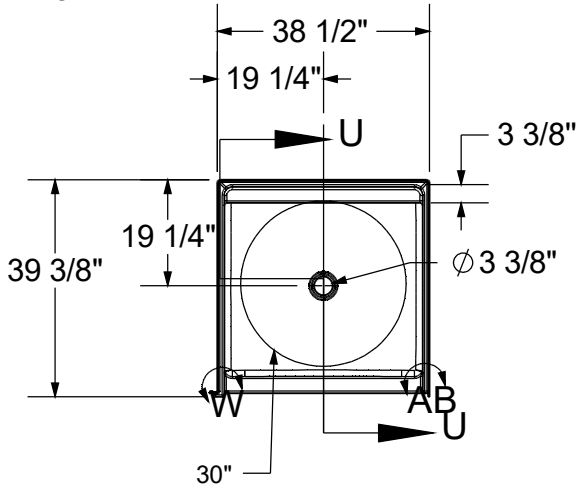
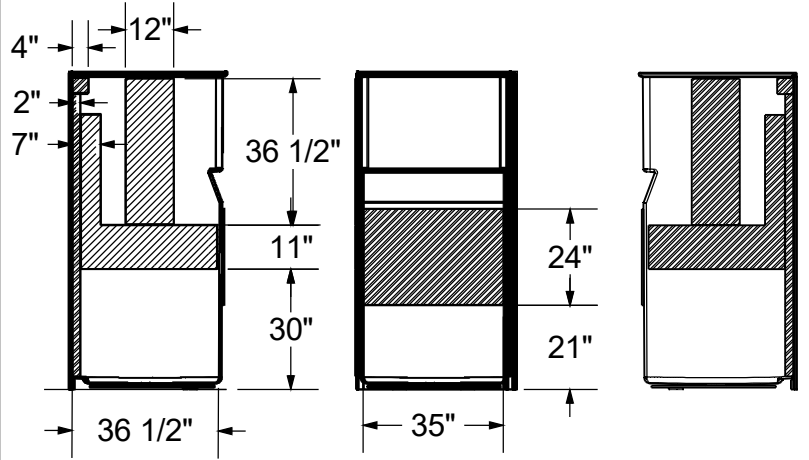


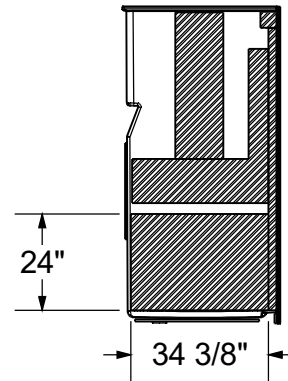
BASE MODEL



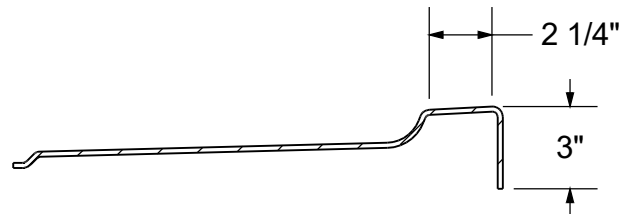
STANDARD REINFORCEMENT BACKING



SEAT OPTIONAL REINFORCEMENT BACKING



THRESHOLD DETAIL



- All dimensions are approximate
- Structure measurements must be verified against the unit to ensure proper fit
- Installation to be completed in accordance with manufacturers specifications
- Do not scale drawings