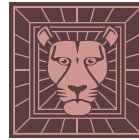


60" S

JAMES MARTIN

Item Number:

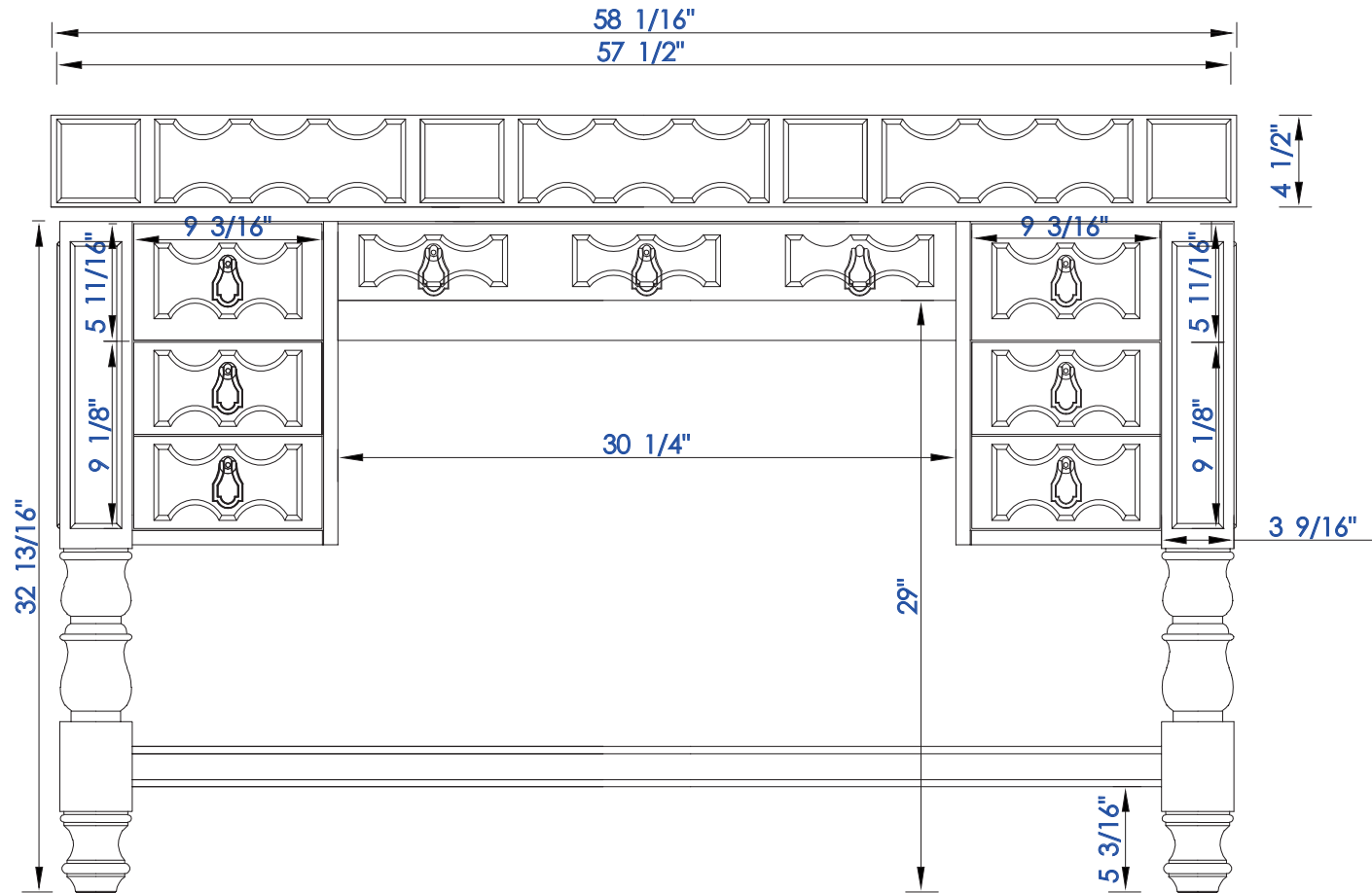
161-V60S-BNM
161-V60S-CWH
161-V60S-UGR



VANITIES™

Brittany 60" Single Vanity

Diagrams with Dimensions
page 01 of 03



NOTE ONE: Countertops are not shown in these diagrams. (Cabinet Only)

NOTE TWO: Wood Backsplash (Shown) is designed for the molding detail to align with sinks in James Martin's Optional Countertops.

Customer's own countertops and sinks may align differently.

Please consult our website for Countertop Diagrams: www.jamesmartinvanities.com

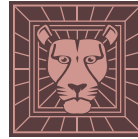
Version: 201906

60" S

JAMES MARTIN

Item Number:

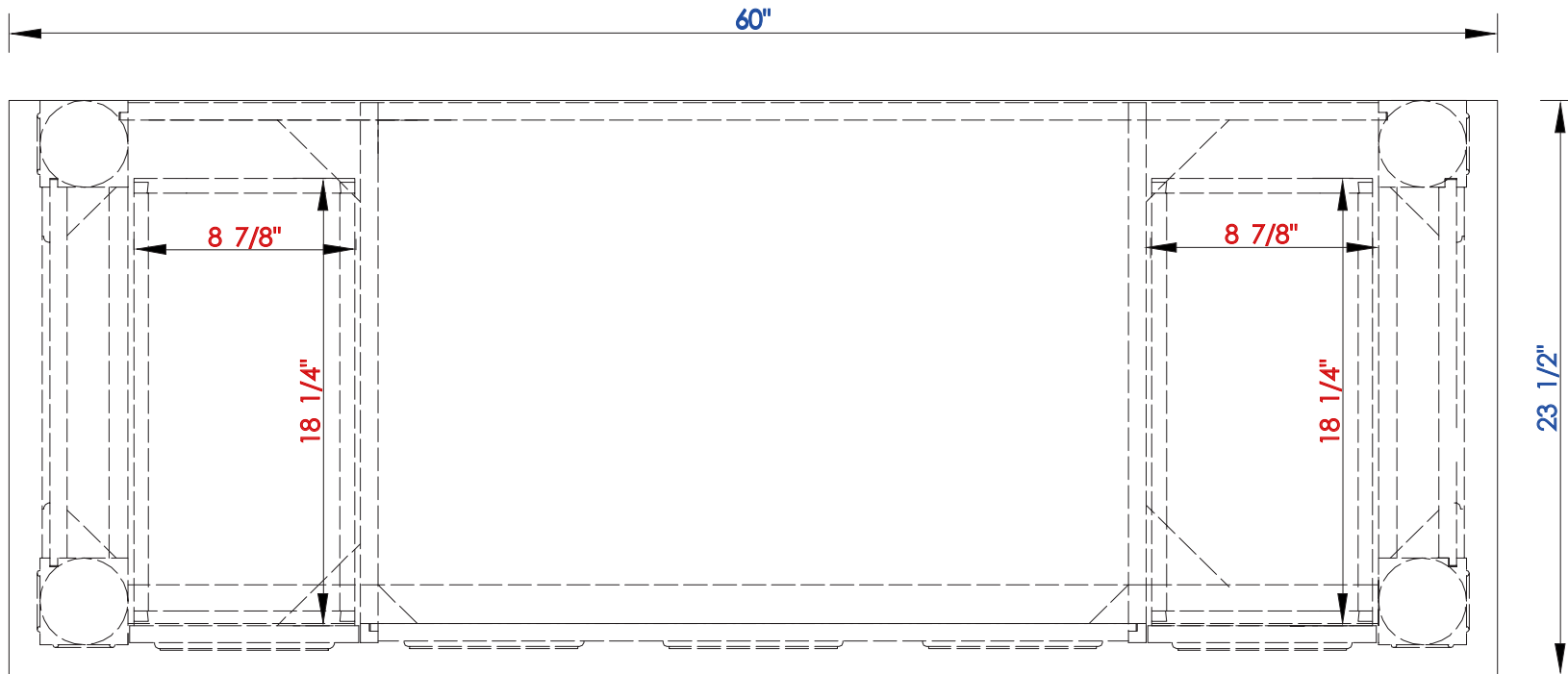
161-V60S-BNM
161-V60S-CWH
161-V60S-UGR



VANITIES™

Brittany 60" Single Vanity

Diagrams with Dimensions
page 02 of 03



NOTE ONE: Countertops are not shown in these diagrams. (Cabinet Only)
Please consult our website for Countertop Diagrams: www.jamesmartinvanities.com

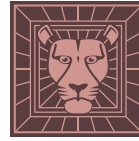
Version: 201906

60" S

JAMES MARTIN

Item Number:

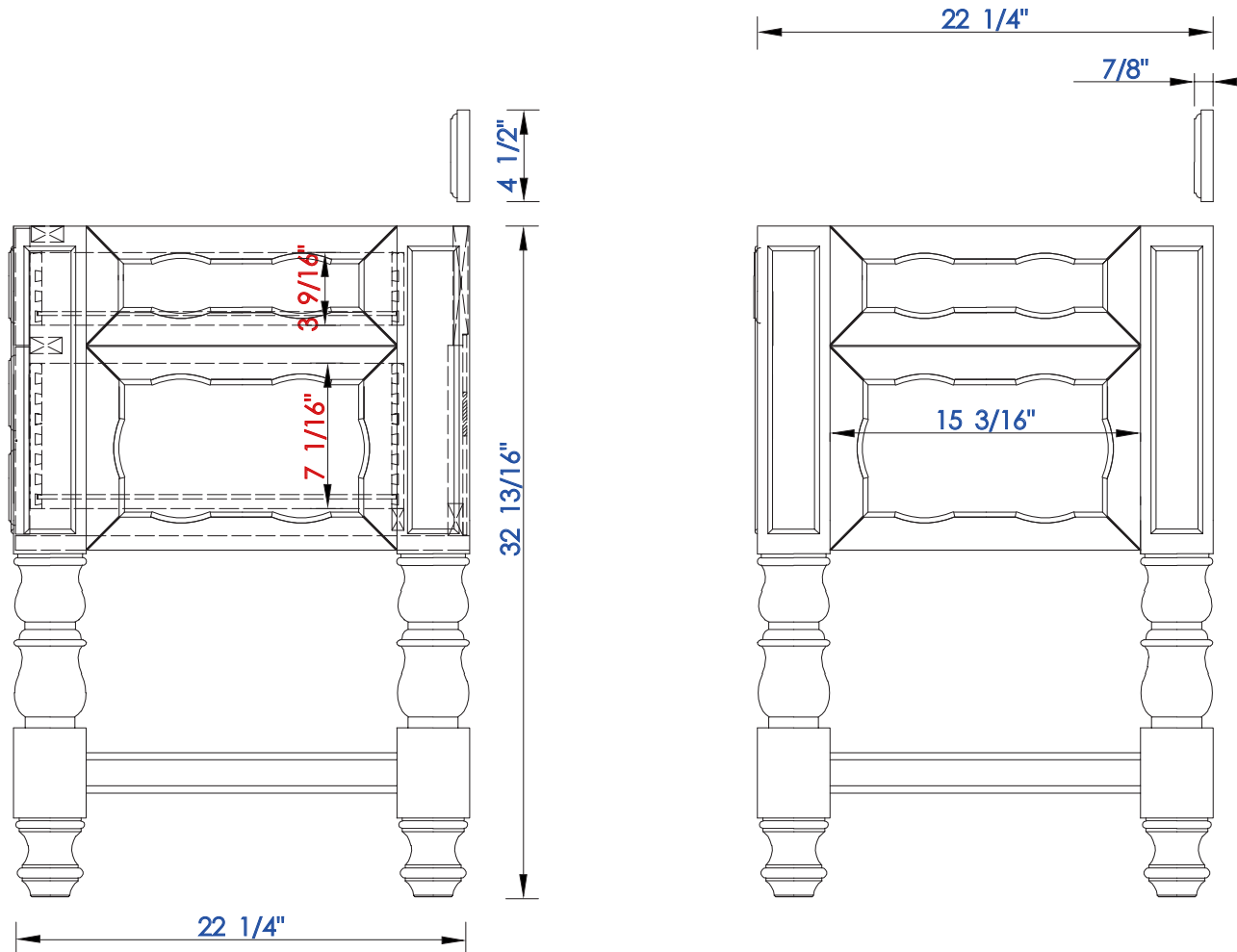
161-V60S-BNM
161-V60S-CWH
161-V60S-UGR



VANITIES™

Brittany 60" Single Vanity

Diagrams with Dimensions
page 03 of 03



NOTE ONE: Countertops are not shown in these diagrams. (Cabinet Only)

NOTE TWO: Wood Backsplash (Shown) is designed for the molding detail to align with sinks in James Martin's Optional Countertops.

Customer's own countertops and sinks may align differently.

Please consult our website for Countertop Diagrams: www.jamesmartinvanities.com

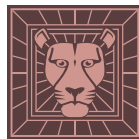
Version: 201906

1524 mm

JAMES MARTIN

Item Number:

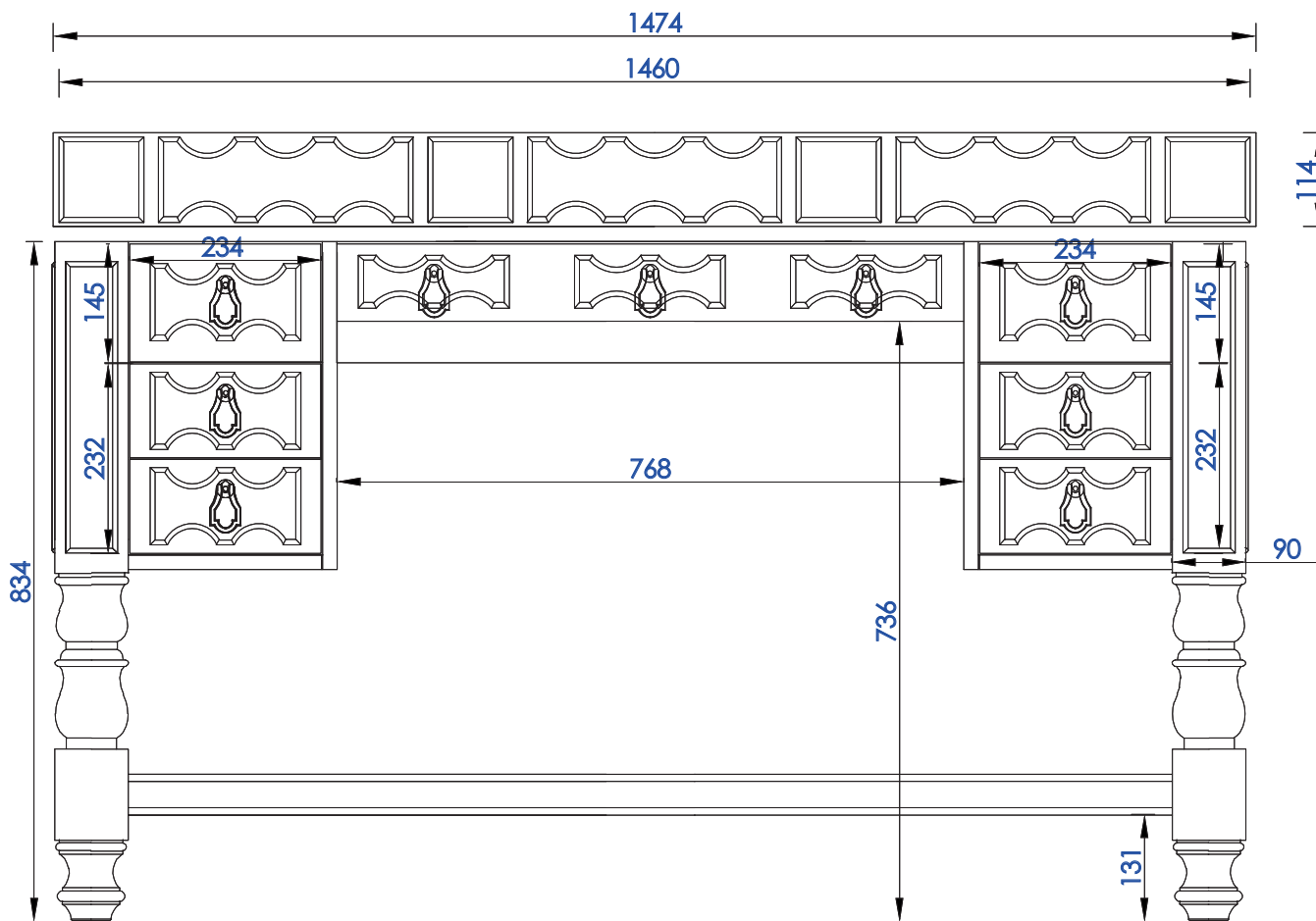
161-V60S-BNM
161-V60S-CWH
161-V60S-UGR



VANITIES™

Brittany 1524mm Single Vanity

Diagrams with Dimensions
page 01 of 03



NOTE ONE: Countertops are not shown in these diagrams. (Cabinet Only)

NOTE TWO: Wood Backsplash (Shown) is designed for the molding detail to align with sinks in James Martin's Optional Countertops.

Customer's own countertops and sinks may align differently.

Please consult our website for Countertop Diagrams: www.jamesmartinvanities.com

Version: 201906

1524 mm

Item Number:

- 161-V60S-BNM
- 161-V60S-CWH
- 161-V60S-UGR

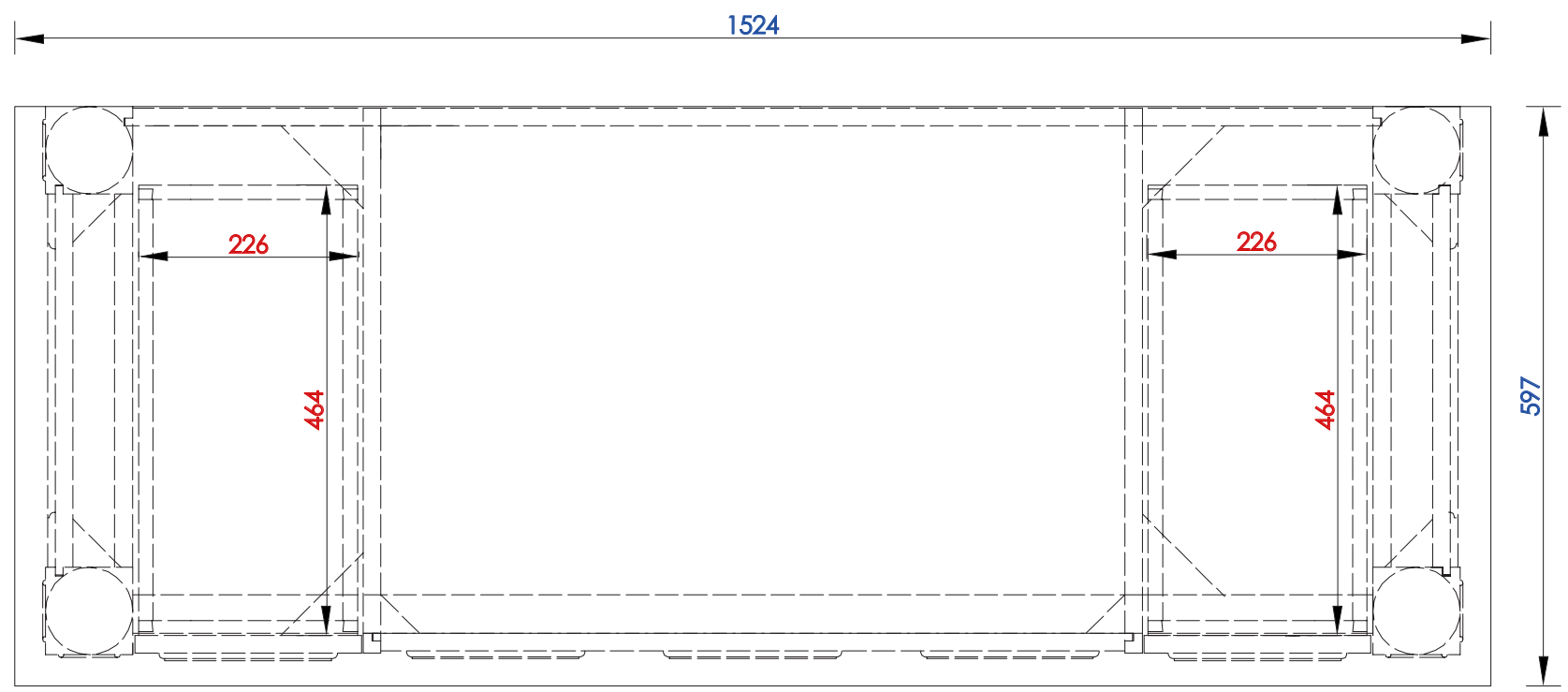
JAMES MARTIN



VANITIES™

Brittany 1524mm Single Vanity

Diagrams with Dimensions
page 02 of 03



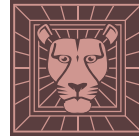
NOTE ONE: Countertops are not shown in these diagrams. (Cabinet Only)
Please consult our website for Countertop Diagrams: www.jamesmartinvanities.com

1524 mm

JAMES MARTIN

Item Number:

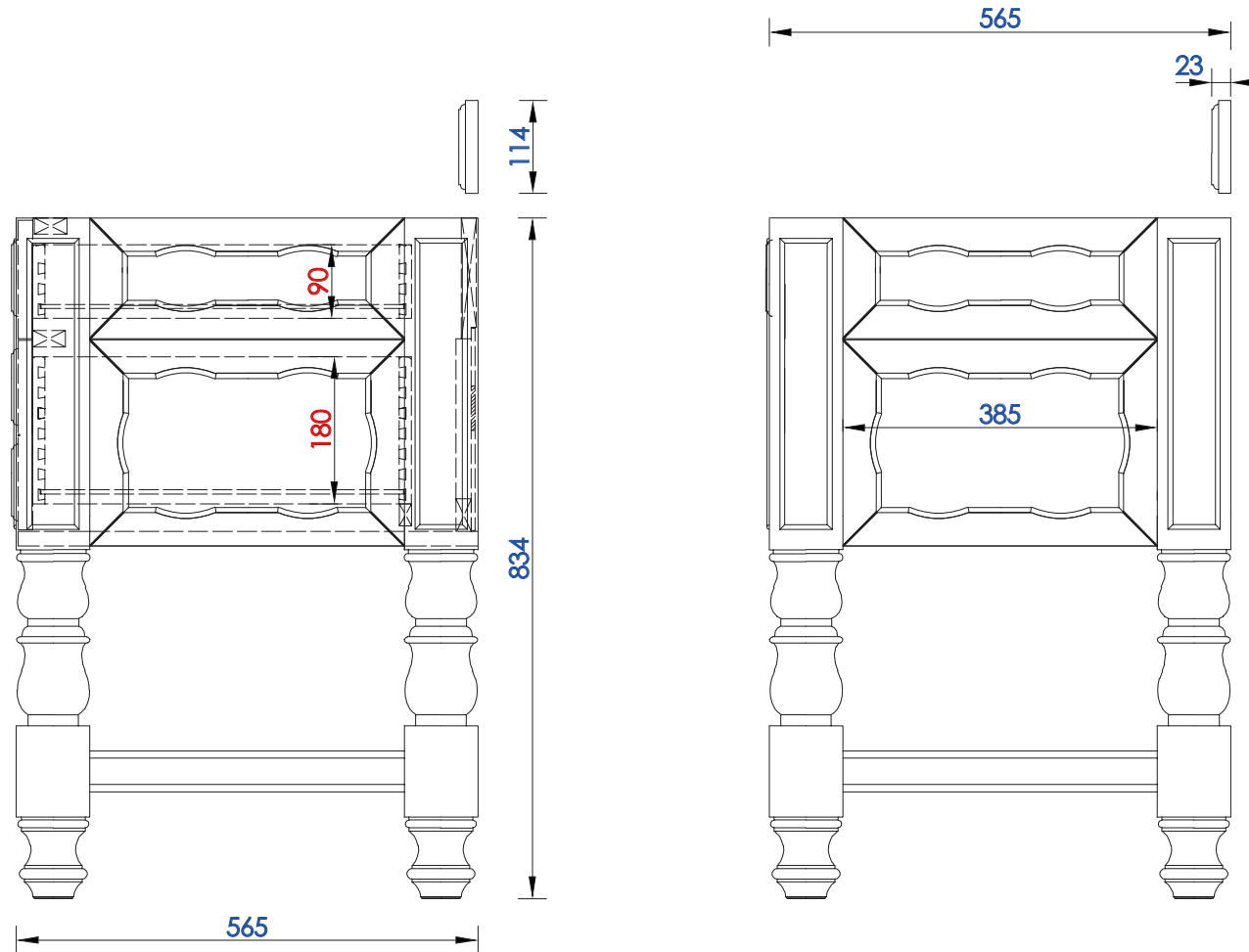
161-V60S-BNM
161-V60S-CWH
161-V60S-UGR



VANITIES™

Brittany 1524mm Single Vanity

Diagrams with Dimensions
page 03 of 03



NOTE ONE: Countertops are not shown in these diagrams. (Cabinet Only)

NOTE TWO: Wood Backsplash (Shown) is designed for the molding detail to align with sinks in James Martin's Optional Countertops.

Customer's own countertops and sinks may align differently.

Please consult our website for Countertop Diagrams: www.jamesmartinvanities.com

Version: 201906