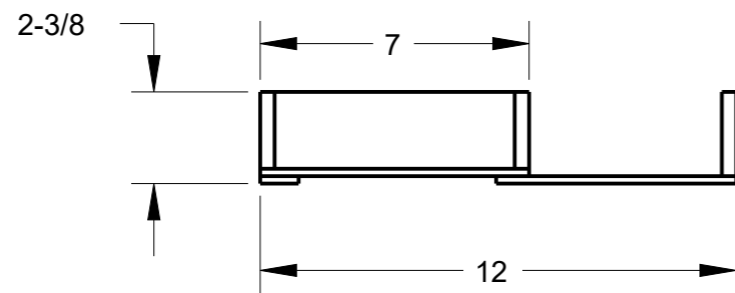
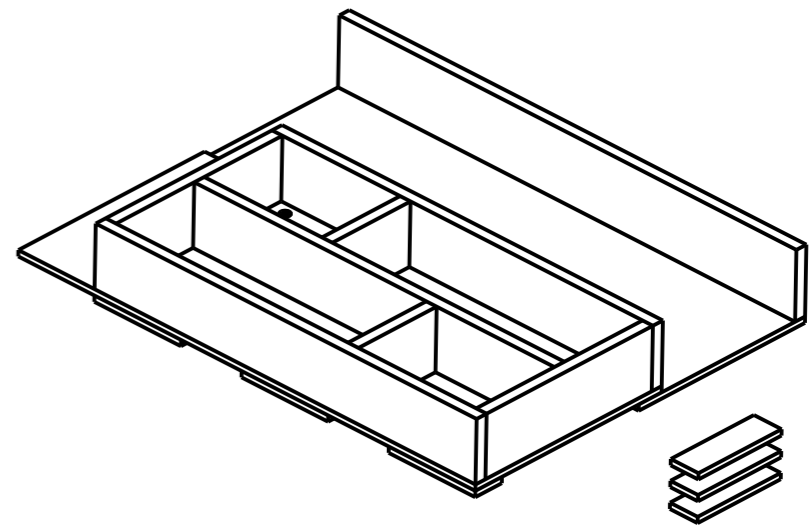
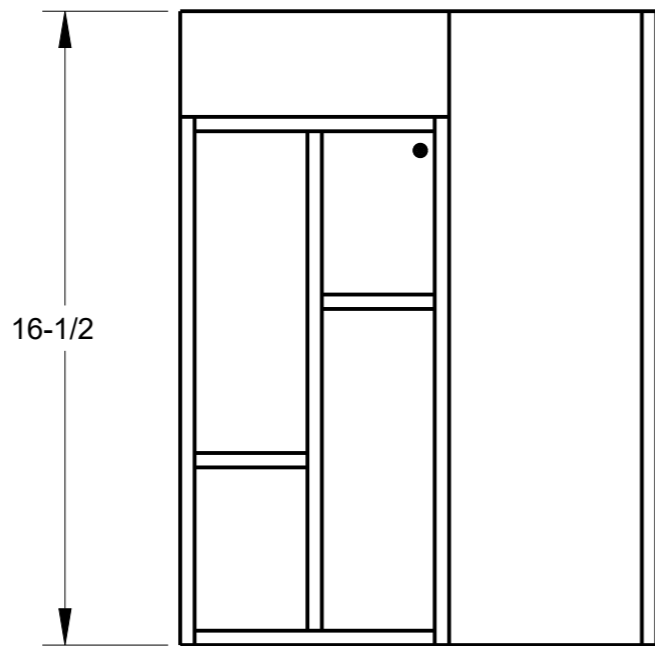


8 7 6 5 4 3 2 1

F
E
D
C
B
A

F
E
D
C
B
A



HARDWARE RESOURCES RESERVES THE RIGHT TO CHANGE SPECIFICATIONS WITHOUT NOTICE. IN CASE OF A DISCREPANCY, ACTUAL PART GEOMETRY SUPERSEDES THIS DOCUMENT.

THE INFORMATION CONTAINED WITHIN THIS DRAWING IS THE SOLE PROPERTY OF HARDWARE RESOURCES INC. ANY REPRODUCTION IN PART OR WHOLE WITHOUT WRITTEN PERMISSION OF HARDWARE RESOURCES INC. IS PROHIBITED.

DOCUMENT STATUS Released	
UNLESS OTHERWISE SPECIFIED DIMENSIONS ARE IN INCHES (IN)	
MATERIAL WOOD	FINISH UV COATED
THIRD ANGLE PROJECTION 	DATE 11AUG2023

DESCRIPTION ADJUSTABLE MODERN VANITY DRAWER INSERT, 7-12in		
DRAWING NUMBER VO12A		REV A
SIZE A3	SCALE 0.200	SHEET 1 / 1

8 7 6 5 4 3 2 1