

USER'S MANUAL

616UAB

BLUETOOTH® | MP3-COMPATIBLE DIGITAL
MEDIA AM/FM RECEIVER



BOSS®
AUDIO SYSTEMS

CONTENTS

Precautions.....	1
Lithium Battery Cell Warnings	1
Take Precaution.....	1
Installation.....	2-3
Installation Procedures	2
Installation Opening.....	2
Wiring Connections.....	3
Removal of the Main Unit	3
Overview of the Components	4
Operating Instructions	4-6
Power On/Off	4
Adjust Volume (VOL)	4
Adjust Menu Options (SEL)	4
Manual Tuning / Auto Seek.....	4
Next/Previous Track.....	4
Faste Forward/Backward	4
Change the Source (SRC)	4
Setting Time (DISP)	5
Change Bands (BAND).....	5
Automatic Store Preset station (AMS)	5
Select the track or file for playback in MP3 format	5
To Store / Recall Preset Stations	5
Play / Pause	5
Mute On/Off	5
Introduction Scan	5
Repeating the Track.....	5
Playing all tracks in random	5
Track/Folder Navigation	5
USB Connection.....	6
AUX Socket	6
Reset	6
Remote Control	6
Button Names and Locations.....	6
Bluetooth Operation.....	7
Pair and Connect	7
Make a Call	7
Redial Last Dialed Number	7
Answer a Call.....	7
End a Call	7
Switch Audio Between Car and Phone	7
Adjust Talk Volume.....	7
Bluetooth Music (A2DP).....	7
Troubleshooting.....	8
Specifications	9

Lithium Battery Cell Warnings

- Cell leakage may cause damage to the remote control.
- Do not throw cells into fire, as this may cause an explosion.
- Keep battery cells out of reach of children.

Take Precaution

- To reduce the risk of fire, electric shock, and annoying interference, do not repair yourself. Please refer serving to qualified person.
- Some MP3/WMA files may not be playable.
- Keep lower volumes to concentrate on traffic and road conditions.
- If the battery is disconnected or discharged or changed, the preset memory will be erased and must be reprogrammed.
- Installation of unit is better at a horizontal position, or if it is at an angle, it may be not working at its best situation.
- Be sure to lower the volume before switching off the unit or the ignition key.

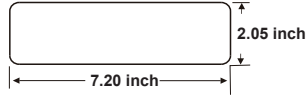
INSTALLATION

Installation Procedures

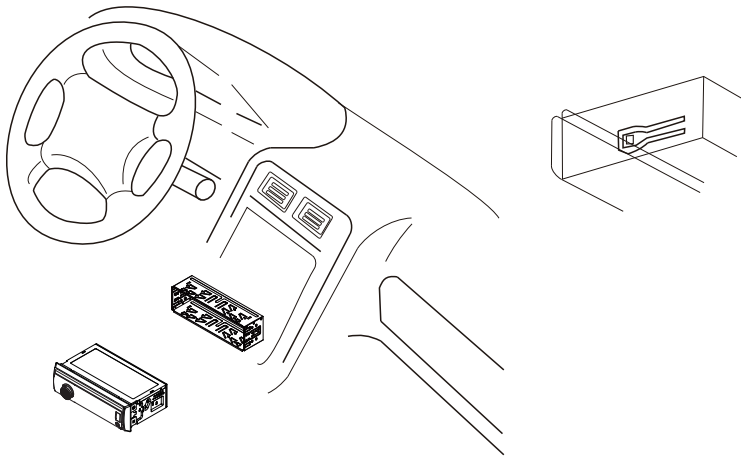
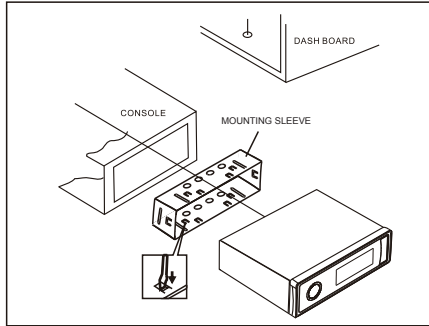
First complete the electrical connections and then check for correctness.

Installation Opening

This unit can be installed in any dashboard Having an opening as shown below.



Insert mounting collar into the dashboard and bend the mounting tabs out with a screwdriver. Make sure that lock lever(※) is flush with the mounting collar(not projecting outward).

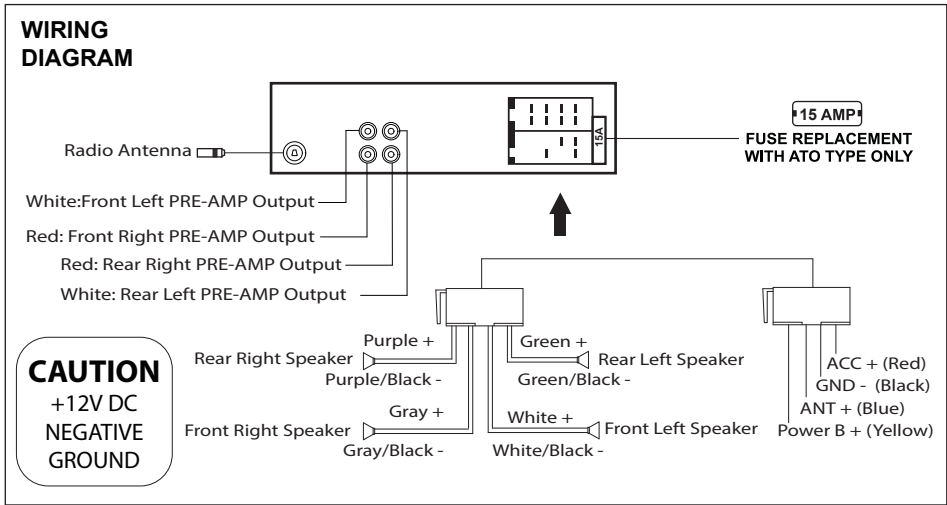


INSTALLATION(CONT.)



- Only use speakers with 4 ohms impedance.
- The maximum current of the Amp remote trigger is 200mA.

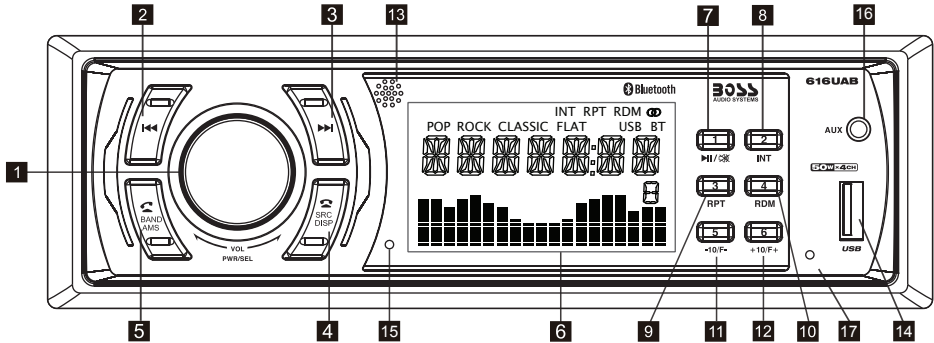
Wiring Connections



Removal of the Main Unit

1. Remove the plastic trim out from the main unit.
2. Insert a bracket key into the left and right side of the main unit and draw the unit out of the mounting sleeve.

Overview of the Components



Operating Instructions

1. Turn the Unit on/off (PWR)

Press any button to turn on the unit. Press and hold the **VOL/PWR/SEL** button to turn off the unit.

Adjust the volume (VOL)

Rotate the **VOL** knob to increase or decrease the volume level.

Adjust Audio/Menu Options (SEL)

- Press **SEL** button repeatedly to cycle through the following adjustable audio functions:
 - ILL MID/HI/LOW: This receiver is equipped with 3 brightness settings. Rotate the volume knob to preset the illumination to middle, high or low.
 - BASS/TREBLE: -7, -6, ~, 1, 0, +1, ~, +6, +7
 - BALANCE: L7, L6, ~, L1, 0, R1, ~, R6, R7
 - FADER: R7, R6, ~, R1, 0, F1, ~, F6, F7
 - EQ (Equalizer) Setting: OFF, CLASS, ROCK, POP, FLAT
 - Loudness: LOUD ON/OFF
 - DX/LOCAL: Enables or disables the local broadcast mode (LOCAL).
 - Stereo/Mono: Switches between MONO and STEREO reception mode for radio frequencies.
 - CLOCK 12/24: Select between 12 hours and 24 hours display.
Note: If 12 hour display is selected, AM= Morning; PM= Afternoon
 - AREA US/EU: This car radio is equipped the USA / Europe frequency. Rotate the volume knob to switch between USA and Europe frequency. The system will change the frequency setting in about 3 seconds.
- Rotate the knob to adjust the selected item.

2. 3. Manual Tuning / Auto Seek

In the radio mode:

Press and hold the **▶▶** or **◀◀** button to enter the manual tuning mode. In manual tuning mode, briefly press the **▶▶** or **◀◀** button to search the next or previous frequency step by step.

Press the **▶▶** or **◀◀** button, the automatic search will start, it will search upward or downward for the strong signal radio station within the current band. The auto searching will stop until find a station.

Next/Previous Track; Fast Forward/Backward

In the USB mode:

Briefly press the **▶▶** or **◀◀** button to play the the next or previous track.

Press and hold the **▶▶** or **◀◀** button to fast forward or fast backward.

4. Change the Source (SRC)

Press this button to select the different modes: Radio, USB(with USB device inserted), AUX-IN(auxiliary input) and BT(Bluetooth) modes.

Operating Instructions

Setting Time

Press and hold the **SRC/DISP** button to display time. Press the **SRC/DISP** button again, the hours digits start flashing on the display. Set hours by rotating the VOL knob.

Press the **SEL** button (VOL knob) again. The minute digits start flashing.

Set minutes by rotating the VOL knob.

Press the **SRC/DISP** button to confirm your settings.

5. Change Bands

In radio mode, shortly press the **BAND/AMS** button to switch between the FM1(F1), FM2(F2), FM3(F3) and AM1(A1), AM2(A2) bands.

Automatic Store Preset station (AMS)

Press and hold the **BAND/AMS** button to start the automatic station scanning. The search process can take some minutes. The stations are stored according to signal strength. Then, the saved stations are played for a short time. Press any station button to quit the operation.

Briefly press the BAND button on the remote control to scan each preset station in each band.

Select the track or file for playback in MP3 format

a) Press and hold the **BAND/AMS** button to enter track search mode. First "TRK0000" will appear on the display.

b) Rotate the volume knob and select the "first number". Then press the **◀** button to move the "first number" to the left and enter the next number.

c) When the desired track number appears, confirm your selection by pressing **SEL** button (VOL knob). If no any operation in 5 seconds, it will play the current track.

6. LCD Display

7~12. To Store / Recall Preset Stations

The radio can be stored 6 preset stations for each band (FM1, FM2, FM3, AM1 and AM2) for a total of 30 preset stations.

- To memorize a station:

Press and hold one of the six preset buttons (1-6) to save a radio station.

- To recall a preset station:

Briefly press the respective station button (1-6) to recall the corresponding preset station.

Play / Pause

Press the **▶** button to interrupt the playback of a music title (pause function). Press this button again to continue the playback.

MUTE On/Off

During AUX mode, briefly press the **▶/⊗** button to toggle mute on or off.

Introduction Scan

Press the **INT** button to play the first 10 seconds of all track. Press again to stop the introduction scan, and play the current track.

Repeating the track

Press the **RPT** button to toggle between RPT ALL (Play all track), RPT FLR (Continuously repeats all tracks in current folder) and RPT ONE (Continuously repeats current track).

Playing all tracks in random

Press the **RDM** button. A random playback of all tracks will start. Press the button again to set the normal playback.

Track/Folder Navigation

- Press the **-10/+10** buttons to jump 10 tracks backward or forward. It is required that over 10 tracks be available on the storage medium.

- Press and hold the **F-/F+** button to select the previous or the next folder. (If there are folders on the storage medium.)

Operating Instructions

13. IR remote sensor

14. USB Connection

If you would like to playback data contained on a USB stick, please insert the stick into the USB port. The data will be played automatically.

The USB port of this car radio is also designed for charging for iPhone / android mobile phone. The charging current consumption is 1 ampere.

15. Hands-free Microphone

To receive your voice when you calling by using this bluetooth handsfree system.

16. AUX Socket

Using this socket, it is possible to hear the sound of other playback devices such as MP3 players, CD players etc. through the car loudspeaker.

1. Please connect the external device with a 3.5 mm stereo jack plug to the AUX socket.

2. Press the **SRC/DISP** button repeatedly until "AUX IN" appears in the display.

3. You hear the playback from the external device via the loudspeakers. You can adjust the volume of the external device to a comfortable level with the volume control of this device.

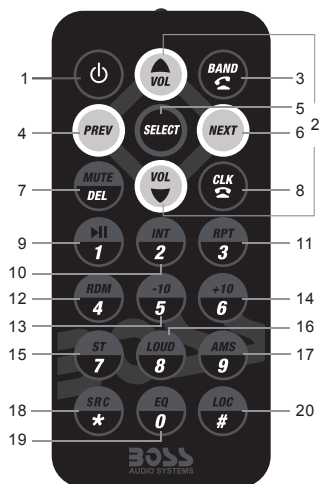
17. Reset

Push the RESET button with a thin object with a pointed end to reset all parameters to factory default settings. This function may be used when the LCD does not display normally or sound is distorted, or when any of controls are disabled.

REMOTE CONTROL

Button Names and Locations

1. ⏻ (Power on/off) button
2. VOL+/VOL- (volume increase/decrease) button
3. Band button, 📶 (answer call) button
4. PREV: tune down, seek down; Track down, fast reverse
5. SEL (selection) button
6. NEXT: tune up, seek up; Track up, fast forward
7. Mute button, DEL (Delete) button
8. CLK (clock setting) button, 📞 (end call) button
9. ▶️ button, preset station 1 button, keypad 1
10. INT (intro) button, preset station 2 button, keypad 2
11. RPT (repeat) button, preset station 3 button, keypad 3
12. RDM (random), preset station 4 button, keypad 4
13. -10 (previous 10 tracks), preset station 5 button, keypad 5
14. +10 (next 10 tracks), preset station 6 button, keypad 6
15. ST (stereo) button, keypad 7
16. LOUD (loudness) button, keypad 8
17. AMS (automatic music search) button, keypad 9
18. SRC (Source) button, keypad *
19. EQ (Equalizer) button, keypad 0
20. LOC (local)/DX button, keypad #






Note: When using the remote control for the first time, you must pull out the protective plastic tab from the battery compartment found on the back of the remote control.

Pair and Connect


Prior to using the Bluetooth device as a handsfree system for a Bluetooth-enabled mobile phone for the first time, you must pair and connect the two devices as follows:

1. In any mode, prior to pairing and connecting, the BT logo flashes in the LCD indicating that no device is connected. To begin pairing, enable BT mode on your mobile phone.
2. When the phone finds the car audio system, the "BOSS 616UAB" will be displayed.
3. Choose the "BOSS 616UAB" from the device list to pair and connect with the car audio system. Upon confirming, the BT logo will stop flashing.
4. When pairing is complete, the mobile phone audio will automatically transfer to the car audio system whenever a call is made or received, or when the mobile phone plays music.


Make a Call

- To make a call, dial the call directly from the paired mobile phone.
- To make a call with this Bluetooth handsfree system.
 - a) When linking up the Bluetooth mobile phone to this car audio handsfree system, press the  button to access the dial telephone number mode, then press the "0~9", * and # button on the remote control to input the telephone number, the entered number will be shown on the LCD.
 - b) If a number has been incorrectly input, press the **DEL** button or  button to delete it.
 - c) Press the  button to make outgoing call.


Redial Last Dialed Number

Press and hold the  button on the control panel to redial the last dialed phone number.

Answer a Call

- When the mobile phone is called, the incoming telephone number displays in the LCD.
- To receive the call, press the  button on the control panel or remote control.

Reject or End a Call

To reject the call or end an active call, press the  button.


Switch Audio Between Car and Phone

During a call, press the **VOL** knob/button to switch the audio source from the car audio system back to your mobile phone.

Adjust Talk Volume

- During a call, use **VOL** knob or **VOL +** and **VOL -** buttons to adjust the volume level.
- Use the **MUTE** button to mute sound.

Audio Streaming (A2DP)

1. Press the /SRC button to enter BT mode and display pause in the LCD.
2. When a mobile device is paired, music played through that device will automatically be heard through the car audio system.
3. Press the >>| or |<< button to play the next or previous song/file on the mobile phone.
4. Press the >|| button to pause or resume music playback.

TROUBLESHOOTING

If you suspect something is wrong, immediately switch power off. Do not use the unit in abnormal condition, for example without sound, or with smoke or foul smell, can cause fire or electric shock.

Immediately stop using it and call the store where you purchased it. Never try to repair the unit by yourself because it is dangerous to do so.

■ General

1) Car's engine switch is not on.

Turn you car's key to ACC or ON.

2) Cable is not correctly connected.

Check the connection.

3) Fuse is burnt.

Replace fuse.

4) Volume is in mute or minimum.

Check volume or mute on/off, adjust volume to a desired level.

5) Sound skips.

The installation angle is more than 30°. Adjust the installation angle less than 30°.

6) The operation keys do not work.

The built-in micro- computer is not operating properly due to noise. Press the RESET button to restore the program to zero.

■ Radio

1) Much noise in broadcasts.

Station or signal is too weak. Select other stations of stronger signal level.

2) The antenna cable is not connected.

Insert the antenna cable firmly into the antenna socket of this car radio.

3) Preset station is reset.

Battery cable is not correctly connected. Connect the battery cable to the terminal that is always live.

■ USB

USB is connecting but no sound

a) USB connection is not good. Take it out and insert again.

b) USB is damaged or no music file inside. Change to another USB or record music inside it.

SPECIFICATIONS

General

Power supply Requirement :	DC 12V
Maximum power output :	50W X 4CH
Speaker impedance :	4 - 8 Ohm
Unit Dimensions(WxHxD) :	7.0 X 2.0 X 3.8 inch
Weight :	1.54 Lb (0.7 kg)
Fuse :	15 A

RADIO

FM

Frequency Range USA / EUROPE:	87.5 MHz - 107.9 MHz / 87.5 MHz - 108.0MHz
Channel step:	200 KHz / 50 KHz

AM

Frequency Range USA / EUROPE:	530 KHz - 1710 KHz / 522-1620 KHz
Channel step:	10 KHz / 9 KHz

USB

Usable Audio Formats	MP3/WMA
USB Port Type	2.0
USB Charging	5V/1A
Pre-amp Output	Front and Rear
Frequency Response	20 Hz - 20 KHz
S/N Ratio	60dB

BT

BT Profile supports :	Headset, Handsfree and A2DP & AVRCP
Range of frequency :	2.4GHz spectrum

USER'S MANUAL

616UAB

BLUETOOTH® | MP3-COMPATIBLE DIGITAL MEDIA AM/FM RECEIVER



BOSS Audio Systems
3451 Lunar Court • Oxnard, CA 93030

www.bossaudio.com

800-999-1236 US Toll-free

805-751-4853 Customer Service

Tech Support: www.bossaudio.com/support/technical-support



0818

iPod® and iPhone® are trademarks of Apple, Inc. registered in the U.S. and other countries. BOSS Audio Systems is not affiliated with Apple, Inc. The Bluetooth® word mark and logos are registered trademarks owned by Bluetooth SIG, Inc. and any use of such marks by BOSS Audio Systems is under license. Other trademarks and trade names are those of their respective owners.