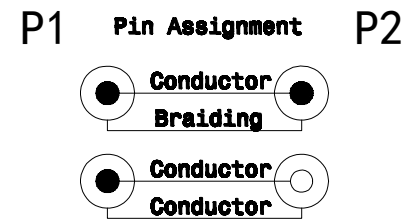
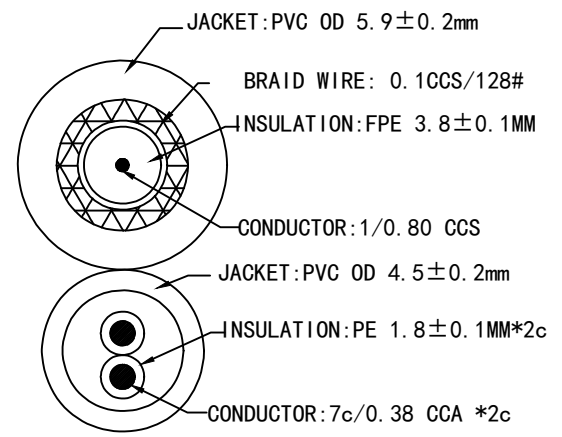
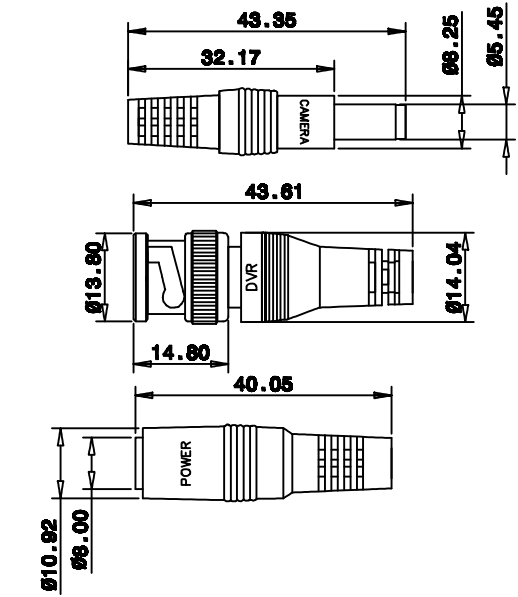
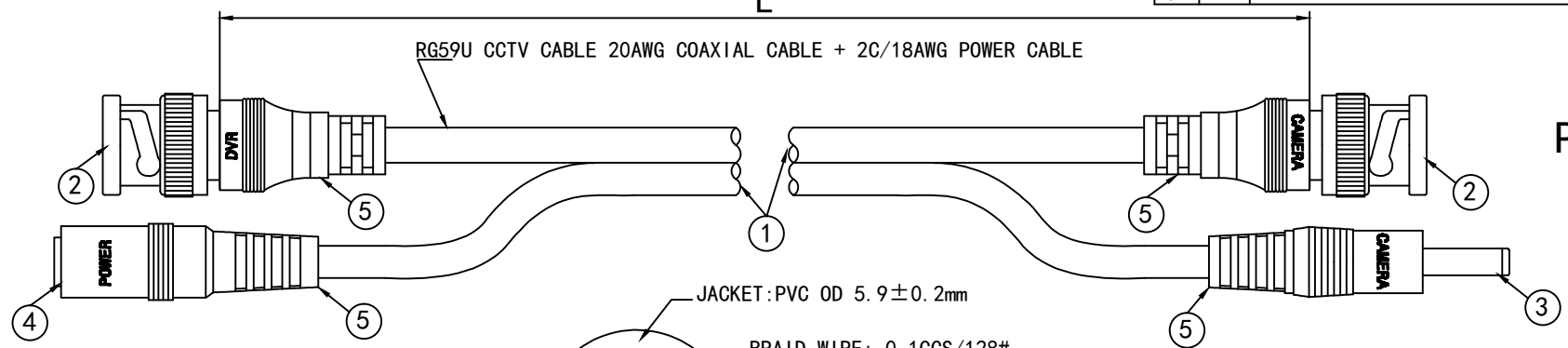


REV.	LTR	ECN/DESCRIPTION	DATE
A/0		NEW RELEASE	2018.06.14

P1

P2

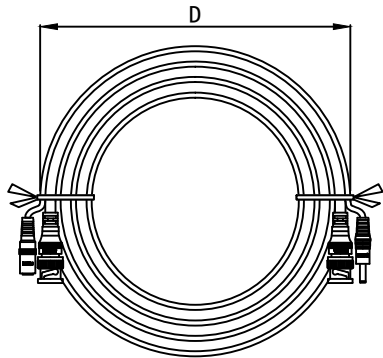


L		
K6230	25FT	7623±50MM
K6231	50FT	15245±100MM
K6232	75FT	22868±150MM
K6233	100FT	30490±200MM

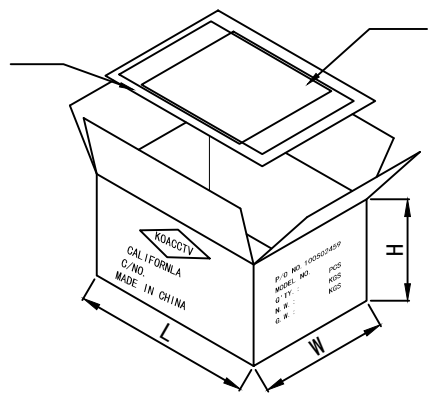
NO	NAME	Description	Q' TY	Unit
1	CABLE	(0.8MM CCS+FPE OD:3.8MM±0.1MM/128#CCS (95%)+PVC OD:5.9±0.2MM)+POWER(0.38MM/7C CCA+PE OD:1.8MM)*1PAIR (RED/BK)+PVC OD:4.5±0.2MM (0.6mm)	AR	FT
2	CONNECTOR	BNC	2	PCS
3	CONNECTOR	DC MALE:2.1*5.5mm	1	PCS
4	CONNECTOR	DC FEMALE:2.1*8.0MM	1	PCS
5	MOLDED	PVC	A/R	g

ASSEMBLY DRAWING		GENERAL TOLERANCES UNLESS SPECIFIED		APPROVED BY: Z. H. HE	TITLE: BNC MALE TO BNC MALE
		SIZE A4	UNITS MM[INCH]	CHECKED BY:	PART NO.: (KOA) K230-K233
SCALE NONE	REV. A/1	.X±0.30 .XX±0.15 .XXX±0.10	X'±3.5" .X'±2.5" .XX'±2.0" .XXX'±1.5"	DESIGN BY:	DWG NO: A0-CML59-0072
				SHEET 1/2	

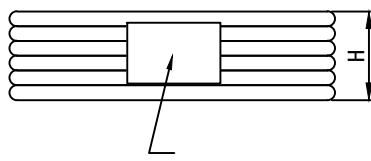
REV.	LTR	ECN/DESCRIPTION	DATE
A0		NEW TYPE	2018.06.16



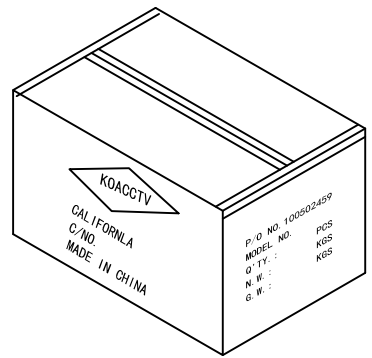
	L	D*D*H±2CM
K6230	25FT	17*17*5CM
K6231	50FT	19*19*8CM
K6232	75FT	21*21*8CM
K6233	100FT	24*24*8CM



	L	
K6230	25FT	34*34CM
K6231	50FT	38*38CM
K6232	75FT	42*21CM
K6233	100FT	48*23CM



	L	L*W*H CM	PCS/
K6230	25FT	36*36*36CM	28
K6231	50FT	40*40*34CM	16
K6232	75FT	44*22.5*41CM	10
K6233	100FT	50*25*34CM	8



PACKING DRAWING		GENERAL TOLERANCES UNLESS SPECIFIED		APPROVED BY: Z. H. HE	TITLE: BNC MALE TO BNC MALE	KARBON <small>AGMAGA (ZHONGSHAN) ELECTRONIC&PLASTIC CO., LTD.</small> <small>TEL: 0760-23805572 FAX: 0760-86332183</small>
SIZE A4	UNITS MM[INCH]	X±0.30 .X±0.25	X*±3.5° .X*±2.5°	CHECKED BY:	PART NO.: (KOA) K230-K233	
SCALE NONE	REV. 1.0	.XX±0.15 .XXX±0.10	.XX*±2.0° .XXX*±1.5°	DESIGN BY:	DWG NO: AO-CML59-0072	SHEET 2/2