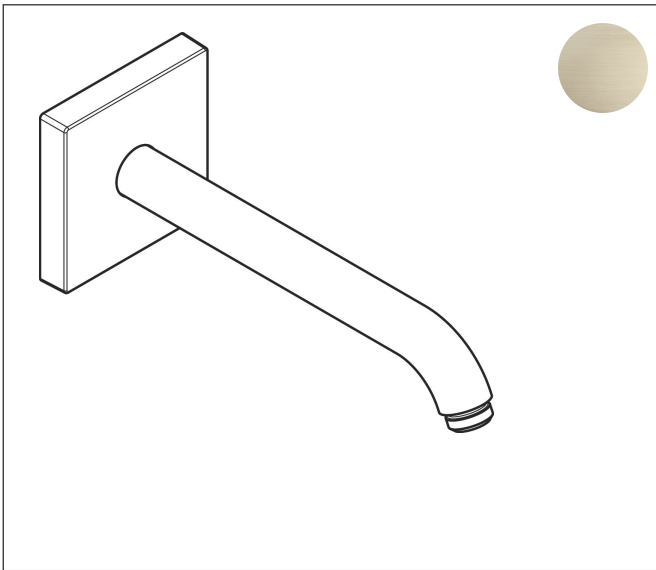


Brand AXOR
Art. Name **AXOR ShowerSolutions** Showerarm 9" Square
Art. Nr. 26430821
Surface brushed nickel
Pos. 1

Product Picture



Features

- length: 9.06"
- Brass
- connection type: 1/2" NPT
- Showerarm, Escutcheon, Mounting Material, Assembly instructions

Drawing

