

BG3017

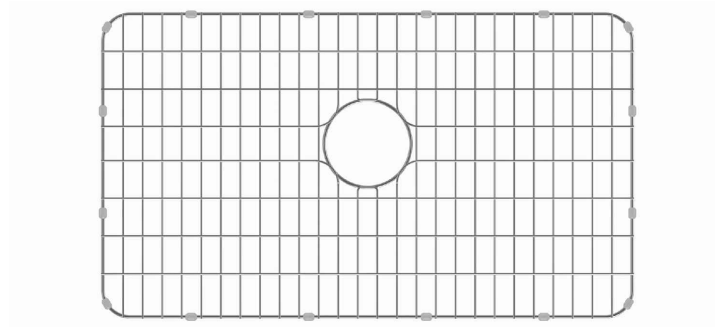
Stainless Steel Kitchen Sink Bottom Grid

Grid Dimensions

Overall Dimensions: 29 1/4" x 16 3/4" x 1/2"

Features

- Commercial grade stainless steel construction
- For Use with the KA1US32B kitchen sink
- Protects bottom of sink from daily wear and tear
- Rubber feet provide additional protection



Warranty

Kraus One Year Limited Warranty

see website for details www.kraususa.com

