

# ASSEMBLY INSTRUCTION

ITEM: 7050-90007-02 Oval Mirror

7050-90007-89 Oval Mirror

7050-90002-02 Seven-Drawer Dresser






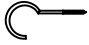

7050-90002-89 Seven-Drawer Dresser

Thank you for purchasing this quality product. Be sure to unpack carefully looking for small parts which may have come loose during shipment.

Read all instruction and study the drawing carefully before starting the assembly process.

**HARDWARE PACK**

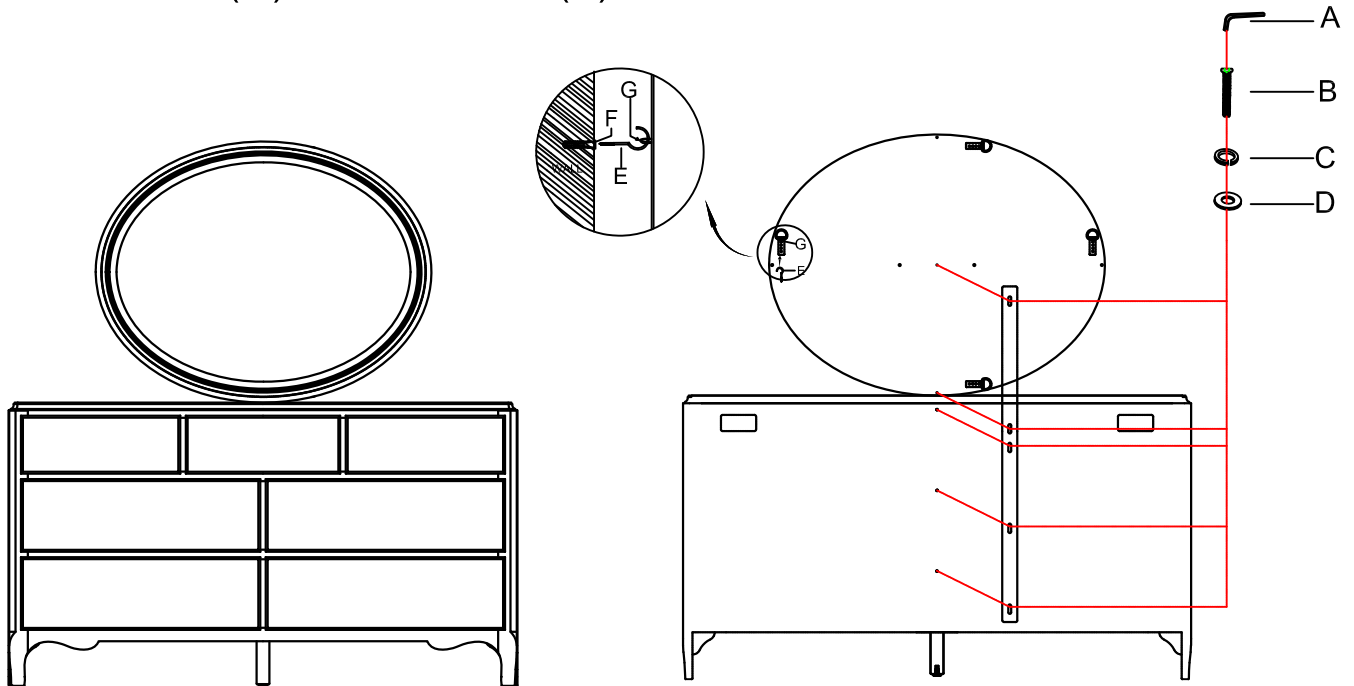
**PART LIST**

NO.	DRAWING	DESCRIPTION	SIZE	Q'TY	NO.	DRAWING	DESCRIPTION	Q'TY
A		Allen Wrench	69*27.2*4mm	1pc	①			1PC
B		Bolt	1/4"	5pcs				
C		Lock Washer	1/4"	5pcs				
D		Flat Washer	5/16"	5pcs				
E		Hook	4*53mm	4PCS				
F		Plastic Anchor	∅ 9*30MM	4PCS				

**Note:**

**7050-90007-02 Oval Mirror and 7050-90007-89 Oval Mirror can be mounted horizontally or vertically.**

When using mirror only, hang the metal ring (G) onto the hook (E).



**OPTION 1**

# ASSEMBLY INSTRUCTION

ITEM: 7050-90007-02 Oval Mirror

7050-90007-89 Oval Mirror

7050-90002-02 Seven-Drawer Dresser

7050-90002-89 Seven-Drawer Dresser

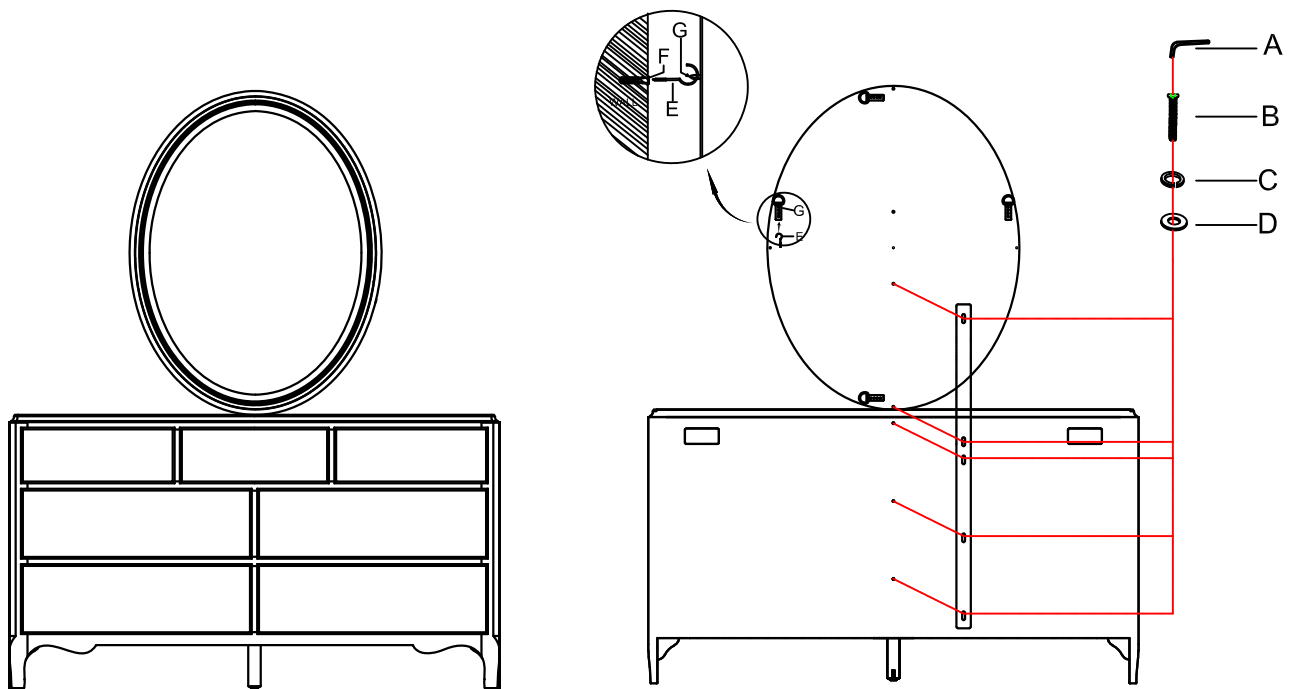
Thank you for purchasing this quality product. Be sure to unpack carefully looking for small parts which may have come loose during shipment.

Read all instruction and study the drawing carefully before starting the assembly process.

**Note:**

**7050-90007-02 Oval Mirror and 7050-90007-89 Oval Mirror can be mounted horizontally or vertically.**

When using mirror only, hang the metal ring (G) onto the hook (E).

**OPTION 2**