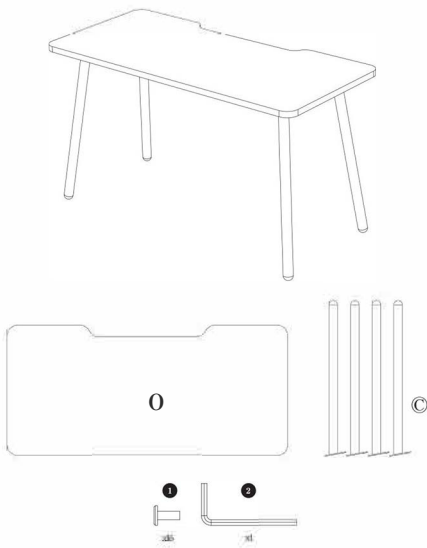


homestyles®

1001-16 Brooklyn Desk

Part List

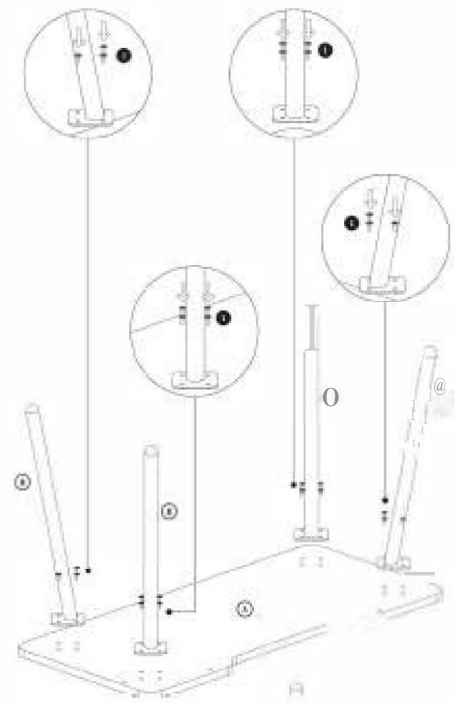


IMPORTANT

Carefully remove all the parts from the carton and place them individually on a soft cloth to prevent scratches or other damages.

Carefully and strictly follow these assembly instructions to ensure a completed product as designed.

STEP 1



STEP 2



STEP 3



CARE INSTRUCTIONS

CLEAN

Dampen a soft cloth in lukewarm soap and water.
Buff with a dry clean cloth.



WARNING

To prevent cracking, do not use power tools above 8 volts to assemble.
To prevent fading, do not place in direct sunlight.
To prevent marking, do not write directly on surface.
To prevent finish damage, do not place hot objects on surface.
To prevent discoloring, do not use rubber based placemats.
To prevent yellowing, do not use commercial waxes and polishes.

Never allow liquids to remain on furniture. Absorption causes parts to warp and split and finishes to delaminate. Never use glass cleaners on finished furniture. Ammonia chemically attacks the finish.

homestyles Customer Service

homestyles will provide replacements free of charge for missing or damaged parts within 30 days of purchase. Digital images of the defective parts may be required. If the product was not purchased from an authorized retailer, homestyles is under no obligation to provide replacement parts. Parts are not available for fully assembled items nor are parts available for sale. Replacements for missing or damaged parts may be requested via contact info below. Thank you for your purchase.

servicedesk@homestylesfurniture.com

888.680.7460

www.homestylesfurniture.com