



MODEL / MODÈLE / MODELO : PBCSL200
PART / PIÈCE / PARTE: 10823

PBCSL200

PORTABLE CHARCOAL GRILL

IMPORTANT, RETAIN FOR FUTURE
REFERENCE: READ CAREFULLY
MANUAL MUST BE READ
BEFORE OPERATING!

BARBECUE À CHARBON PORTABLE

IMPORTANT : À CONSERVER POUR DE
FUTURS BESOINS DE RÉFÉRENCE : À LIRE
SOIGNEUSEMENT. VOUS DEVEZ LIRE CE
GUIDE AVANT D'UTILISER LE BARBECUE !

PARRILLA A CARBÓN VEGETAL

IMPORTANTE, CONSERVE PARA
FUTURA REFERENCIA: LEA
CUIDADOSAMENTE. ¡DEBE LEER EL
MANUAL ANTES DE LA OPERACIÓN!



FOR OUTDOOR AND HOUSEHOLD
USE ONLY. NOT FOR COMMERCIAL
USE. FUEL NOT INCLUDED.

POUR UN USAGE EXTÉRIEUR ET
DOMESTIQUE SEULEMENT. PAS
POUR USAGE COMMERCIAL.
CARBURANT NON INCLUS.

PARA USO AL AIRE LIBRE Y EN EL
HOGAR. NO PARA USO COMERCIAL
COMBUSTIBLE NO INCLUIDO

INSTRUCTIONS AND RECIPES | INSTRUCTIONS ET RECETTES | INSTRUCCIONES Y RECETAS

WARNING: PLEASE READ THE ENTIRE MANUAL BEFORE INSTALLATION AND USE OF THIS ELECTRIC, PELLET FUEL BURNING APPLIANCE. FAILURE TO FOLLOW THESE INSTRUCTIONS COULD RESULT IN PROPERTY DAMAGE, BODILY INJURY OR EVEN DEATH. CONTACT LOCAL BUILDING OR FIRE OFFICIALS ABOUT RESTRICTIONS AND INSTALLATION INSPECTION REQUIREMENTS IN YOUR AREA.

AVERTISSEMENT : VEUILLEZ LIRE L'INTÉGRALITÉ DU MANUEL AVANT L'INSTALLATION ET L'UTILISATION DE CET APPAREIL ÉLECTRIQUE, À GRANULES. NE PAS SUIVRE CES INSTRUCTIONS PEUT ENTRAÎNER DES DÉGÂTS MATÉRIELS OU DES BLESSURES CORPORELLES GRAVES POUVANT ALLER JUSQU'À LA MORT. CONTACTEZ LES RESPONSABLES LOCAUX DE LA CONSTRUCTION OU DES INCENDIES AU SUJET DES RESTRICTIONS ET DES EXIGENCES D'INSPECTION DE L'INSTALLATION DANS VOTRE RÉGION.

ADVERTENCIA: LEA EL MANUAL COMPLETO ANTES DE INSTALAR Y UTILIZAR ESTE APARATO ELÉCTRICO PARA QUEMAR PELLETS DE COMBUSTIBLE. INCUMPLIR ESTAS INSTRUCCIONES PODRÍA CAUSAR DAÑOS MATERIALES, LESIONES CORPORALES, E INCLUSO LA MUERTE. CONSULTE A SUS FUNCIONARIOS LOCALES DE CONSTRUCCIÓN Y CONTROL DE INCENDIOS PARA INFORMARSE SOBRE LAS RESTRICCIONES Y LOS REQUISITOS DE INSPECCIÓN DE INSTALACIONES EN SU REGIÓN.

SAFETY INFORMATION

MAJOR CAUSES OF APPLIANCE FIRES ARE A RESULT OF POOR MAINTENANCE AND A FAILURE TO MAINTAIN REQUIRED CLEARANCE TO COMBUSTIBLE MATERIALS. IT IS OF UTMOST IMPORTANCE THAT THIS PRODUCT BE USED ONLY IN ACCORDANCE TO THE FOLLOWING INSTRUCTIONS.

Please read and understand this entire manual before attempting to assemble, operate or install the product. This will ensure you receive the most enjoyable and trouble-free operation of your new portable charcoal grill. We also advise you retain this manual for future reference.

DANGERS AND WARNINGS

1. A minimum clearance of 25.4cm (10 inches) from combustible constructions to the sides of the grill, and 25.4cm (10 inches) from the back of the grill to combustible constructions must be maintained. Do not use this appliance indoors or in an enclosed, unventilated area. This appliance must not be placed under overhead combustible ceiling, awnings, parasols, gazebos or overhang. Keep your grill in an area clear and free from combustible materials, gasoline and other flammable vapors and liquids.

Should a grease fire occur, leave the lid closed until the fire is out. Do not throw water on. Do not try to smother the fire. Use of an all-class (class ABC) approved fire extinguisher is valuable to keep on site. If an uncontrolled fire does occur, call the Fire Department.

2. This outdoor grill is not intended for installation in/on recreation vehicles or boats.

Never use this appliance in an enclosed space, such as a camper, tent, car, boat or home. This appliance is not intended for and should never be used as a heater or a furnace.

3. This appliance is not recommended for children, persons with reduced physical, sensory or mental capabilities, or lack of experience and knowledge, unless they are under direct supervision or instruction by a person responsible for their safety.
4. Do not obstruct the flow of combustion and ventilation air to this appliance. Keep the portholes clean and free from debris. Clean before use. Inspect the unit prior to use for fatigue and damage, and replace when necessary. Regular care and maintenance is required to prolong the lifespan of your unit.
5. Do not cook before the fuel has a coating of ash.

6. Parts of the barbecue may be very hot, and serious injury may occur. Keep young children and pets away while in use. Do not touch hot surfaces. Use heat-resistant gloves, long-handled tongs, or cooking mitts at all times, since the grill will become very hot. Open the lid carefully when cooking to avoid burns from the hot air and steam trapped inside. When opening the lid at high temperatures it is essential to lift the lid only slightly, which allows air to enter slowly and safely, preventing any back-draft or flare-ups that may cause injury. May emit hot embers while in use.

Do not use gasoline, white spirit, lighter fluid, alcohol or other similar chemicals for lighting or relighting. Use only firelighters complying to EN1860-3. Keep all such substances and liquids well away from appliance when in use.

7. It is highly recommended that you use charcoal briquettes in your grill. Do not use coal in this product. Charcoal not included. Failure to follow this warning could lead to fire, bodily harm, and will void your warranty.

CARBON MONOXIDE (“THE SILENT KILLER”)

Always use a gas appliance outdoors in an open area with good ventilation to avoid breathing toxic fumes from combustion or leaking gas. Carbon monoxide is a colorless, odorless, tasteless gas produced by burning gas, wood, propane, charcoal or other fuel. Carbon monoxide reduces the blood’s ability to carry oxygen. Low blood oxygen levels can result in headaches, dizziness, weakness, nausea, vomiting, sleepiness, confusion, loss of consciousness or death. Follow these guidelines to prevent this colorless, odorless gas from poisoning you, your family, or others:

- See a doctor if you or others develop cold or flu-like symptoms while cooking or in the vicinity of the appliance. Carbon monoxide poisoning, which can easily be mistaken for a cold or flu, is often detected too late.
- Alcohol consumption and drug use increase the effects of carbon monoxide poisoning.

Carbon monoxide is especially toxic to mother and child during pregnancy, infants, the elderly, smokers, and people with blood or circulatory system problems, such as anemia, or heart disease.



TABLE OF CONTENTS

Safety Information	2	Care & Maintenance	11
Parts & Specs.....	6	Tips & Techniques	12
Assembly Preparation.....	7	Troubleshooting	13
Assembly Instructions		Replacement Parts.....	14
Installing The Fan Batteries.....	7	Warranty	
Inserting The Inner Shell	7	Conditions	15
Assembling The Charcoal Box	8	Exceptions	16
Positioning The Cooking Grid	8	Ordering Replacement Parts.....	16
Securing The Grill Lid	8	Contact Customer Service.....	16
Operating Instructions		Warranty Service	16
First Use – Grill Burn-Off	9	Accessories Sold Separately.....	17
Preheating.....	9		
Start-Up Procedure	9		
Refuelling The Grill.....	10		
Shutting Off Your Grill.....	10		



COPYRIGHT NOTICE

Copyright 2021. All right reserved. No part of this manual may be copied, transmitted, transcribed, stored in a retrieval system, in any form or by any means without expressed written permission of,

Dansons

3411 North 5th Avenue, Suite 500, Phoenix, AZ, USA 85013
sales@pitboss-grills.com | service@pitboss-grills.com

www.pitboss-grills.com

Customer Service

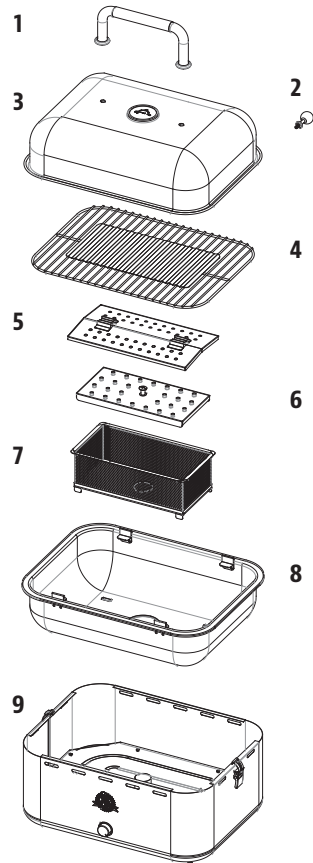
Monday through Sunday, 4am - 8pm PST (EN/FR/ES)

Toll-Free: 1-877-303-3134, Fax: 1-877-303-3135

PARTS & SPECS

Part#	Description
1	Lid Handle
2	Vent Handle
3	Grill Lid
4	Cooking Grid
5	Charcoal Box Lid
6	Charcoal Box Airflow Plate
7	Charcoal Box
8	Inner Shell
9	Grill Body

NOTE: Due to ongoing product development, parts are subject to change without notice. Contact Customer Service if parts are missing when assembling the unit.



MODEL		UNIT ASSEMBLED (WxDxH)
PB	PBCSL200	43.9cm x 35.6cm x 38.1cm / 17.2 in x 14.0 in x 15.0 in
UNIT WEIGHT	COOKING AREA	FUEL SOURCE
6.26 kg / 13.8 lb	TOTAL - 1096 cm ² / 170 sq. in.	Charcoal Briquettes

ASSEMBLY PREPARATION

Parts are located throughout the shipping carton, including underneath the grill. Inspect the grill and parts after removing from the protective shipping carton. Discard all packaging materials from inside and outside of the grill before assembly, then review and inspect all parts by referencing the parts list. If any part is missing or damaged, do not attempt to assemble. Shipping damage is not covered under warranty. Contact your dealer or Pit Boss Customer Service for parts: Monday through Sunday, 4am - 8pm PST (EN/FR/ES).

service@pitboss-grills.com

Toll-Free: 1-877-303-3134 | Toll-Free Fax: 1-877-303-3135

Tools required for assembly: none

ASSEMBLY INSTRUCTIONS

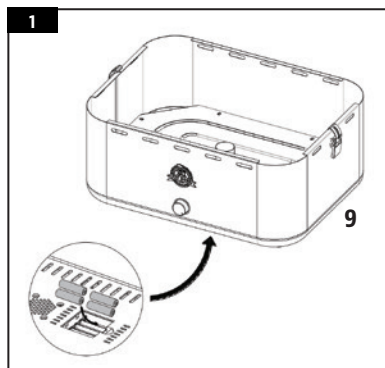
1. INSTALLING THE FAN BATTERIES

Parts Required:

- 1 x Grill Body (#9)
- 4 x AA Batteries (not included)

Installation:

- Place the grill body on a clean, level surface. Tip the unit backwards (or flip over) and remove the battery compartment cover. Install four batteries, and replace cover.



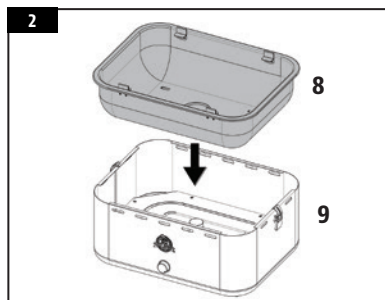
2. INSERTING THE INNER SHELL

Parts Required:

- 1 x Inner Shell (#8)

Installation:

- Insert the inner shell into the grill body. The rimmed lip of the inner shell will rest on the edges of the grill body.



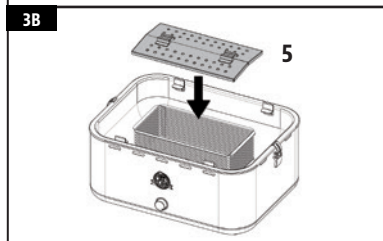
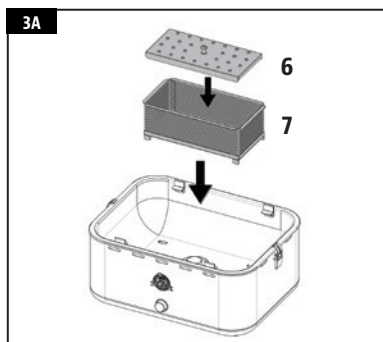
3. ASSEMBLING THE CHARCOAL BOX

Parts Required:

- 1 x Charcoal Box (#7)
- 1 x Charcoal Box Airflow Plate (#6)
- 1 x Charcoal Box Lid (#5)

Installation:

- Place the charcoal box into the inner shell of the grill. The feet of the charcoal box will position correctly into the grooves on the bottom.
- Next, place the charcoal box airflow plate into the base of the charcoal box. This creates space between the fan and the fuel for airflow. Note 3A.
- Lastly, rest the charcoal box lid on the top of the charcoal box. Note 3B.



4. POSITIONING THE COOKING GRID

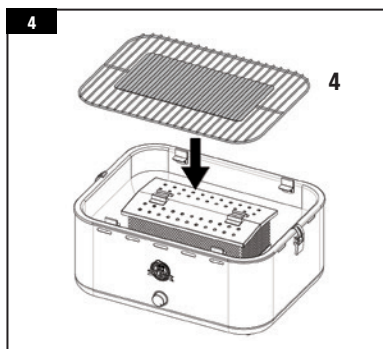
Parts Required:

- 1 x Cooking Grid (#4)

Installation:

- Place the cooking grid into the grill, resting the edges on the interior ledges of the inner shell.

IMPORTANT: The griddle in the centre of the cooking grid should face up.



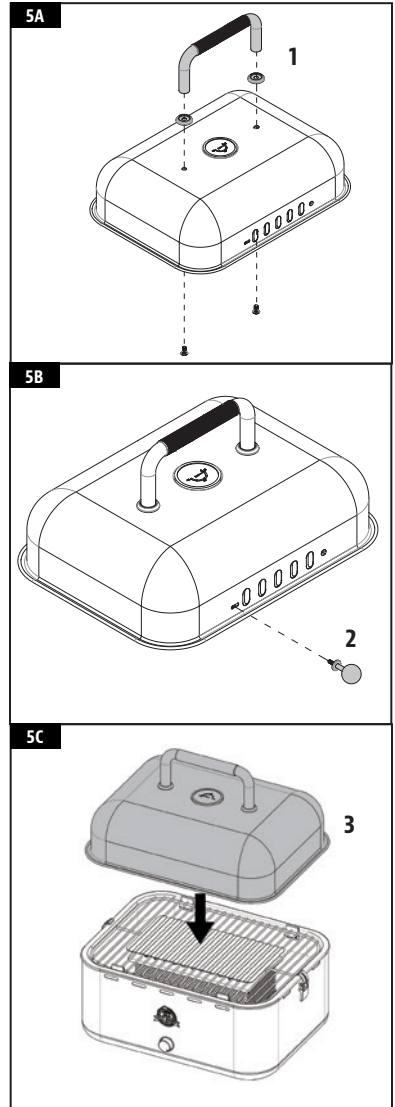
5. SECURING THE GRILL LID

Parts Required:

- 1 x Lid Handle (#1)
- 1 x Vent Handle (#2)
- 1 x Grill Lid (#3)

Installation:

- Remove the 2pcs screws that were pre-installed on the bottom of the lid handle, and then pass the screws through the mounting hole on the top of the lid to fix the lid handle and lid handle bezel on the top of the lid. Note 5A.
- Pass vent handle through bar-shaped hole on the back of the lid and lock vent handle on the vent piece, and cut off the cable tie on the vent piece, so that vent handle can slide toward left and right to drive the vent to close. Note 5B.
- Place the grill lid over the cooking grid. Secure the two safety latches from each side of the grill body to the grill lid. Note 5C.
- The unit is now assembled.



OPERATING INSTRUCTIONS

Charcoal barbecues are extremely versatile. High temperatures are ideal for quickly cooking burgers and sausages, try adding some wood chips to the charcoal, or try combining different flavor wood chips to make your meats even more flavorful.

FIRST USE – GRILL BURN-OFF

Before using your smoker for the first time with food, it is important to complete a burn-off. Starting the smoker and operating at 177°C / 350°F with the grill lid on for 30 to 40 minutes will burn-off the unit and rid it of any foreign matter.

PREHEATING

It is important to allow your grill to preheat before adding food to the unit. This allows the grill and cooking grids to heat up quicker, kill off bacteria and other pathogens leftover from past cooking sessions, and the grill is then able to maintain its temperature once your food is placed.

Preheat with the grill lid on.

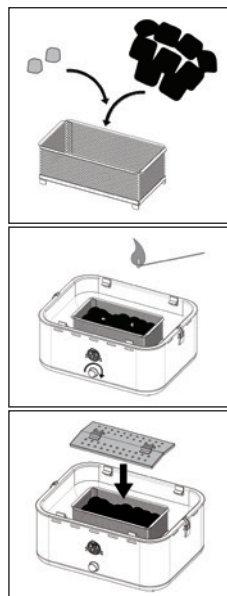
IMPORTANT: The outside ambient temperature, weather conditions, and quality of charcoal briquettes will all affect your cooking temperature. Observe the time it takes to reach your desired temperature, and adjust your cooking time as needed.

START-UP PROCEDURE

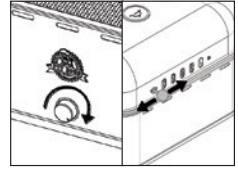
1. Ensure the **Fan Control Knob** is turned off.
2. Remove the grill lid, cooking grid, and charcoal box lid.
3. Place charcoal briquettes into the charcoal box, on top of the airflow plate. This creates space between the fan and the fuel for airflow. Add some lighter cubes, or solid firelighters, to assist with lighting the charcoal briquettes.
4. Light the lighter cubes using a long-nosed lighter or safety matches. Once it has caught, leave the charcoal box lid off for about 10 minutes to allow all charcoal briquettes to light. Turn the **Fan Control Knob** on to maximum.

NOTE: It is recommended that you do not stoke or turn the charcoal once they are alight. This allows the charcoals to burn more uniformly and efficiently.

5. After 10 minutes, replace the charcoal box lid on the charcoal box, then replace the cooking grid, and finally the grill lid. Monitor the temperature on the grill lid and allow the unit to preheat for approximately 15 to 20 minutes. Check the **Ventilation Knob** on the back of the grill lid, and leave the airflow vents fully open.



- After preheating is complete, you are ready to enjoy your grill at your desired temperature! Adjust the **Fan Control Knob** and **Ventilation Knob** to promote more or less airflow through the grill chamber.



REFUELING THE GRILL

If you require a longer cooking time (e.g. when roasting a whole cut or slow-smoking), it may be necessary to add more charcoal.

- Open the lid carefully when cooking to avoid burns from the hot air and steam trapped inside. Using heat-resistant gloves or cooking mitts, remove the grill lid, the cooking grid and charcoal box lid.

IMPORTANT: The grill will become very hot, and serious injury may occur. Do not touch hot surfaces. Use heat-resistant gloves, long-handled tongs, or cooking mitts at all times.

- Carefully, using long-handled tongs, add new charcoal briquettes to the charcoal box. Adjust the **Fan Control Knob to maximum to promote more airflow through the grill chamber to light the new charcoal briquettes.**
- Once new charcoal briquettes have lit, replace charcoal box lid, cooking grid, and continue use.

SHUTTING OFF YOUR GRILL

- Turn the **Fan Control Knob** all the way off.
- Stop adding fuel. Adjust the **Ventilation Knob** on the back of the grill lid to close airflow vents and allow the fire to die naturally.

IMPORTANT: Do not use water to extinguish the charcoal as this could damage the charcoal grill.

CARE AND MAINTENANCE

Any Pit Boss unit will give you many years of flavorful service with minimum cleaning. An important step is allowing the grill and cooking grids to self-clean by running the grill at a high temperature for 5 to 10 minutes after each use. Follow these cleaning and maintenance tips to service your grill:

1. CHARCOAL BOX

- Clean out the charcoal box when a build-up of ash is found, to ensure that there are no signs of blockage of the holes on the charcoal box airflow plate. Check your charcoal box often, and clean out as necessary.
- Check and wipe the charcoal box lid on a consistent basis, to ensure that the holes are not blocked. Obstruction to the charcoal box lid holes may result in failure to reach desired temperature.

2. INSIDE SURFACES

- Using a grill cleaning brush, remove any food or build-up from the cooking grids. Best practice is to do this while they are still warm from a previous cook. Grease fires are caused by too much fallen debris on the cooking components of the grill. Clean the inside of your grill on a consistent basis. In the event you experience a grease fire, keep the grill lid closed to choke out the fire. If the fire does not go out quickly, carefully remove the food, turn the Fan Control Knob off, and close the Ventilation Knob until the fire is completely out. Lightly sprinkle baking soda, if available.

3. OUTSIDE SURFACES

- Wipe your grill down after each use. Use warm soapy water to cut the grease. Do not use oven cleaner, abrasive cleansers or abrasive cleaning pads on the outside cabinet surfaces. **All painted surfaces are not covered under warranty**, but rather are part of general maintenance and upkeep. For paint scratches, wearing, or flaking of the finish, all painted surfaces can be touched up using high heat BBQ paint.
- Use a grill cover to protect your grill for complete protection! A cover is your best protection against weather and outside pollutants. When not in use or for long-term storage, keep the unit under a cover in a garage or shed.

CLEANING TIME TABLE (NORMAL USE)

ITEM	CLEANING FREQUENCY	CLEANING METHOD
Cooking Grid	After Each Use	Burn Off Excess, Grill Brush
Inner Shell	Every 2-3 Grill Sessions	Scrub Pad & Soapy Water
Charcoal Box	Every 4-5 Grill Sessions	Empty Ash

TIPS & TECHNIQUES

Follow these helpful tips and techniques, passed on from Pit Boss owners, our staff, and customers just like you, to become more familiar with your grill:

1. *FOOD SAFETY*

- Use different platters and utensils for the cooked meat than the ones you used to prepare or transport the raw meat out to the grill. This will prevent cross contamination of bacteria. Each marinade or sauce should have its own utensil.
- Keep hot foods hot (above 60°C / 140°F), and keep cold foods cold (below 3°C / 37°F). Cooked foods should not be left out in the heat for more than an hour. Do not leave hot foods out of refrigeration for more than two hours.
- A marinade should never be saved to use at a later time. If you are going to use it to serve with your meat, be sure to bring it to a boil before serving.
- Defrost and marinate meats by refrigeration. Do not thaw meat at room temperature or on a counter top. Bacteria can grow and multiply rapidly in warm, moist foods. Wash hands thoroughly with hot, soapy water before starting any meal preparation and after handling fresh meat, fish and poultry.

2. *COOKING PREPARATION*

- Be prepared, or ***Mise en Place***. This refers to preparing the cooking recipe, fuel, accessories, utensils, and all ingredients you require at grill side before you start cooking. Also, read the entire recipe, start to finish, before lighting the grill.
- A BBQ floor mat is very useful. Due to food handling accidents and cooking spatter, a BBQ floor mat would protect a deck, patio, or stone platform from the possibility of grease stains or accidental spills.

3. *GRILLING TIPS AND TECHNIQUES*

- Always use a meat thermometer to determine the internal temperature of the foods you are cooking. It's a good idea to put cooked food onto a heated platter, keeping the food warm. Red meats, such as steak and roasts, benefit from resting for several minutes before serving. It allows the juices that were driven to the surface by heat to ease back to the center of the meat, adding more flavor.
- Sugar-based sauces are best applied near the end of cooking to prevent burning and flare-ups.
- Use a set of long-handled tongs for turning meats, and a spatula for turning burgers and fish. Using a piercing utensil, such as a fork, will prick the meat and allow the juices to escape.

TROUBLESHOOTING

Proper cleaning, maintenance and the use of quality fuel will prevent common operational problems. When your Pit Boss grill is operating poorly, or on a less frequent basis, the following troubleshooting tips may be helpful.

For FAQ, please visit www.pitboss-grills.com or contact Customer Service for assistance.

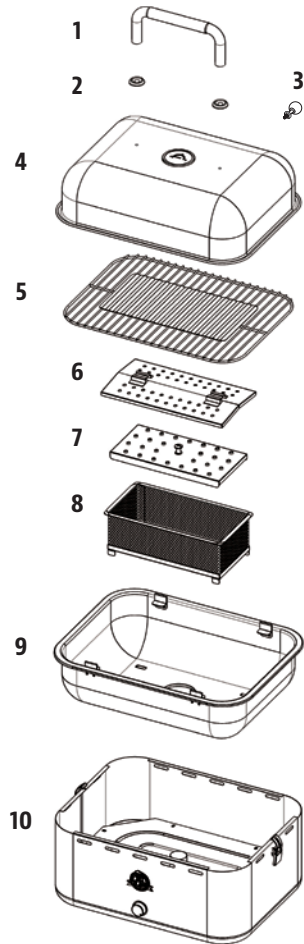
WARNING: Ensure the grill is completely cooled prior to any inspection, cleaning, maintenance or service work to avoid injury.

PROBLEM	CAUSE	SOLUTION
Charcoal Will Not Light	Insufficient Air Flow Through Charcoal Box	Check charcoal box lid or airflow plate for ash build-up or obstructions. Follow Care and Maintenance instructions for ash build-up. Check fan. Ensure it is working properly and air intake is not blocked.
	Lack of Fuel In Charcoal Box	Check charcoal box to verify that fuel level is sufficient, and replenish if low. The recommended use of charcoal briquettes is a maximum of 0.45 kg / 1 lb per burn.
	Fan Failure	Check fan to ensure it is working properly. Replace batteries if needed. If fan needs to be replaced, contact Customer Service for a replacement part.
Thermometer won't read	Broken Part	Thermometer needs to be replaced. Contact Customer Service for a replacement part.
Grill Too Hot	Too Much Airflow	Turn the Fan Control Knob to off and the Ventilation Knob fully closed to allow the fuel to smother with lack of oxygen. For low temperature cooking, use less fuel.
Grill Not Hot Enough	Insufficient Air Flow	Turn the Fan Control Knob to maximum and the Ventilation Knob fully opened to allow the grill to increase oxygen airflow, burning charcoal more quickly and increasing the temperature.

REPLACEMENT PARTS

Part#	Description
1-A	Lid Handle
2-A	Lid Handle Bezel (x2)
3-A	Vent Handle
4-A	Grill Lid
5-A	Cooking Grid
6-A	Charcoal Box Lid
7-A	Charcoal Box Airflow Plate
8-A	Charcoal Box
9-A	Inner Shell
10-A	Grill Body

NOTE: Due to ongoing product development, parts are subject to change without notice.



WARRANTY

CONDITIONS OF WARRANTY

All charcoal grills by Pit Boss, manufactured by Dansons, carry a limited warranty from the date of sale by the original owner. The warranty coverage begins on the original date of purchase and proof of date of purchase, or copy of original bill of sale, is required to validate the warranty. Customers will be subject to parts, shipping, and handling fees if unable to provide proof of the purchase or after the warranty has expired.

Dansons carries a one (1) year warranty against defects and workmanship on all parts. Dansons warrants that all part(s) are free of defects in material and workmanship, for the length of use and ownership of the original purchaser. Warranty does not cover damage from wear and tear, such as scratches, dents, dings, chips or minor cosmetic cracks. These aesthetic changes of the grill do not affect its performance. Repair or replacement of any part does not extend past the limited warranty beyond the one (1) year from date of purchase.

During the term of the warranty, Dansons' obligation shall be limited to furnishing a replacement for defective and/or failed components. As long as it is within the warranty period, Dansons' will not charge for repair or replacement for parts returned, freight prepaid, if the part(s) are found by Dansons' to be defective upon examination. Dansons' shall not be liable for transportation charges, labor costs, or export duties. Except as provided in these conditions of warranty, repair or replacement of parts in the manner and for the period of time mentioned heretofore shall constitute the fulfillment of all direct and derivate liabilities and obligations from Dansons to you.

Dansons takes every precaution to utilize materials that resist rust. Even with these safeguards, the protective coatings can be compromised by various substances and conditions beyond Dansons' control. High temperatures, excessive humidity, chlorine, industrial fumes, fertilizers, lawn pesticides and salt are some of the substances that can affect metal coatings. For these reasons, the warranty does not cover rust or oxidization, unless there is loss of structural integrity on the grill component. Should any of the above occur, kindly refer to the care and maintenance section to maintain the finish of your grill and prolong its lifespan. Dansons recommends the use of a full length protective grill cover when the grill is not in use.

This warranty is based on normal domestic use and service of the grill and neither limited warranty coverage's apply for a grill which is used in commercial applications.

AUSTRALIA: Our goods come with guarantees that cannot be excluded under the Australian Consumer Law. You are entitled to a replacement or refund for a major failure and for compensation for any other reasonably foreseeable loss or damage. You are also entitled to have the goods repaired or replaced if the goods fail to be of acceptable quality and the failure does not amount to a major failure.

WARRANTY EXCEPTIONS

There is no written or implied performance warranty on Pit Boss grills, as the manufacturer has no control over the installation, operation, cleaning, maintenance or the type of fuel burned. This warranty will not apply nor will Dansons assume responsibility if your appliance has not been installed, operated, cleaned and maintained in strict accordance with this owner's manual. Any use of fuel not outlined in this manual may void the warranty. The warranty does not cover damage or breakage due to misuse, improper handling or modifications.

Neither Dansons, or authorized Pit Boss dealer, accepts responsibility, legal or otherwise, for the incidental or consequential damage to the property or persons resulting from the use of this product. Whether a claim is made against Dansons based on the breach of this warranty or any other type of warranty expressed or implied by law, the manufacturer shall in no event be liable for any special, indirect, consequential or other damages of any nature whatsoever in excess of the original purchase of this product. All warranties by manufacturer are set forth herein and no claim shall be made against manufacturer on any warranty or representation.

Some states do not allow the exclusion or limitation of incidental or consequential damages, or limitations of implied warranties, so the limitations or exclusions set forth in this limited warranty may not apply to you. This limited warranty gives you specific legal rights and you may have other rights, which vary from state to state.

ORDERING REPLACEMENT PARTS

To order replacement parts, please contact your local Pit Boss dealer or visit our online store at: www.pitboss-grills.com

CUSTOMER SERVICE

If you have any questions or problems, contact Customer Service, Monday through Sunday, 4am - 8pm PST (EN/FR/ES).

service@pitboss-grills.com

Toll-Free: 1-877-303-3134 | Toll-Free Fax: 1-877-303-3135

PROCEDURE FOR WARRANTY SERVICE

Dansons requires proof of purchase to establish a warranty claim; therefore, retain your original sales receipt or invoice for future reference. Record data in the space below as the safety rating label may become worn or illegible.

MODEL

SERIAL NUMBER

DATE OF PURCHASE

AUTHORIZED DEALER

ACCESSORIES SOLD SEPARATELY

Available for purchase separately. Accessories not available and supplied by all authorized Pit Boss dealers.

ITEM	DESCRIPTION
	<p>BARBECUE FLOOR MAT</p> <p>Easy clean, UV protected. Protection for your deck. <i>132cm x 86cm / 52" x 34"</i></p>
	<p>GRILLING APRON</p> <p>Adjustable apron with double front pockets for grilling tools. One size. Machine washable. Black.</p>
	<p>SIGNATURE SAUCES</p> <p>A series of gourmet sauces to prepare and enhance the natural flavors of your food. Use during cooking or as a dipping sauce. Fat free. Gluten free. No MSG.</p>
	<p>SIGNATURE SPICES</p> <p>A collection of gourmet seasonings. Versatile as a rub, in a marinade, or simply as seasoning. Gluten free. No MSG.</p>

INFORMATIONS DE SÉCURITÉ

LES CAUSES MAJEURES DES INCENDIES D'APPAREILS SONT LE RÉSULTAT D'UN MAUVAIS ENTRETIEN ET D'UN DÉFAUT DE MAINTIEN DES DISTANCES DE SÉCURITÉ REQUISES POUR LES MATÉRIAUX COMBUSTIBLES. IL EST D'UNE IMPORTANCE CRUCIALE QUE CE PRODUIT SOIT UTILISÉ SEULEMENT CONFORMÉMENT AUX INSTRUCTIONS SUIVANTES.

Veillez lire et comprendre ce manuel avant d'assembler, d'utiliser ou d'installer le produit. Cela vous assurera de profiter au mieux et sans soucis de votre nouveau barbecue à charbon portable. Nous vous conseillons également de conserver ce manuel pour référence ultérieure.

DANGERS ET AVERTISSEMENTS

1. Un dégagement minimum de 25,4 cm (10 pouces) des constructions combustibles sur les côtés du barbecue et 25,4 cm (10 pouces) de l'arrière du barbecue aux constructions combustibles doit être maintenu. Ne pas utiliser dans des locaux fermés! Ne pas utiliser dans un espace clos et non ventilé. Cet appareil ne doit pas être placé sous un plafond combustible, des auvents, des parasols, des belvédères ou un surplomb. Gardez votre barbecue dans une zone dégagée et exempte de matières combustibles, d'essence et d'autres vapeurs et liquides inflammables.

En cas d'incendie de graisse, laissez le couvercle fermé jusqu'à ce que le feu soit éteint. Ne pas jeter d'eau dessus. Ne pas essayer d'étouffer le feu. L'utilisation d'un extincteur approuvé toutes classes (classe ABC) est précieuse, à conserver sur place. Si un incendie non contrôlé se produit, appelez les pompiers

2. Ce barbecue pour l'extérieur n'est pas conçu pour une installation dans/sur des véhicules récréatifs ou des bateaux.

Ne jamais utiliser cet appareil dans un espace clos, comme une caravane-camping, une tente, une voiture, un bateau ou une maison. Cet appareil n'est pas conçu comme un appareil de chauffage ou four, il ne doit en aucun cas servir comme tel.

3. Cet appareil n'est pas conçu pour être utilisé par des enfants, des personnes à capacités physiques, sensorielles ou intellectuelles réduites ou sans expérience ni connaissances, à moins qu'elles soient surveillées directement par une personne responsable de leur sécurité.
4. N'obstruez pas le flux de l'air de combustion et de ventilation à l'appareil. Gardez

les hublots propres et exempts de tous débris. Nettoyer avant utilisation. Inspectez l'unité avant de l'utiliser afin de déceler la présence de dommages ou d'usure et remplacez-la le cas échéant. Une maintenance et un entretien réguliers sont requis pour prolonger la durée de vie de votre unité.

5. Avant de commencer la cuisson, attendre qu'une couche de cendres recouvre le combustible.
6. Certaines parties du barbecue peuvent être très chaudes et des blessures graves peuvent survenir. **ATTENTION !** Ne pas laisser le barbecue à la portée des enfants et des animaux domestiques. Ne pas toucher les surfaces chaudes. Veuillez utiliser des gants résistant à la chaleur, des pinces avec une longue poignée ou des gants de cuisine en tout temps, puisque le barbecue peut devenir très chaud. Ouvrez délicatement le couvercle lorsque vous cuisinez afin d'éviter les brûlures provoquées par l'air chaud et par la vapeur emprisonnés à l'intérieur. Lorsque vous ouvrez le couvercle à des températures élevées, il est avisé de toujours soulever légèrement le couvercle, ce qui permet à l'air d'entrer lentement et de façon sécuritaire, empêchant ainsi tout contre-tirage ou recrudescence (flambée) pouvant causer une blessure. L'appareil peut émettre des braises chaudes lorsqu'il est allumé.

ATTENTION ! Ne pas utiliser d'alcool, d'essence ou autre liquide analogue pour allumer ou réactiver le feu. Utiliser uniquement des allume-feu conformes à l'EN 1860-3 ! Conservez tous ces liquides et substances loin du barbecue lorsque celui-ci fonctionne.

7. Il est fortement recommandé d'utiliser des briquettes de charbon dans votre barbecue. Ne pas utiliser de houille avec ce produit. Charbon non inclus. Le non-respect de cet avertissement pourrait entraîner un risque d'incendie et des dommages corporels et annulera votre garantie.

LE MONOXYDE DE CARBONE (« LE TUEUR SILENCIEUX »)

Utilisez toujours un appareil à gaz à l'extérieur dans une aire ouverte qui dispose d'une ventilation adéquate afin de ne pas respirer les vapeurs toxiques provenant de la combustion ou des fuites de gaz. Le monoxyde de carbone est un gaz incolore, inodore et sans goût produit par la combustion des gaz, du bois, du propane, du charbon ou d'autres combustibles. Le monoxyde de carbone réduit la capacité du sang à transporter l'oxygène. Les faibles niveaux d'oxygène sanguin peuvent entraîner des maux de tête, des étourdissements, des faiblesses, des nausées, des vomissements, de la somnolence, de la confusion, de la perte de conscience ou la mort. Suivez les directives suivantes pour empêcher ce gaz incolore et inodore de vous empoisonner ainsi que votre famille et les autres :

- Consultez un médecin si vous ou les autres développez des symptômes similaires à un rhume ou la grippe quand vous cuisinez ou quand vous vous trouvez à proximité de l'appareil. L'empoisonnement au monoxyde de carbone, qui peut facilement être confondu avec le rhume ou la grippe, est souvent détecté trop tard.

- La consommation d'alcool et de drogues augment les effets de l'empoisonnement au monoxyde de carbone.

Le monoxyde de carbone est particulièrement toxique pour la mère et l'enfant pendant la grossesse, pour les nourrissons, les personnes âgées, les fumeurs et les personnes souffrant de problèmes de circulation sanguine ou du système circulatoire, tels que l'anémie ou les maladies cardiaques.

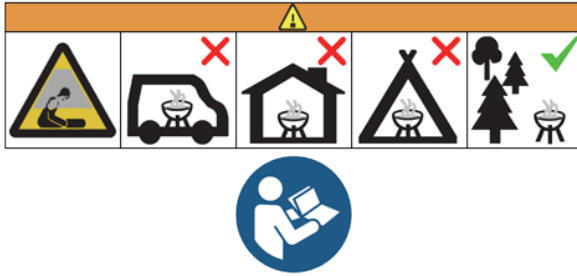


TABLE DES MATIÈRES

Informations de sécurité.....	18	Entretien et maintenance	29
Pièces et spécifications	22	Conseils et techniques	30
Préparation de l'assemblage.....	23	Dépannage	31
Instructions d'assemblage		Pièces de rechange	32
Installation des piles du ventilateur	23	Garantie	
Insérer la coque interne	23	Conditions	33
Assemblage du foyer pour charbon	24	Exceptions	34
Placement de la grille de cuisson.....	25	Commande de pièces de remplacement ..	34
Fixer le couvercle du barbecue	25	Appelez le service à la clientèle.....	34
		Service de garantie	34
Mode d'emploi		Accessoires vendus séparément.....	35
Première utilisation – Surchauffe			
du barbecue.....	26		
Préchauffage	26		
Procédure de mise en marche.....	27		
Ravitaillement du barbecue.....	28		
Éteindre votre barbecue	28		



AVIS SUR LES DROITS D'AUTEUR

Droit d'auteur 2021. Tous droits réservés. Nulle partie de ce manuel ne peut être reproduite, transmises, transcrite ou stockée dans un système de recherche de quelque façon que ce soit sans l'autorisation préalable écrite de,

Dansons

3411 North 5th Avenue, Suite 500, Phoenix, AZ, USA 85013
sales@pitboss-grills.com | service@pitboss-grills.com

www.pitboss-grills.com

Service à la clientèle

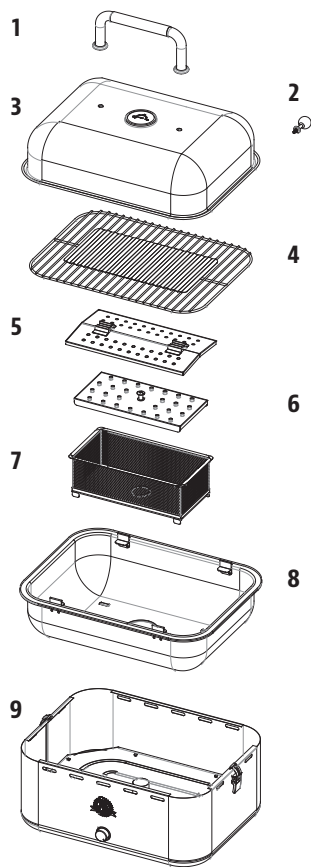
Du lundi au samedi, de 4 h à 20 h HP (ANG/FR/ES)

Línea sin costo: 1-877-303-3134 | Fax sin costo: 1-877-303-3135

PIÈCES ET SPÉCIFICATIONS

Part#	Description des pièces
1	Poignée pour couvercle
2	Vanne de ventilation
3	Couvercle du barbecue
4	Grille de cuisson
5	Couvercle du foyer pour charbon
6	Plaque d'écoulement d'air du foyer pour charbon
7	Foyer pour charbon
8	Coque interne
9	Boîtier du barbecue

REMARQUE : En raison du développement continu du produit, les pièces peuvent être modifiées sans préavis. Contactez le service clientèle si des pièces manquent lors de l'assemblage de l'appareil.



MODÈLE		UNITÉ ASSEMBLÉE (WxHxD)
PB	PBCSL200	43,9 cm x 35,6 cm x 38,1 cm / 17,2 po x 14,0 po x 15,0 po
POIDS DE L'UNITÉ	SURFACE DE CUISSON	SOURCE DE CARBURANT
6,26 kg / 13,8 lb	TOTAL - 1 096 cm ² / 170 po ²	Briquettes de charbon

PRÉPARATION DE L'ASSEMBLAGE

Les pièces sont situées dans tout le carton d'expédition, y compris sous le barbecue. Inspectez la grille, les pièces et l'emballage de matériel après avoir retiré de l'emballage de protection en carton. Avant l'assemblage du produit, examinez toutes les pièces et référez-vous à la liste des pièces. En cas de pièce manquante ou endommagée, ne tentez pas d'assembler. Les dommages lors de l'expédition ne sont pas couverts par la garantie. Contactez votre revendeur ou le service à la clientèle de Pit Boss pour les pièces : Du lundi au samedi, de 4 h à 20 h HP (ANG/FR/ES).

service@pitboss-grills.com

Ligne sans frais : 1-877-303-3134 | Télécopieur sans frais : 1-877-303-3135

Outils nécessaires pour l'assemblage : aucune

INSTRUCTIONS D'ASSEMBLAGE

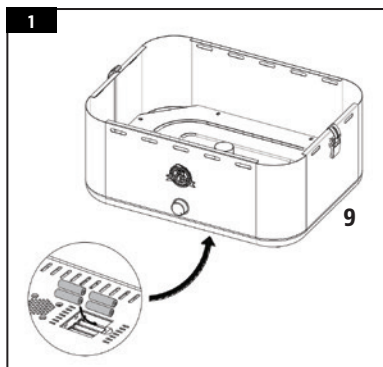
1. INSTALLATION DES PILES DU VENTILATEUR

Pièces nécessaires :

- 1 x Boîtier du barbecue (#9)
- 4 x Piles AA (non incluses)

Installation :

- Placez le boîtier du barbecue sur une surface propre et à niveau. Inclinez l'appareil vers l'arrière (ou bien retournez-le) et enlevez le couvercle du compartiment à piles. Installez les quatre piles et remplacez le couvercle.



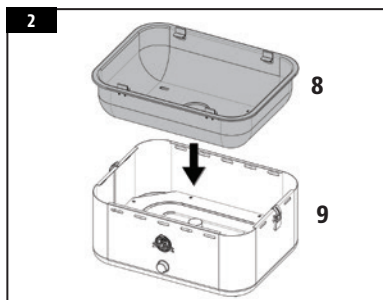
2. INSÉRER LA COQUE INTERNE

Pièces nécessaires :

- 1 x Coque interne (#8)

Installation :

- Insérez la coque interne dans le boîtier du barbecue. Le rebord de la coque interne reposera sur les bords du boîtier du barbecue.



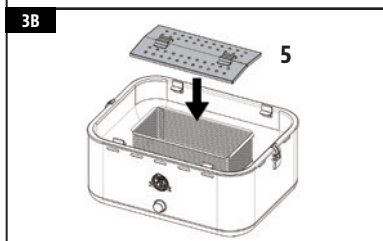
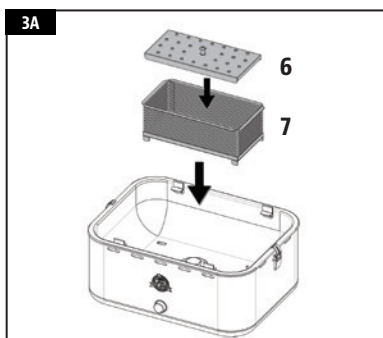
3. ASSEMBLAGE DU FOYER POUR CHARBON

Pièces nécessaires :

- 1 x Foyer pour charbon (#7)
- 1 x Plaque d'écoulement d'air du foyer pour charbon (#6)
- 1 x Couvercle du foyer pour charbon (#5)

Installation :

- Insérez le foyer pour charbon dans la coque interne du boîtier du barbecue. Les pieds du foyer pour charbon se placeront correctement dans les rainures au fond.
- Ensuite, placez la plaque d'écoulement d'air du foyer pour charbon dans la base du foyer pour charbon. Ceci crée un espace entre le ventilateur et le combustible afin de permettre un écoulement d'air. Voir 3A.
- Finalement, placez le couvercle du foyer pour charbon par dessus celui-ci. Voir 3B.



4. PLACEMENT DE LA GRILLE DE CUISSON

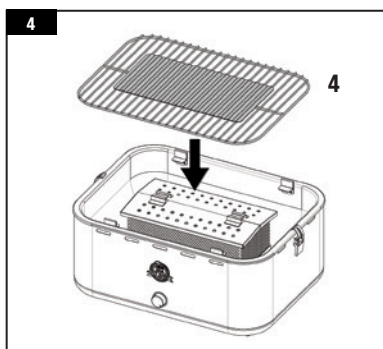
Pièces nécessaires :

- 1 x Grille de cuisson (#4)

Installation :

- Placez la grille de cuisson sur le barbecue, en plaçant les bords sur les rebords internes de la coque interne.

IMPORTANT : La plaque (grille) au centre de la grille de cuisson devrait être vers le haut.



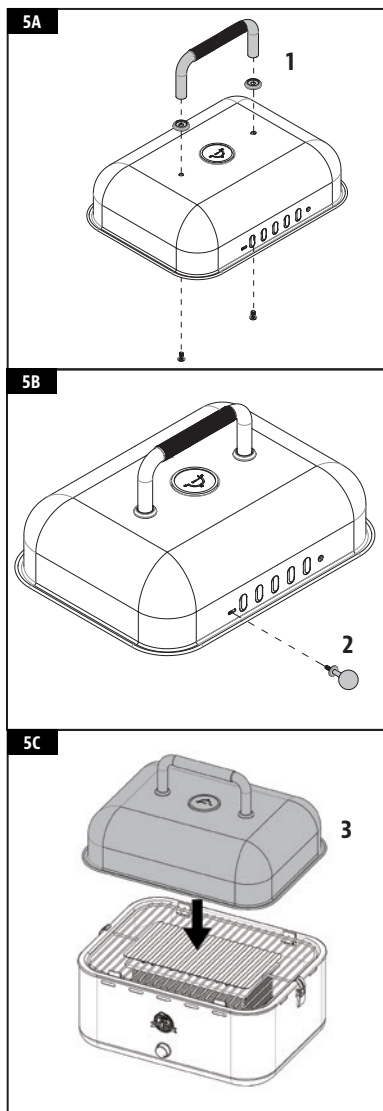
5. **FIXER LE COUVERCLE DU BARBECUE**

Pièces nécessaires :

- 1 x Poignée pour couvercle (#1)
- 1 x Vanne de ventilation (#2)
- 1 x Couvercle du barbecue (#3)

Installation :

- Retirez les 2 vis préinstallées en dessous de la poignée du couvercle, et insérez-les dans le trou de montage situé au-dessus du couvercle pour fixer la poignée et la bague de la poignée à cet endroit. Voir 5A.
- Insérez la vanne de ventilation dans la fente au dos du couvercle puis verrouillez-la sur la pièce de ventilation. Coupez le collier de serrage de la pièce de ventilation de sorte que la vanne d'aération puisse tourner vers la gauche ou la droite pour couvrir l'arrivée d'air. Voir 5B.
- Placez le couvercle du barbecue par-dessus la grille de cuisson. Fixez les deux loquets (verrous) de sécurité de chaque côté du boîtier du barbecue au couvercle du barbecue. Voir 5C
- L'unité est maintenant assemblée.



MODE D'EMPLOI

Les barbecues à charbon sont extrêmement polyvalents. Les températures élevées sont idéales pour la cuisson rapide des hamburgers et des saucisses, essayez d'ajouter des copeaux de bois au charbon ou bien essayez différentes saveurs de copeaux pour rehausser le goût de vos viandes.

PREMIÈRE UTILISATION – SURCHAUFFE DU BARBECUE

Avant d'utiliser votre barbecue pour la première fois avec de la nourriture, il est important d'effectuer une surchauffe. Démarrez le barbecue et réglez-le à 177 °C/350 °F avec le couvercle du barbecue fermé pendant 30 à 40 minutes pour surchauffer l'appareil et le débarrasser de toute matière étrangère.

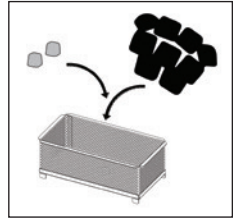
PRÉCHAUFFAGE

Il est extrêmement important de laisser votre barbecue préchauffer avant d'y ajouter de la nourriture. Cela permet au barbecue et aux grilles de cuisson de chauffer plus rapidement, de tuer les bactéries et d'autres agents pathogènes restants des dernières séances de cuisson, et le barbecue sera alors en mesure de maintenir sa température de cuisson une fois vos aliments placés. **Préchauffer avec le couvercle du barbecue fermé.**

IMPORTANT : La température ambiante extérieure, les conditions météorologiques et la qualité des briquettes de charbon affecteront votre température de cuisson. Observez le temps nécessaire pour atteindre la température désirée et ajustez votre temps de cuisson au besoin.

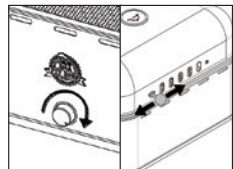
PROCÉDURE DE MISE EN MARCHÉ

1. Veillez à ce que le bouton de commande du ventilateur soit éteint
2. Enlevez le couvercle du barbecue, la grille de cuisson et le couvercle du foyer pour charbon
3. Placez les briquettes de charbon dans le foyer pour charbon au-dessus de la plaque d'écoulement d'air. Ceci crée un espace entre le ventilateur et le combustible afin de permettre un écoulement d'air. Ajoutez des cubes d'allumage ou des allume-feu solides pour vous aider à allumer les briquettes de charbon.
4. Allumez les cubes d'allumage en utilisant un briquet à longue portée ou des allumettes de sécurité. Une fois le feu allumé, laissez le couvercle du foyer pour charbon fermé pendant environ 10 minutes afin que les briquettes de charbon puissent prendre feu. Tournez le **bouton de commande du ventilateur** au réglage maximal.



REMARQUE : Il est fortement recommandé de ne pas attiser ou de retourner les briquettes de charbon une fois qu'elles sont allumées. Ceci garantit une combustion plus uniforme et efficace des charbons.

5. Après 10 minutes, remplacez le couvercle du foyer pour charbon sur le foyer pour charbon, puis replacer la grille de cuisson et ensuite le couvercle du barbecue. Surveillez la température sur le couvercle du barbecue et laissez l'unité se préchauffer pendant environ 15 à 20 minutes. Vérifiez le bouton de ventilation à l'arrière du couvercle du barbecue et laissez les événements d'air entièrement ouverts.
6. Une fois le préchauffage terminé, vous êtes prêt à profiter de votre barbecue à la température souhaitée! Ajustez le **bouton de commande du ventilateur** et le **bouton de ventilation** afin d'ajuster l'entrée d'air dans la chambre du barbecue.



RAVITAILLEMENT DU BARBECUE

Si vous avez besoin d'un temps de cuisson plus long (p.ex. : lorsque vous faites griller une coupe entière ou bien lorsque vous faites fumer lentement), vous pourriez alors avoir besoin d'une quantité supplémentaire de charbon.

1. Ouvrez délicatement le couvercle lorsque vous cuisinez afin d'éviter les brûlures provoquées par l'air chaud et par la vapeur emprisonnés à l'intérieur. À l'aide de gants résistants à la chaleur ou de gants de cuisine, enlevez le couvercle du barbecue, la grille de cuisson et le couvercle du foyer pour charbon.

ATTENTION ! Ce barbecue va devenir très chaud. Ne pas le déplacer pendant son utilisation. Des blessures graves peuvent survenir. Ne pas toucher les surfaces chaudes. Veuillez utiliser des gants résistant à la chaleur, des pinces avec une longue poignée ou des gants de cuisine en tout temps.

2. Ajoutez de nouvelles briquettes de charbon au foyer pour charbon très délicatement à l'aide des pinces avec une longue poignée. Ajustez le **bouton de commande du ventilateur au maximum afin de permettre un plus grand débit d'air dans la chambre du barbecue pour faire allumer les briquettes de charbon plus rapidement.**
3. Une fois que les nouvelles briquettes de charbon ont pris feu, remplacez le couvercle du foyer pour charbon, la grille de cuisson et poursuivez l'utilisation.

ÉTEINDRE VOTRE BARBECUE

1. Fermez complètement le **bouton de commande du ventilateur**.
2. N'ajoutez plus de combustible. Ajustez le **bouton de ventilation** à l'arrière du couvercle du barbecue pour fermer les événements d'air et permettre au feu de mourir naturellement.

IMPORTANT : Ne pas utiliser d'eau pour éteindre le charbon car ceci pourrait endommager le barbecue à charbon.

ENTRETIEN ET MAINTENANCE

Votre unité Pit Boss vous servira fidèlement pendant de longues années tout en minimisant les efforts de nettoyage. Une étape importante est de laisser le barbecue et les grilles de cuisson s'auto-nettoyer en allumant le barbecue à une température élevée opérant 5 à 10 minutes après chaque utilisation. Suivez ces conseils de nettoyage et d'entretien pour réviser votre barbecue :

1. FOYER POUR CHARBON

- Nettoyez le foyer pour charbon lorsque vous apercevez une accumulation de cendres afin de veiller à ce qu'il n'y ait aucune obstruction des trous sur la plaque d'écoulement d'air du foyer pour charbon. Vérifiez souvent votre foyer pour charbon et nettoyez-le si nécessaire.
- Vérifiez et nettoyez régulièrement le couvercle du foyer pour charbon afin de veiller à ce que les trous ne soient pas bloqués. L'obstruction des trous sur le couvercle du foyer pour charbon pourrait faire en sorte que la température souhaitée ne soit jamais atteinte.

2. SURFACE INTERNES

- À l'aide d'une brosse de nettoyage à barbecue, retirez tout aliment ou accumulation des grilles de cuisson. La meilleure pratique à suivre est d'effectuer cette opération quand les grilles sont encore un peu chaudes d'une séance de cuisson qui vient de se terminer. Les feux de graisse sont causés par trop de débris tombés sur les composants de cuisson du barbecue. Nettoyez l'intérieur de votre barbecue de façon régulière. Dans le cas où vous êtes confronté à un feu de graisse, gardez le couvercle du barbecue fermé pour étouffer l'incendie. Si l'incendie ne s'éteint pas rapidement, retirez soigneusement les aliments, fermez le bouton de commande du ventilateur et éteignez le bouton de ventilation jusqu'à ce que le feu soit complètement éteint. Saupoudrez légèrement de bicarbonate de soude, si disponible.

3. LES SURFACES EXTERNES

- Essuyez votre barbecue après chaque utilisation. Utilisez de l'eau chaude savonneuse pour enlever la graisse. Ne pas utiliser de nettoyant à four, nettoyant abrasif ou lingettes nettoyantes sur les surfaces externes de l'armoire. **Toutes les surfaces peintes ne sont pas couvertes par la garantie**, mais font partie de la maintenance générale et de l'entretien. Pour les rayures de peinture, l'usure ou l'écaillage de la finition, toutes les surfaces peintes peuvent être retouchées à l'aide d'une peinture à barbecue à haute chaleur.
- Utilisez une couverture pour barbecue afin de protéger votre barbecue pour une protection complète! Une couverture est votre meilleure protection contre les intempéries et les polluants extérieurs. Lorsqu'il n'est pas utilisé ou pour un stockage à long terme, conservez l'unité sous une housse dans un garage ou un hangar.

TABLEAU DE FRÉQUENCE DE NETTOYAGE (UTILISATION NORMALE)

ARTICLE	FRÉQUENCE DE NETTOYAGE	MÉTHODE DE NETTOYAGE
Grille de cuisson	Après chaque utilisation	Brûler les graisses en trop, utiliser une brosse de nettoyage pour barbecue
Coque interne	Toutes les 2-3 sessions de cuisson	Éponge à gratter et eau savonneuse
Foyer pour charbon	Toutes les 4-5 sessions de cuisson	Vider le cendrier

CONSEILS ET TECHNIQUES

Suivez ces conseils et techniques utiles, transmis par des propriétaires de Pit Boss, notre personnel et clients comme vous, afin de vous familiariser avec votre barbecue:

1. SÉCURITÉ ALIMENTAIRE

- Utilisez un plat et des ustensiles différents pour la viande cuite et pour préparer ou transporter la viande crue sur le barbecue. Ceci permettra d'éviter toute contamination croisée des bactéries. Chaque marinade ou sauce devrait avoir son propre ustensile.
- Gardez les aliments chauds au chaud (au-dessus de 60 °C / 140 °F) et gardez les aliments froids au froids (moins de 3 °C / 37 °F). Les aliments cuits et les salades ne devraient pas être laissés dehors dans la chaleur pendant plus d'une heure. Ne laissez pas les aliments chauds à l'extérieur du réfrigérateur pendant plus de deux heures.
- Une marinade ne devrait jamais être conservée pour une utilisation ultérieure. Si vous comptez l'utiliser pour la servir avec votre viande, assurez-vous de la faire bouillir avant de servir.
- Décongeler et mariner les viandes par réfrigération. Ne décongelez pas la viande à température ambiante ou sur le comptoir. Les bactéries peuvent grandir et se multiplient rapidement dans les aliments chauds et humides. Lavez-vous bien les mains avec de l'eau tiède savonneuse avant de commencer à préparer votre plat, et après avoir manipulé de la viande fraîche, du poisson et de la volaille.

2. PRÉPARATION DE CUISSON

- Soyez préparé ou **Mise en place**. Ceci fait référence à la préparation de la recette, le combustible, les accessoires, les ustensiles et tous les ingrédients dont vous aurez besoin à côté du barbecue avant de commencer la cuisson. Aussi, lisez la recette complète, du début à la fin, avant d'allumer le barbecue.
- Un tapis protecteur pour BBQ peut être très utile. En raison des accidents qui surviennent en raison de la manipulation des aliments et des différents styles de cuisson, ce tapis aidera à protéger les dalles de votre patio ou de votre terrasse contre tout risque de tache de graisse ou déversements accidentels.

DÉPANNAGE

Un bon nettoyage et un bon entretien, ainsi que le fait d'utiliser du combustible de qualité aidera à prévenir la plupart des problèmes de fonctionnement du barbecue. Toutefois, quand votre barbecue à granulés de bois Pit Boss ne fonctionne pas bien ou moins fréquemment, les conseils de dépannage suivants peuvent être utiles.

Pour les FAQ, rendez-vous sur www.pitboss-grills.com ou bien communiquez avec le Service à la clientèle pour obtenir de l'aide.

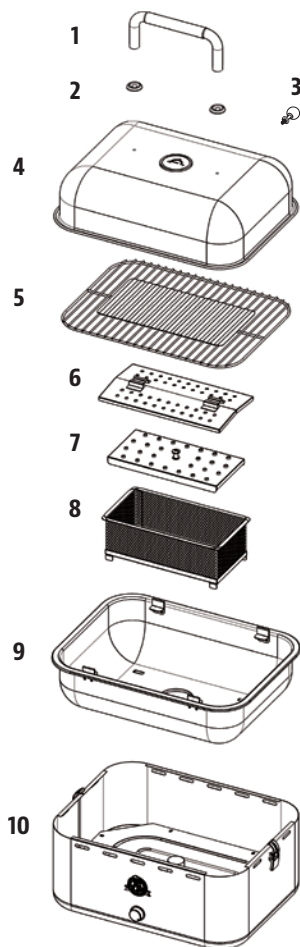
AVERTISSEMENT : Veillez à ce que le barbecue soit complètement froid avant d'effectuer une inspection, un nettoyage, un entretien ou tous travaux de service pour éviter le risque de blessures.

PROBLÈME	CAUSE	SOLUTION
Le charbon ne s'allume pas	Le flux d'air dans le foyer pour charbon est insuffisant	Vérifiez le couvercle du foyer pour charbon ou bien la plaque d'écoulement d'air pour déceler la présence de toute accumulation de cendres ou d'obstructions. Suivez les instructions d'entretien et de maintenance en cas d'accumulation de cendres. Contrôlez le ventilateur. Assurez-vous qu'il fonctionne correctement et que l'entrée d'air n'est pas bloquée.
	Une quantité de combustible insuffisante dans le foyer pour charbon	Vérifiez que le niveau de carburant du foyer pour charbon est suffisant et remplissez-le s'il est faible. La quantité recommandée de briquettes de charbon à utiliser est d'un maximum de 0,45 kg (1 lb) par brûlage
	Défaillance du ventilateur	Vérifiez le ventilateur afin de veiller à ce qu'il fonctionne correctement. Remplacez les piles au besoin. Si le ventilateur doit être remplacé, contactez le service à la clientèle pour obtenir une pièce de rechange.
Le thermomètre n'affiche pas la température	Pièce cassée	Le thermomètre doit être remplacé. Contactez le service à la clientèle pour obtenir des pièces de rechange.
Le barbecue devient trop chaud	Flux d'air trop important	Éteignez (« off ») le bouton de commande du ventilateur et fermez complètement le bouton de ventilation afin de permettre au carburant de mourir naturellement en raison du manque d'oxygène. Il est recommandé d'utiliser moins de combustible pour une séance de cuisson à basses températures
Le barbecue n'est pas assez chaud	Flux d'air insuffisant	Ouvrez entièrement le bouton de commande du ventilateur ainsi que le bouton de ventilation afin de permettre au barbecue d'augmenter son débit d'oxygène, lui permettant ainsi de brûler plus rapidement du charbon et de faire augmenter sa température.

PIÈCES DE RECHANGE

Part#	Description des pièces
1-A	Poignée du couvercle
2-A	Cadran de la poignée du couvercle (x2)
3-A	Vanne de ventilation
4-A	Couvercle du barbecue
5-A	Grille de cuisson
6-A	Couvercle du foyer pour charbon
7-A	Plaque d'écoulement d'air du foyer pour charbon
8-A	Foyer pour charbon
9-A	Coque interne
10-A	Boîtier du barbecue

REMARQUE : En raison du développement continu du produit, les pièces peuvent être modifiées sans préavis.



GARANTIE

CONDITIONS

Tous les barbecues à charbon de Pit Boss, fabriquées par Dansons, contiennent une garantie limitée à partir de la date de vente par le propriétaire initial. La garantie entre en vigueur à la date d'achat, et une preuve de la date d'achat ou copie de votre achat de vente original est requise pour valider la garantie. Si le client n'est pas en mesure de produire une preuve de l'achat ou si la date de couverture de la garantie est dépassée, il sera tenu de payer les pièces, l'expédition et la main-d'œuvre.

Dansons offre une garantie d'un an (1) contre les défauts et fabrication sur toutes les pièces. Dansons garantit que toute partie(s) sont exempte de défauts de matériel et de fabrication, pour la durée d'utilisation et de propriété de l'acheteur initial. La garantie ne couvre pas les dommages causés par l'usure, tels que les rayures, les bosses, les coups, les éclats ou les fissures cosmétiques mineures. Ces changements esthétiques du barbecue n'affectent pas sa performance. La réparation ou le remplacement d'une pièce ne prolonge pas la garantie limitée au-delà de l'année (1) prévue à partir de la date d'achat.

Pendant la période de la garantie limitée, l'obligation de Dansons se limitera à fournir le remplacement des composants couverts et/ou défectueux. Tant que cela se produit pendant la période de la garantie, Dansons ne vous facturera pas sur la réparation ou le remplacement des pièces retournées, le port-payé, si Dansons détermine que ces pièces se révèlent défectueuses après inspection. Dansons ne sera pas tenu responsable des frais de transport, du coût salarial ou des droits d'exportation. Sauf disposition contraire dans ces conditions de garantie, la réparation ou le remplacement des pièces de la façon et pour la durée fixée ci-dessous, remplira le devoir de toutes les responsabilités et obligations directes et dérivées de Dansons envers vous.

Dansons prend toutes les précautions pour utiliser les matériaux qui résistent à la formation de la rouille. Même avec ces garanties, le revêtement protecteur peut être compromis par diverses substances et conditions qui échappent au contrôle de Dansons. Les hautes températures, l'humidité excessive, le chlore, les gaz industriels, les engrais, les pesticides utilisés pour les pelouses et le sel sont quelques-unes des substances pouvant affecter les revêtements métalliques. C'est pour ces raisons que les garanties limitées ne couvrent pas la rouille ni l'oxydation, à moins que le composant du barbecue présente une perte d'intégrité structurelle. Si les scénarios décrits ci-dessus devaient se produire, veuillez vous référer à la section de soin et d'entretien pour maintenir le fini de votre barbecue et prolonger sa durée de vie. Dansons recommande l'utilisation d'une couverture de barbecue qui recouvre entièrement le barbecue lorsqu'il n'est pas utilisé.

Les garanties s'appliquent à un usage domestique et une utilisation normale du barbecue et aucune des garanties limitées ne s'applique à un barbecue utilisé pour des applications commerciales.

EXCEPTIONS

Il n'existe pas de garantie de performance écrite ou implicite sur les appareils « Pit Boss », car le fabricant ne contrôle pas l'installation, le fonctionnement, le nettoyage, l'entretien ou le type de combustible brûlé. La garantie limitée ne s'appliquera pas, et Dansons n'assumera aucune responsabilité, si votre appareil n'a pas été installé, opéré, nettoyé et entretenu conformément aux instructions du fabricant. Toute utilisation de gaz non précisée dans ce manuel peut annuler la garantie. La garantie ne couvre pas les dommages ou ruptures causées par une mauvaise utilisation, mauvaise manutention ou des modifications.

Dansons et les fournisseurs autorisés Pit Boss, déclinent toute responsabilité, légale ou autre, quant aux dommages accidentels ou consécutifs à la propriété ou aux personnes résultant de l'utilisation de ce produit. Si une réclamation est retournée contre Dansons basée sur la violation de cette garantie ou de tout autre type de garantie explicite ou implicite en droit, le fabricant ne sera en aucun cas tenu responsable des dommages-intérêts spéciaux, punitifs ou indirects de quelque nature que ce soit en surplus du prix d'achat original de ce produit. Toutes les garanties du fabricant sont énoncées ici et aucune réclamation ne sera effectuée contre le fabricant par le biais d'une garantie ou de représentation.

Certaines provinces n'autorisent pas l'exclusion ou la limitation des dommages accidentels ou consécutifs, ou les limitations des garanties implicites, de sorte qu'il est possible que les exclusions et limitations énoncées dans cette garantie limitée ne s'appliquent pas à vous. Cette garantie limitée vous donne des droits légaux spécifiques, et vous pourriez aussi avoir d'autres droits légaux qui pourront varier selon l'état ou la province.

COMMANDE DE PIÈCES DE REMPLACEMENT

Pour commander des pièces de rechange, contactez votre revendeur local Pit Boss ou visitez notre boutique en ligne à l'adresse suivantet: www.pitboss-grills.com

APPELEZ LE SERVICE À LA CLIENTÈLE

Si vous avez des questions ou des problèmes, contactez le service à la clientèle, du lundi au dimanche, de 4 h à 20 h HP (ANG/FR/ES) .

service@pitboss-grills.com

Ligne sans frais: 1-877-303-3134 | Fax sans frais : 1-877-303-3135

COMMENT OBTENIR LES SERVICES PRÉVUS PAR LA GARANTIE

Dansons exige une preuve d'achat pour établir une réclamation sous garantie; Conservez donc votre reçu ou facture originale pour référence future. Enregistrez les données dans l'espace ci-dessous, car l'étiquette de sécurité peut s'user ou devenir illisible.

MODÈLE

NUMÉRO DE SÉRIE

DATE D'ACHAT

CONCESSIONNAIRE AUTORISÉ

ACCESSOIRES VENDUS SÉPARÉMENT

Disponible à l'achat séparément. Accessoires non disponibles et fournis par tous les concessionnaires autorisés de Pit Boss.

ARTICLE	DESCRIPTION
	<p>TAPIS PROTECTEUR POUR BBQ</p> <p>Facile à nettoyer, protection contre les UV. Protection pour votre patio. 132cm x 86cm / 52" x 34"</p>
	<p>TABLIER</p> <p>Ce tablier ajustable a deux poches pratiques à l'avant qui permettront de tenir les outils du barbecue. Taille unique. Lavable à la machine.</p>
	<p>SAUCES SIGNATURE</p> <p>Une collection de sauces gastronomiques pour préparer et améliorer les saveurs naturelles de votre nourriture.</p>
	<p>ÉPICES SIGNATURE</p> <p>Une collection d'épices gastronomiques pour préparer et améliorer les saveurs naturelles de votre nourriture.</p>

INFORMACIÓN DE SEGURIDAD

LOS FALLOS DE MANTENIMIENTO Y EL INCUMPLIMIENTO DE LAS DISTANCIAS REQUERIDAS ENTRE EL APARATO Y LOS MATERIALES COMBUSTIBLES SON CAUSAS IMPORTANTES DE INCENDIOS. ES DE LA MAYOR IMPORTANCIA QUE ESTE PRODUCTO SOLAMENTE SE UTILICE DE ACUERDO CON ESTAS INSTRUCCIONES.

Por favor lea y comprenda este manual en su totalidad antes de intentar armar, utilizar o instalar el producto. Esto garantizará que pueda utilizar su nuevo asador de pellets de madera de la manera más agradable y sin problemas. También le recomendamos conservar este manual para referencia futura.

PELIGROS Y ADVERTENCIAS

1. Es necesario mantener un espacio libre mínimo de 254 mm (10 pulg.) entre materiales combustibles y los costados del asador, y de 254 mm (10 pulg.) desde la parte trasera del asador a materiales combustibles. No use este aparato en interiores, ni en un área cerrada y sin ventilación. Este aparato no debe colocarse bajo un techo, toldo, sombrilla, glorieta o saliente de material combustible. Mantenga su asador en un área despejada y libre de materiales combustibles, gasolina y otros vapores y líquidos inflamables.

En caso de un fuego debido a la grasa, debe dejar la tapa cerrada hasta que se apague el fuego. No arroje agua sobre el fuego. No trate de sofocar el fuego. Es muy recomendable mantener cerca un extintor de incendios aprobado para todo tipo de fuego (clase ABC). Si ocurre un incendio sin control, llame al Departamento de Bomberos.

2. Este asador para exteriores no está diseñado para instalarse en/sobre vehículos de recreación o botes.

Nunca utilice este aparato en un espacio cerrado, como una casa rodante, una tienda de campaña, un auto, un bote o una casa. Este aparato no está destinado para ser utilizado como radiador o caldera y nunca debe utilizarse como tal.

3. No se recomienda que este aparato sea utilizado por niños, personas con capacidades físicas, sensoriales o mentales reducidas, o que no tengan suficiente experiencia y conocimientos, a menos que sean supervisados o dirigidos por una persona responsable de su seguridad.

4. No obstruya el flujo de aire de combustión y de ventilación hacia este aparato. Mantenga los orificios de entrada limpios y libres de escombros. Limpie antes de usarla. Inspeccione la unidad antes de usarla para verificar daños y desgaste, y reemplácela cuando sea necesario. Es necesario darle cuidado y hacer mantenimiento regular a su unidad para prolongar su vida útil.
5. No cocine antes de que el combustible tenga una capa de ceniza.
6. Algunas partes de la parrilla podrían estar muy calientes y pueden causar lesiones graves. Mantenga alejados a los niños pequeños y las mascotas mientras la utiliza. No toque las superficies calientes. Use guantes resistentes al calor, pinzas de mango largo o guantes de cocina en todo momento, ya que el asador se calentará mucho. Abra la tapa con cuidado cuando cocine para evitar quemaduras debido al aire caliente y el vapor que están atrapados en el interior. Al abrir la tapa a altas temperaturas, es esencial levantar la tapa solo un poco, lo cual permite que el aire entre de manera lenta y segura y previene contraflujos o llamaradas que podrían causar heridas. Podría producir brasas calientes mientras se usa.

No use gasolina, aguarrás, líquido para encendedores, alcohol u otros productos químicos similares para encender o volver a encender la parrilla. Use solo encendedores que cumplan con el estándar EN1860-3. Mantenga estas sustancias y líquidos lejos del aparato mientras lo utiliza.

7. Es altamente recomendado que use briquetas de carbón vegetal en su asador. No use carbón regular para este producto. El carbón vegetal no está incluido. No cumplir con esta advertencia podría causar incendios y lesiones corporales, y anulará su garantía.

MONÓXIDO DE CARBONO (“EL ASESINO SILENCIOSO”)

Siempre use un aparato de gas al aire libre en un área abierta con buena ventilación, para evitar respirar los vapores gases tóxicos de la combustión o fugas del gas. El monóxido de carbono es un gas incoloro, inodoro e insípido que se produce al quemar gas, madera, propano, carbón y otros combustibles. El monóxido de carbono reduce la capacidad de la sangre para transportar oxígeno. Los niveles bajos de oxígeno en la sangre pueden causar dolor de cabeza, mareos, debilidad, náuseas, vómitos, somnolencia, confusión, pérdida de la conciencia y muerte. Siga estas instrucciones para evitar que este gas incoloro e inodoro lo intoxique a usted, a su familia o a otras personas:

- Consulte a un médico si usted u otras personas presentan síntomas de resfriado o gripe mientras cocinan o en los alrededores del aparato. La intoxicación por monóxido de carbono, que puede confundirse fácilmente con gripe o resfriado, con frecuencia se detecta demasiado tarde.
- El consumo de alcohol y drogas aumentan los efectos de la intoxicación por monóxido de carbono.

El monóxido de carbono es especialmente tóxico para madres e hijos durante el embarazo, así como para los bebés, los ancianos, los fumadores y las personas con problemas de la sangre y el sistema circulatorio, como anemia o enfermedades cardíacas.



ÍNDICE

Información de seguridad.....	36	Cuidado y mantenimiento	46
Partes y especificaciones	40	Consejos y técnicas.....	47
Preparación del ensamblaje	41	Solución de problemas	48
Instrucciones de ensamblaje		Piezas de repuesto.....	49
Instalación de las baterías del ventilador	41	Garantía	
Inserción de la carcasa interna	41	Condiciones.....	50
Montaje de la caja de carbón.....	42	Excepciones.....	51
Posicionamiento de la parrilla de cocción.....	42	¿Cómo pedir piezas de repuesto?	51
Fijación de la tapa del asador	43	Contacto con el Servicio al Cliente.....	51
Instrucciones de operación		Procedimiento	51
Primer uso - Quemado del asador.....	44	Accesorios vendidos por separado....	52
Precalentamiento	44		
Procedimiento de arranque.....	44		
Recarga de combustible del asador	45		
Apagado de su asador	45		



AVISO DE DERECHOS DE AUTOR

Copyright 2021 Todos los derechos reservados. Ninguna parte de este manual puede ser copiada, transmitida, transcrita o almacenada en un sistema de respaldo, en ninguna forma y por ningún medio, sin el permiso explícito por escrito de,

Dansons

3411 North 5th Avenue, Suite 500, Phoenix, AZ, USA 85013
sales@pitboss-grills.com | service@pitboss-grills.com

www.pitboss-grills.com

Servicio al cliente

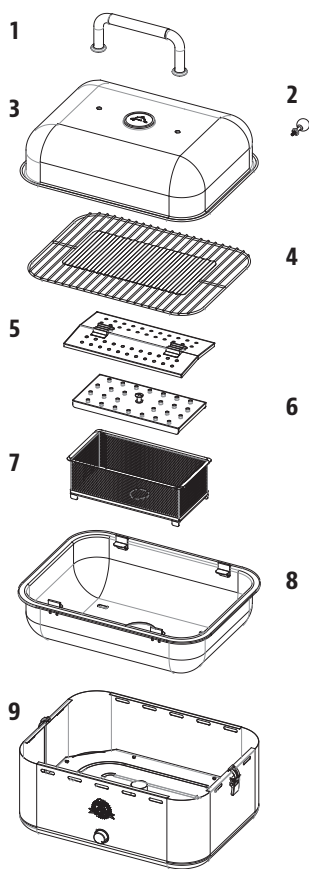
De lunes a domingo, de 4 a.m. a 8 p.m., hora del Pacífico (EN/FR/ES)

Línea sin costo: 1-877-303-3134, Fax: 1-877-303-3135

PARTES Y ESPECIFICACIONES

N°	Descripción
1	Asa de la tapa
2	Asa de ventilación
3	Tapa del asador
4	Parrilla de cocción
5	Tapa de la caja de carbón vegetal
6	Placa de flujo de aire de la caja de carbón vegetal
7	Caja de carbón vegetal
8	Carcasa interna
9	Cuerpo del asador

NOTA: Debido a que los productos están en desarrollo constante, las partes están sujetas a cambios sin previo aviso. Llame a Servicio al Cliente si le faltan partes al ensamblar la unidad.



MODELO	UNIDAD ENSAMBLADA (An. x Al. x Prof.)	
PB PBCSL200	43.9cm x 35.6cm x 38.1cm / 17.2 pu x 14.0 pu x 15.0 pu	
PESO DE LA UNIDAD	ÁREA DE COCCIÓN	FUENTE DE COMBUSTIBLE
6.26 kg / 13.8 lb	TOTAL - 1 096 cm² / 170 pu. cu.	Briquetas de carbón vegetal

PREPARACIÓN DEL ENSAMBLAJE

Hay partes ubicadas en toda la caja de embarque, incluso debajo del asador. Inspeccione el asador, las partes y el paquete de accesorios antes de sacarlos de la caja de embarque. Antes de ensamblar el producto, revise todas las partes y compárelas con la lista de referencia. Si hay partes faltantes o dañadas, no intente ensamblar el producto. Los daños por transporte no están cubiertos por la garantía. Comuníquese con su distribuidor o con Servicio al Cliente de Pit Boss para solicitar partes: De lunes a domingo, de 4 a.m. a 8 p.m., hora del Pacífico (EN/FR/ES).

service@pitboss-grills.com

Línea sin costo: 1-877-303-3134 | Fax sin costo: 1-877-303-3135

Herramientas requeridas para el ensamblaje: ninguno

INSTRUCCIONES DE ENSAMBLAJE

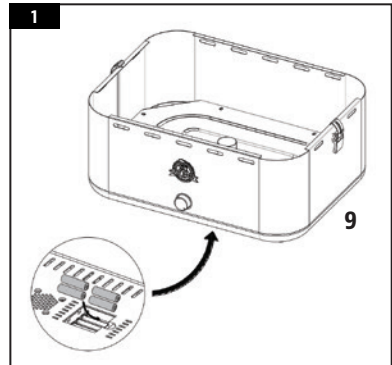
1. INSTALACIÓN DE LAS BATERÍAS DEL VENTILADOR

Partes requeridas:

- 1 x Cuerpo del asador (#9)
- 4 x Pilas AA (no están incluidas)

Instalación:

- Coloque el cuerpo del asador en una superficie limpia y nivelada. Incline la unidad hacia atrás (o voltéela) y retire la tapa del compartimento de las pilas. Instale las cuatro pilas y coloque la tapa de nuevo.



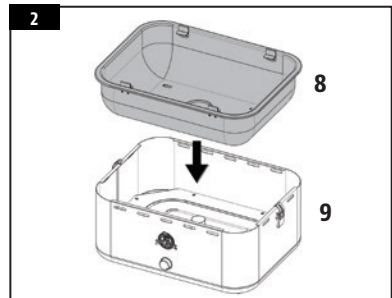
2. INSERCIÓN DE LA CARCASA INTERNA

Partes requeridas:

- 1 x Carcasa interna (#8)

Instalación:

- Inserte la carcasa interna en el cuerpo del asador. El borde sobresaliente de la carcasa interna se apoyará en los bordes del cuerpo del asador.



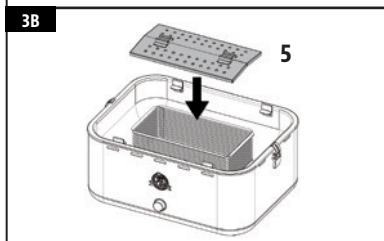
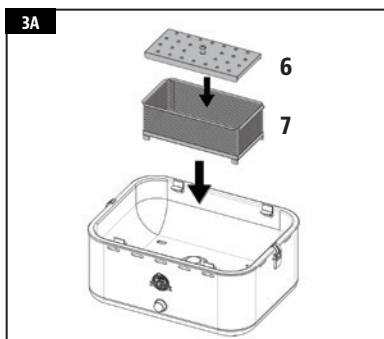
3. MONTAJE DE LA CAJA DE CARBÓN

Partes requeridas:

- 1 x Caja de carbón vegetal (#7)
- 1 x Placa de flujo de aire de la caja de carbón vegetal (#6)
- 1 x Tapa de la caja de carbón vegetal (#5)

Instalación:

- Coloque la caja de carbón vegetal en el interior del asador. Las patas de la caja de carbón se colocarán correctamente en las ranuras de la parte inferior.
- Luego, coloque la placa de flujo de aire de la caja de carbón vegetal en la base de la caja. Esto crea espacio entre el ventilador y el combustible para que fluya el aire. Consulte 3A.
- Por último, coloque la tapa de la caja de carbón vegetal en la parte superior de la misma. Consulte 3B.



4. POSICIONAMIENTO DE LA PARRILLA DE COCCIÓN

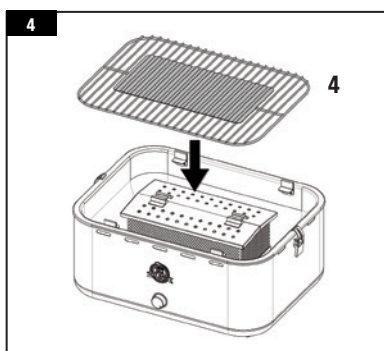
Partes requeridas:

- 1 x Parrilla de cocción (#4)

Instalación:

- Coloque la parrilla de cocción en el asador, apoyando los bordes en las repisas interiores de la carcasa interna.

IMPORTANTE: la plancha en el centro de la parrilla debe estar hacia arriba.



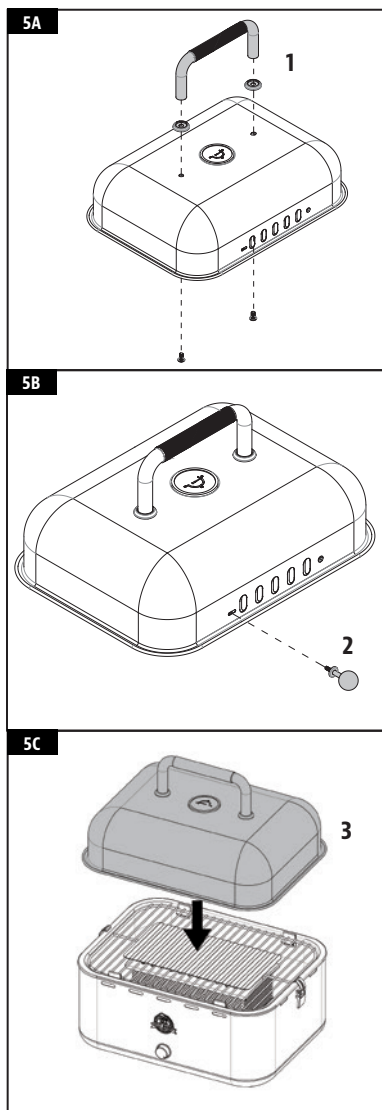
5. FIJACIÓN DE LA TAPA DEL ASADOR

Partes requeridas:

- 1 x Asa de la tapa (#1)
- 1 x Asa de ventilación (#2)
- 1 x Tapa del asador (#3)

Instalación:

- Retire los tornillos de dos piezas que estaban preinstalados en la parte inferior del asa de la tapa, y luego pase los tornillos a través del agujero de montaje en la parte superior de la tapa para fijar el asa de la tapa y el aro del asa de la tapa en la parte superior de la misma. Consulte 5A.
- Pase el asa de ventilación a través del agujero en forma de barra en la parte posterior de la tapa y bloquee el asa de ventilación en la pieza de ventilación, y corte el cable de esta, de modo que el asa de ventilación pueda deslizarse hacia la izquierda y la derecha para hacer que la ventilación se cierre. Consulte 5B.
- Coloque la tapa del asador sobre la parrilla de cocción. Fije los dos pestillos de seguridad de cada lado del cuerpo del asador a la tapa del asador. Consulte 5C.
- La unidad ya está ensamblada.



INSTRUCCIONES DE OPERACIÓN

Las parrillas de carbón vegetal son sumamente versátiles. Las temperaturas altas son ideales para cocinar rápidamente hamburguesas y salchichas. Intente agregar un poco de aserrín al carbón vegetal o intente combinar distintos tipos de sabores de aserrín para hacer que sus carnes tengan aún más sabor.

PRIMER USO - QUEMAR LA PARRILLA

Antes de usar su ahumador por primera vez con alimentos, es importante hacer un "quemado" del ahumador. Encender el ahumador y operarlo a 177 °C / 350 °F con la tapa del asador cerrada durante 30 a 40 minutos, quemará la unidad y se eliminarán todas las sustancias extrañas.

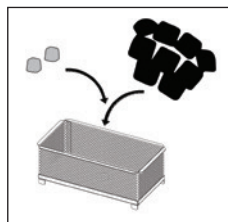
PRECALENTAMIENTO

Es importante que permita que su asador se precaliente antes de colocar alimentos en la unidad. Esto permite que el asador y las parrillas de cocción se calienten más rápido, mata las bacterias y otros patógenos remanentes de cocciones anteriores, y el asador puede mantener su temperatura una vez que coloque su comida. **Precaliente con la tapa puesta.**

IMPORTANTE: la temperatura ambiente en el exterior, las condiciones del tiempo y la calidad de las briquetas de carbón afectarán la temperatura de cocción. Observe el tiempo que tarda en alcanzar la temperatura deseada y ajuste su tiempo de cocción según resulte necesario.

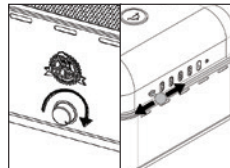
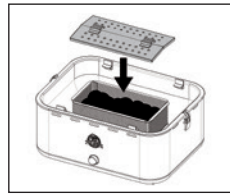
PROCEDIMIENTO DE ARRANQUE

1. Asegúrese de que la **perilla de control del ventilador** esté apagada.
2. Retire la tapa del asador, la parrilla de cocción y la tapa de la caja de carbón vegetal.
3. Coloque las briquetas de carbón vegetal en la caja de carbón vegetal, encima de la placa de flujo de aire. Esto crea espacio entre el ventilador y el combustible para que fluya el aire. Agregue algunos cubos encendedores, o encendedores sólidos, para ayudar a encender las briquetas de carbón.
4. Encienda los cubos usando un encendedor cuello largo o cerillos de seguridad. Una vez que se haga el fuego, deje la tapa de la caja de carbón vegetal durante unos 10 minutos para permitir que todas las briquetas de carbón se enciendan. Gire la **perilla de control del ventilador** al máximo.



NOTA: no se recomienda que avive o voltee los carbones una vez que estén encendidos. Esto permite que el carbón vegetal se caliente de manera más uniforme y eficiente.

- Después de 10 minutos, vuelva a colocar la tapa de la caja de carbón vegetal, luego vuelva a colocar la parrilla de cocción y finalmente la tapa del asador. Controle la temperatura en la tapa del asador y permita que la unidad se precaliente de 15 a 20 minutos aproximadamente. Revise la **perilla de ventilación** en la parte posterior de la tapa del asador y deje los orificios de ventilación completamente abiertos.
- Después de completar el precalentamiento, ¡ya está listo para disfrutar de su asador a la temperatura deseada! Ajuste la **perilla de control del ventilador** y la **perilla de ventilación** para promover más o menos flujo de aire a través de la cámara del asador.



RECARGA DE COMBUSTIBLE DEL ASADOR

Si necesita un tiempo de cocción más largo (por ejemplo, al rostizar un corte entero o al hacer un ahumado lento), podría ser necesario agregar más carbón vegetal.

- Abra la tapa con cuidado cuando cocine para evitar quemaduras debido al aire caliente y el vapor que están atrapados en el interior. Retire la tapa del asador, la parrilla de cocción y la tapa de la caja de carbón vegetal usando guantes resistentes al calor o guantes de cocina.

IMPORTANTE: El asador se calentará mucho y puede causar lesiones graves. No toque las superficies calientes. Use guantes resistentes al calor, pinzas de mango largo o guantes de cocina en todo momento.

- Con cuidado y usando pinzas de mango largo, añada briquetas de carbón nuevas a la caja de carbón vegetal. Ajuste la **perilla de control del ventilador al máximo para promover más flujo de aire a través de la cámara del asador para encender las briquetas de carbón vegetal nuevas.**
- Una vez que se hayan encendido las briquetas de carbón nuevas, reemplace la tapa de la caja de carbón vegetal, la parrilla de cocción y continúe con el uso.

APAGUE SU PARRILLA

- Cierre la **perilla de control del ventilador** por completo.
- Deje de añadir combustible. Ajuste la **perilla de ventilación** en la parte posterior de la tapa del asador para cerrar los orificios de ventilación y permita que el fuego se apague por sí solo.

IMPORTANTE: No use agua para apagar el carbón vegetal, ya que esto podría dañar el asador de carbón vegetal.

CUIDADO Y MANTENIMIENTO

Todos los asadores Pit Boss le darán muchos años de delicioso servicio con un mínimo de limpieza. Un paso importante es permitir que el asador y las parrillas de cocción se "autolimpie" operando el asador en temperatura alta por 5 a 10 minutos después de cada uso. Siga estas indicaciones de mantenimiento y limpieza para dar servicio a su asador:

1. CAJA DE CARBÓN VEGETAL

- Limpie la caja de carbón cuando encuentre una acumulación de cenizas, para asegurarse de que no haya señales de obstrucción de los orificios en la placa de flujo de aire de la caja de carbón vegetal. Revise su caja de carbón con frecuencia y límpiela cuando sea necesario.
- Revise y limpie la tapa de la caja de carbón vegetal de manera consistente, para asegurarse de que los orificios no estén obstruidos. Una obstrucción de este tipo puede ocasionar que no se alcance la temperatura deseada.

2. SUPERFICIES INTERIORES

- Usando un cepillo para limpieza de asadores, elimine toda la comida y acumulación de residuos de las parrillas de cocción. Es mejor hacerlo mientras siguen calientes por una cocción anterior. Los fuegos debido a la grasa son causados por la caída de demasiados desechos en los componentes de cocción del asador. Limpie el interior de su asador con regularidad. En caso de que experimente un fuego debido a la grasa, mantenga la tapa del asador cerrada para sofocar el fuego. Si el fuego no se apaga con rapidez, quite cuidadosamente la comida, apague la perilla de control del ventilador y cierre la perilla de ventilación hasta que el fuego se apague por completo. Espolvoree una pequeña cantidad de bicarbonato de sodio, si tiene disponible.

3. SUPERFICIES EXTERIORES

- Limpie su asador después de cada uso. Use agua jabonosa tibia para cortar la grasa. No utilice limpiador para hornos, limpiadores abrasivos ni fibras abrasivas en las superficies externas del gabinete. **Las superficies pintadas no están cubiertas por la garantía**, sino que son parte del mantenimiento general. En caso de raspones en la pintura, o desgaste o descamado del acabado, puede retocar todas las superficies pintadas con pintura para parrillas resistente a altas temperaturas.
- ¡Use una cubierta de asador para darle una mayor protección a su asador! Una cubierta es la mejor protección contra el tiempo y los contaminantes externos. Cuando no lo use, o para almacenarlo por períodos prolongados, mantenga el asador bajo una cubierta en una cochera o cobertizo.

TABLA DE FRECUENCIA DE LIMPIEZA (USO NORMAL)

ARTÍCULO	FRECUENCIA DE LIMPIEZA	MÉTODO DE LIMPIEZA
Parrilla de cocción	Después de cada uso	Quemar el exceso y usar un cepillo para limpieza de parrillas
Carcasa interna	Cada 2-3 usos	Fibra de limpieza y agua jabonosa
Caja de carbón vegetal	Cada 4-5 usos	Vaciar las cenizas

CONSEJOS Y TÉCNICAS

Siga estos útiles consejos y técnicas, transmitidos por los dueños de Pit Boss, nuestro personal y nuestros clientes, como usted, para familiarizarse con su asador:

1. *SEGURIDAD DE LOS ALIMENTOS*

- Use platos y utensilios diferentes para la carne cocida que los que utilizó para preparar o transportar la carne cruda al asador. Esto evitará la contaminación cruzada por bacterias. Cada marinada o salsa debe tener su propio utensilio.
- Mantenga las comidas calientes calientes (a más de 60 °C / 140 °F), y mantenga las comidas frías frías (a menos de 3 °C / 37°F). Los alimentos cocidos no deben dejarse en un entorno caliente por más de una hora. No deje alimentos calientes fuera del refrigerador por más de dos horas.
- Nunca debe guardar una marinada para usarla en el futuro. Si la va a servir con la carne, asegúrese de hervirla antes de servir.
- Descongele y marine las carnes en refrigeración. No descongele la carne a temperatura ambiente ni sobre un mostrador. Las bacterias pueden crecer y multiplicarse con rapidez en comidas calientes y húmedas. Lávese las manos cuidadosamente con agua tibia y jabón antes de iniciar la preparación de los alimentos y después de manejar carne fresca, pescado y aves.

2. *PREPARACIÓN PARA COCINAR*

- Esté preparado o "**Mise en Place**". Esto se refiere a estar preparado con la receta, el combustible, los accesorios, los utensilios y todos los ingredientes que necesita junto al asador antes de empezar a cocinar. Además, lea toda la receta, de principio a fin, antes de encender el asador.
- Un tapete para asador es muy útil. Debido a los accidentes al manejar la comida y las salpicaduras al cocinar, un tapete protege su terraza, patio o piso de piedra del riesgo de manchas de grasa o derrames accidentales..

3. *CONSEJOS Y TÉCNICAS PARA COCINAR*

- Siempre use un termómetro de carne para determinar la temperatura interna de los alimentos que está cocinando. Es una buena idea colocar los alimentos preparados en un hornillo para mantenerlos calientes. Las carnes rojas, como los bistecs y asados, saben mejor cuando reposan varios minutos antes de servirlos. Esto permite que los jugos que el calor sacó a la superficie regresen al centro de la carne, dándole más sabor.
- Es mejor aplicar las salsas con base de azúcar cerca del final de la cocción, para evitar que se quemen o provoquen llamaradas.
- Use un juego de tenazas de mango largo para voltear las carnes, y una espátula para voltear hamburguesas y pescados. Si usa un utensilio puntiagudo, como un trinche, perforará la carne y permitirá que se escapen los jugos..

SOLUCIÓN DE PROBLEMAS

La limpieza apropiada, el mantenimiento y el uso de combustible de calidad evitarán problemas comunes en la operación. Cuando su asador Pit Boss no funcione bien, o con menos frecuencia, los siguientes consejos para solucionar problemas podrían serle de utilidad.

Para ver las preguntas frecuentes, visite www.pitboss-grills.com o comuníquese con Servicio al Cliente para recibir ayuda.

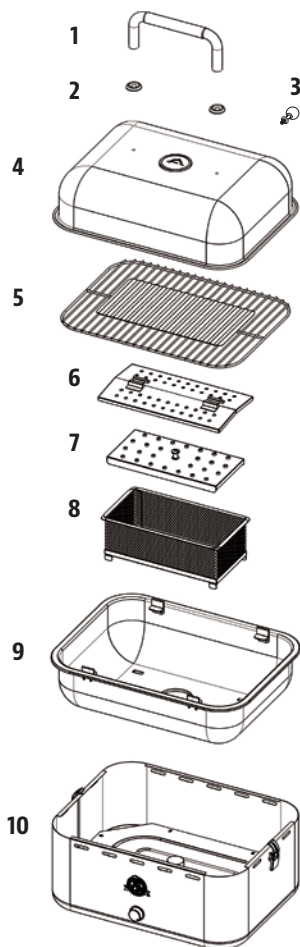
ADVERTENCIA: para evitar lesiones, asegúrese de que el asador está completamente frío antes de cualquier inspección, limpieza, mantenimiento o trabajo de servicio.

PROBLEMA	CAUSA	SOLUCIÓN
El carbón vegetal no se enciende	Flujo insuficiente de aire en la caja de carbón vegetal	Revise la tapa o la placa de flujo de aire de la caja de carbón vegetal para eliminar residuos de ceniza u obstrucciones. Siga las instrucciones de cuidado y mantenimiento en caso de cenizas acumuladas. Revise el ventilador. Asegúrese de que funciona correctamente y de que la entrada de aire no está bloqueada.
	Falta de combustible en la caja de carbón vegetal	Revise la caja de carbón vegetal para verificar que tenga un nivel suficiente de combustible y vuelva a llenarla si el nivel está bajo. La cantidad recomendada de briquetas de carbón vegetal es de un máximo de 0,45 kilogramos o 1 libra por uso.
	Fallo del ventilador	Revise el ventilador para asegurarse de que funciona correctamente. Reemplace las baterías de ser necesario. Si se debe reemplazar el ventilador, comuníquese con el Servicio al Cliente para solicitar el repuesto.
El termómetro no muestra la lectura	Pieza rota	Se debe reemplazar el termómetro. Comuníquese con Servicio al Cliente para solicitar el repuesto.
El asador se calienta demasiado	Flujo excesivo de aire	Gire la perilla de control del ventilador a la posición de apagado y cierre completamente la perilla de ventilación para permitir que el combustible se ahogue por falta de oxígeno. Para cocinar a una temperatura más baja utilice menos combustible.
El asador no se calienta lo suficiente	Flujo insuficiente de aire	Gire la perilla de control del ventilador al máximo y abra completamente la perilla de ventilación para permitir que el asador tenga más flujo de oxígeno, lo que quemará el carbón más rápidamente y aumentará la temperatura.

PIEZAS DE REPUESTO

Nº	Descripción
1-A	Manija de la tapa
2-A	Bisel de la manija de la tapa (x2)
3-A	Asa de la tapa
4-A	Tapa del asador
5-A	Parrilla de cocción
6-A	Tapa de la caja de carbón vegetal
7-A	Placa de flujo de aire de la caja de carbón vegetal
8-A	Caja de carbón vegetal
9-A	Carcasa interna
10-A	Cuerpo del asador

NOTA: Debido a que los productos están en desarrollo constante, las partes están sujetas a cambios sin previo aviso.



GARANTÍA

CONDICIONES

Todos los asadores de carbón vegetal Pit Boss fabricados por Dansons tienen una garantía limitada a partir de la fecha de venta, solo para el comprador original. La cobertura de la garantía comienza en la fecha original de compra y es necesario un comprobante de la fecha de la compra o una copia de la factura original de compra para validar la garantía. Los clientes deberán cubrir el costo de los repuestos, manejo y envío si no pueden suministrar el comprobante de compra o si la garantía ha expirado.

Dansons ofrece una garantía por un (1) año contra defectos y mano de obra en todas las piezas. Dansons garantiza que todas las piezas están libres de defectos materiales y de mano de obra, para el período de uso y propiedad del comprador original. La garantía no cubre daños por desgaste normal, tales como rasguños, abolladuras, muescas o fisuras menores superficiales. Estos cambios estéticos en la parrilla no afectan su rendimiento. La reparación o reemplazo de cualquier pieza no extiende el período de garantía limitada más allá de un (1) año a partir de la fecha de compra.

Durante el período de la garantía, la obligación de Dansons se limitará solo a suministrar un reemplazo para componentes defectuosos o que presenten fallas. Durante el período de garantía, Dansons no cobrará por la reparación o reemplazo de piezas devueltas, con envío pagado previamente, si considera que las piezas son defectuosas luego de haberlas examinado. Dansons no será responsable de costos de transporte, mano de obra o derechos de exportación. Salvo por lo establecido en estas condiciones de la garantía, la reparación o reemplazo de piezas, de la manera y durante el período aquí mencionados, constituye el cumplimiento de todas las responsabilidades y obligaciones, directas y derivadas, de Dansons hacia usted.

Dansons hace todo lo posible por utilizar materiales que resistan la oxidación. Incluso con estas precauciones, diferentes sustancias y condiciones fuera del control de Dansons pueden afectar los recubrimientos protectores. Las temperaturas altas, la humedad excesiva, el cloro, los humos industriales, los fertilizantes, los pesticidas de jardín y la sal son algunas de las sustancias que pueden afectar los recubrimientos del metal. Por estas razones, la garantía no cubre corrosión ni oxidación, a menos que exista una pérdida de la integridad estructural en el componente del asador. Si ocurre alguna de las condiciones anteriores, consulte la sección de cuidado y mantenimiento para mantener el acabado de su asador y su vida útil. Dansons recomienda el uso de una cubierta para asador de extensión completa cuando este no esté en uso.

La garantía se basa en el uso y servicio doméstico normal del asador, y ninguna garantía limitada se aplica a un asador que se utilice en aplicaciones comerciales.

EXCEPCIONES

No existe una garantía escrita o implícita de desempeño en los asadores Pit Boss, ya que el fabricante no tiene control sobre la instalación, la operación, la limpieza, el mantenimiento o el tipo de combustible utilizado. Esta garantía no aplicará, y Dansons no asumirá ninguna responsabilidad, si su aparato no se instaló, operó, limpió o mantuvo en estricto cumplimiento con este manual del propietario. Cualquier uso de gas que no se explique en este manual puede anular la garantía. La garantía no cubre daños ni fallas debidas al mal uso, manejo inapropiado o modificaciones.

Ni Dansons ni el distribuidor autorizado de Pit Boss asumen responsabilidad alguna, jurídica o de otro tipo, por los daños accidentales o consecuentes a los bienes o las personas debido al uso de este producto. Si se realiza una demanda contra Dansons con base en una infracción de esta garantía o de cualquier otro tipo de garantía explícita o implícita por la ley, el fabricante de ninguna manera será responsable de cualquier daño especial, indirecto o consecuente, ni por otros daños de cualquier naturaleza, por encima del precio original de compra de este producto. Todas las garantías del fabricante se especifican en este documento y no se puede realizar ninguna demanda contra el fabricante por cualquier garantía o promesa.

Algunos estados no permiten la exclusión o limitación de daños incidentales o consecuentes, o limitaciones de garantías implícitas, así que las limitaciones o exclusiones especificadas en esta garantía limitada podrían no aplicar para usted. Esta garantía limitada le da derechos jurídicos específicos y usted podría tener otros derechos, los cuales varían de estado a estado.

¿CÓMO PEDIR PIEZAS DE REPUESTO?

Para pedir piezas de repuesto, comuníquese con el distribuidor de Pit Boss de su localidad, o visite nuestra tienda en línea en: **www.pitboss-grills.com**

CONTACTO CON EL SERVICIO AL CLIENTE

Si tiene preguntas o problemas, comuníquese con servicio al cliente, lunes a viernes de 4 am - 8 pm hora del pacífico (ENG/FR/ES).

service@pitboss-grills.com

Línea sin costo: 1-877-303-3134 | Fax sin costo: 1-877-303-3135

PROCEDIMIENTO PARA EL SERVICIO BAJO GARANTÍA

Dansons requiere un comprobante de compra para otorgar una reclamación de garantía; por lo tanto, conserve su recibo o factura de venta original para referencia futura. Escriba los datos en el espacio a continuación, ya que la etiqueta de clasificación de seguridad podría desgastarse o quedar ilegible.

MODELO

NÚMERO DE SERIE

FECHA DE COMPRA

DISTRIBUIDOR AUTORIZADO

ACCESORIOS VENDIDOS POR SEPARADO

Disponibles para comprar por separado. Accesorios no disponibles y suministrados por todos los distribuidores autorizados de Pit Boss.

ARTÍCULO	DESCRIPCIÓN
	<p>TAPETE PARA ASADOR</p> <p>Fácil de limpiar, con protección UV. Protección para su terraza. 132cm x 86cm / 52 x 34 pulg</p>
	<p>DELANTAL PARA ASAR</p> <p>Delantal ajustable con dos bolsillos al frente para sus herramientas para cocinar. Talla única. Lavable a máquina.</p>
	<p>SALSAS DISTINTIVAS</p> <p>Una colección de salsas gourmet para preparar y mejorar los sabores naturales de sus comidas.</p>
	<p>ESPECIAS DISTINTIVAS</p> <p>Una colección de sazónadores gourmet para preparar y mejorar los sabores naturales de sus comidas.</p>

IMPORTANT

DO NOT RETURN PRODUCT TO STORE

For all questions, comments, or inquiries, please contact Dansons directly. Our Customer Service department is available:

Monday through Sunday, 4am - 8pm PST (EN/FR/ES)

TOLL FREE: 1-877-303-3134 | TOLL FREE FAX: 1-877-303-3135

IMPORTANT

NE RETOURNEZ PAS LE PRODUIT AU MAGASIN

Pour toute questions, commentaires ou demandes de renseignements, veuillez communiquer avec Dansons directement. Le service à la clientèle est ouvert:

DU LUNDI AU DIMANCHE, DE 4H À 20H HP (ANG/FR/ES)

NUMÉRO SANS FRAIS : 1-877-303-3134 | TÉLÉCOPIEUR SANS FRAIS : 1-877-303-3135

¡IMPORTANTE!

NO DEVUELVA EL PRODUCTO A LA TIENDA

Para el preguntas, comentarios o consultas, por favor contactar Dansons directamente. Nuestro departamento de servicio al cliente está disponible:

LUNES A VIERNES DE 4:00 A.M. A 8:00 P.M. TIEMPO DEL PACÍFICO.

LLAMADA GRATUITA: 1-877-303-3134 | FAX GRATUITO: 1-877-303-3135

(Teléfono y servicios no válidos en México).

MADE IN CHINA | FABRIQUÉ EN CHINE | HECHO EN CHINA

⚠️ WARNING: COMBUSTION OF CHARCOAL CAN EXPOSE YOU TO CHEMICALS INCLUDING SOOT, WHICH IS KNOWN TO THE STATE OF CALIFORNIA TO CAUSE CANCER, AND CARBON MONOXIDE, WHICH IS KNOWN TO THE STATE OF CALIFORNIA TO CAUSE BIRTH DEFECTS OR OTHER REPRODUCTIVE HARM. FOR MORE INFORMATION GO TO WWW.P65WARNINGS.CA.GOV

⚠️ AVERTISSEMENT : LA COMBUSTION DU CHARBON PEUT VOUS EXPOSER À DES PRODUITS CHIMIQUES INCLUANT LA SUIE, CONNUE PAR L'ÉTAT DE CALIFORNIE POUR CAUSER LE CANCER, ET LE MONOXYDE DE CARBONE, CONNU PAR L'ÉTAT DE LA CALIFORNIE COMME CAUSANT DES ANOMALIES CONGÉNITALES OU AUTRES EFFETS NOCIFS SUR LA REPRODUCTION. POUR ACCÉDER À D'AUTRES INFORMATIONS, RENDEZ-VOUS À WWW.P65WARNINGS.CA.GOV

⚠️ ADVERTENCIA: LA COMBUSTIÓN DEL CARBÓN PUEDE EXPONERLO A SUSTANCIAS QUÍMICAS, INCLUYENDO EL HOLLÍN, QUE EL ESTADO DE CALIFORNIA SABE QUE PROVOCAN CÁNCER, Y AL MONÓXIDO DE CARBONO, QUE EL ESTADO DE CALIFORNIA SABE QUE CAUSA DEFECTOS CONGÉNITOS Y OTROS DAÑOS REPRODUCTIVOS. PARA OBTENER MÁS INFORMACIÓN, VISITE WWW.P65WARNINGS.CA.GOV

PITBOSS-GRILLS.COM



780201229UMV

