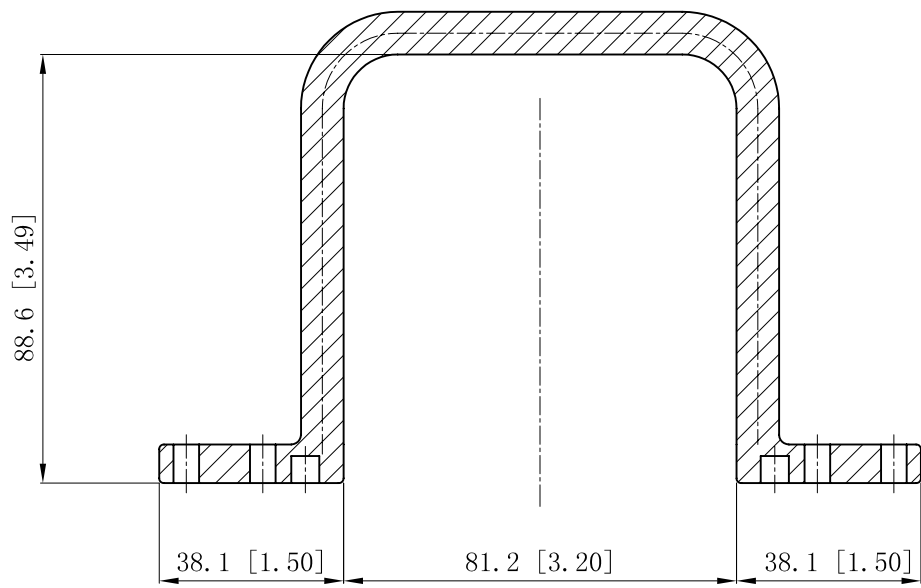
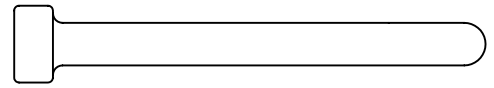
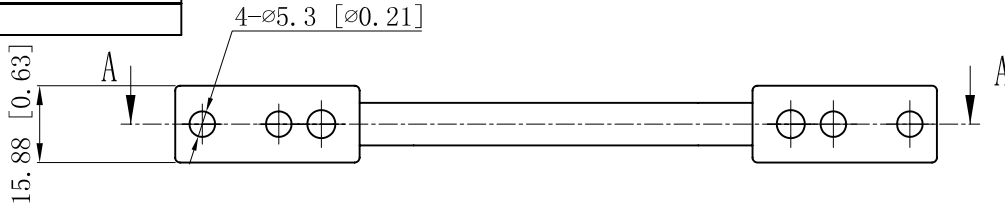
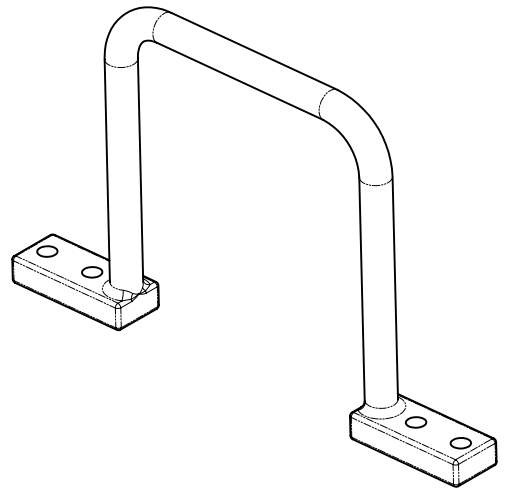


SIDES	BOTTOM
Material: PA+GF30 Gray	



CUTAWAY VIEW A-A



This data sheet is for reference only .GARVIN INDUSTRIES reserves the right to make changes to the design without prior notice.

DESCRIPTION
TRADE REFERENCE TERMS

STANDARD PACKING
50 PCS

TITLE		GARVIN INDUSTRIES	
METAL DISTRIBUTION "D" RINGS			
SIZE	DWG NO.	DST-300-P	REV
A4			B
DATA SHEET			