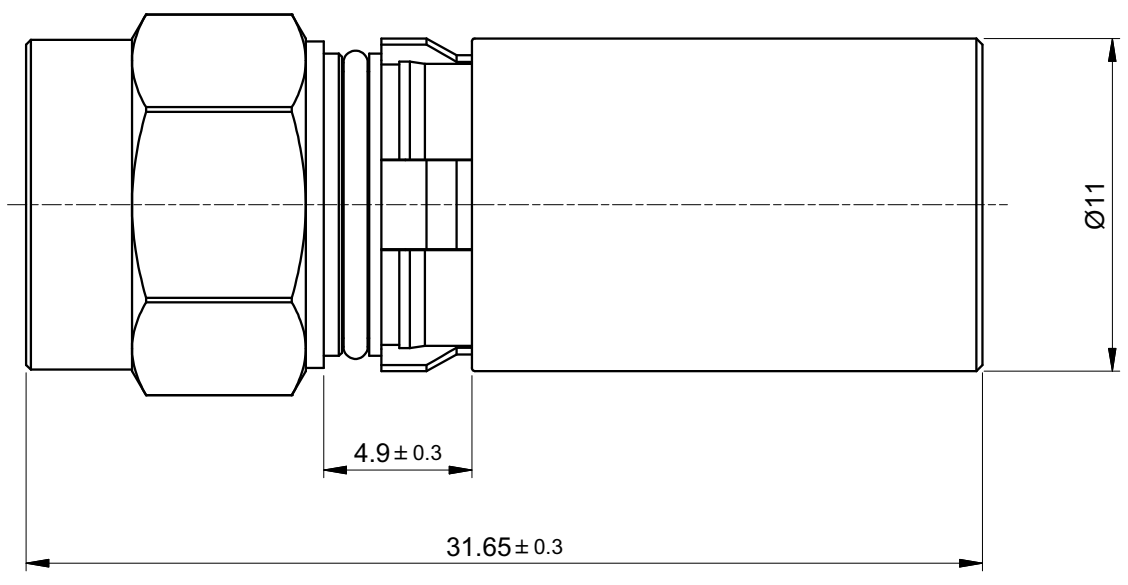


NO.						
△						
△						



MATERIAL SPECIFICATIONS:
 Bodies: Brass , Nickel
 Insulators: POM
 Nut: BRASS , Nickel
 Oring: NBR

UNSPECIFIED TOLERANCES: ±0.1mm
 Cable: RG-59

PART NAME **K3904**