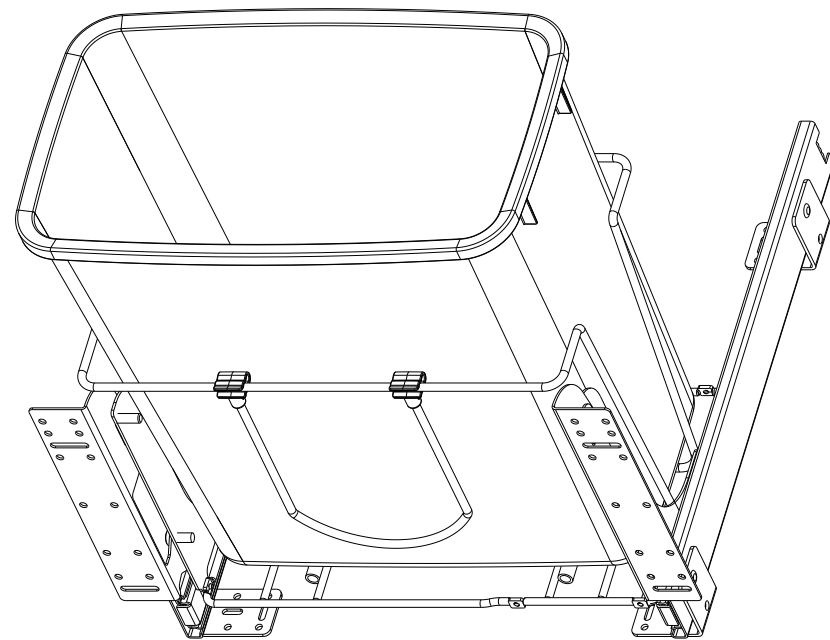


CUSTOMER DRAWING

This drawing is the property of Rev-A-Shelf (RAS) and is disclosed in confidence to the extent its subject matter is original to RAS. Any vendor receiving this drawing from RAS shall hold and use this drawing for the sole benefit of RAS and shall not disclose it to, or use or reproduce it for any third party, or perform any act adverse to the interest of RAS with respect to this drawing without the express written permission of RAS. Vendors shall not revise any physical, dimensional or performance characteristic unless authorized by Rev-A-Shelf Engineering.

REV.	DATE	BY	DESCRIPTION OF CHANGE

INCH [MM]	AMERICAN PROJECTION	DRAWN	BY	DATE	REV-A-SHELF, INC.	
		KRR	KRR	3-17-21	SIZE	SINGLE 200T 14" ORIENT
TOLERANCES		ANGLES ±1/2°	MATERIAL	DRAWING NO.	SCALE	SHEET OF
MAT.	DEC.		FINISH	PART NO.		
(WOOD)	.XX ±.03 [.8mm]			RUKD-820-1	0.200	1 2
(OTHER)	.XX ±.02 [.5mm]			RUKD-820-1		
(ALL)	.XXX ±.005 [.13 mm]					
	FRACTIONS ±1/32 [.8 mm]					



PART DIMENSIONS		
	MIN	MAX
WIDTH	14.50	
DEPTH	15.75	
HEIGHT	16.63	
CONTAINER CAPACITY	20	
CONTAINER UOM	QUARTS	

MIN CABINET OPENING				
	FACE FRAME	FRAMELESS	INSET FACE FRAME	INSET FRAMELESS
WIDTH	14.50	14.50	14.50	14.50
DEPTH	16.00	16.00	16.75	16.75
HEIGHT	17.00	17.00	17.00	17.00

SLIDE SPECIFICATIONS				
SLIDE MANUFACTURER				
SLIDE PART NUMBER		RELEASE PART NUMBER		
SLIDE TYPE	BALL BEARING	SLIDE EXTENSION	FULL	MAX WEIGHT RATING
SLIDE CLOSING	NORMAL	SLIDE LENGTH	15.75 [400]	
SLIDE MOUNTING	BOTTOM	SLIDE FINISH	ZINC	100 LB

CUSTOMER DRAWING

This drawing is the property of Rev-A-Shelf (RAS) and is disclosed in confidence to the extent its subject matter is original to RAS. Any vendor receiving this drawing from RAS shall hold and use this drawing for the sole benefit of RAS and shall not disclose it to, or use or reproduce it for any third party, or perform any act adverse to the interest of RAS with respect to this drawing without the express written permission of RAS. Vendors shall not revise any physical, dimensional or performance characteristic unless authorized by Rev-A-Shelf Engineering.

REV.	DATE	BY	DESCRIPTION OF CHANGE

INCH [MM]	AMERICAN PROJECTION 	DRAWN	BY	DATE	REV-A-SHELF, INC.
			KRR	3-17-21	
			MATERIAL	DRAWING NO.	SCALE
			FINISH	RUKD-820-1	0.200
				PART NO.	SHEET OF
				RUKD-820-1	2 OF 2

TOLERANCES
 MAT. DEC.
 (WOOD) .XX ±.03 [.8mm]
 (OTHER) .XX ±.02 [.5mm]
 (ALL) .XXX ±.005 [.13 mm]
 FRACTIONS ±1/32 [.8 mm]

ANGLES ±1/2°