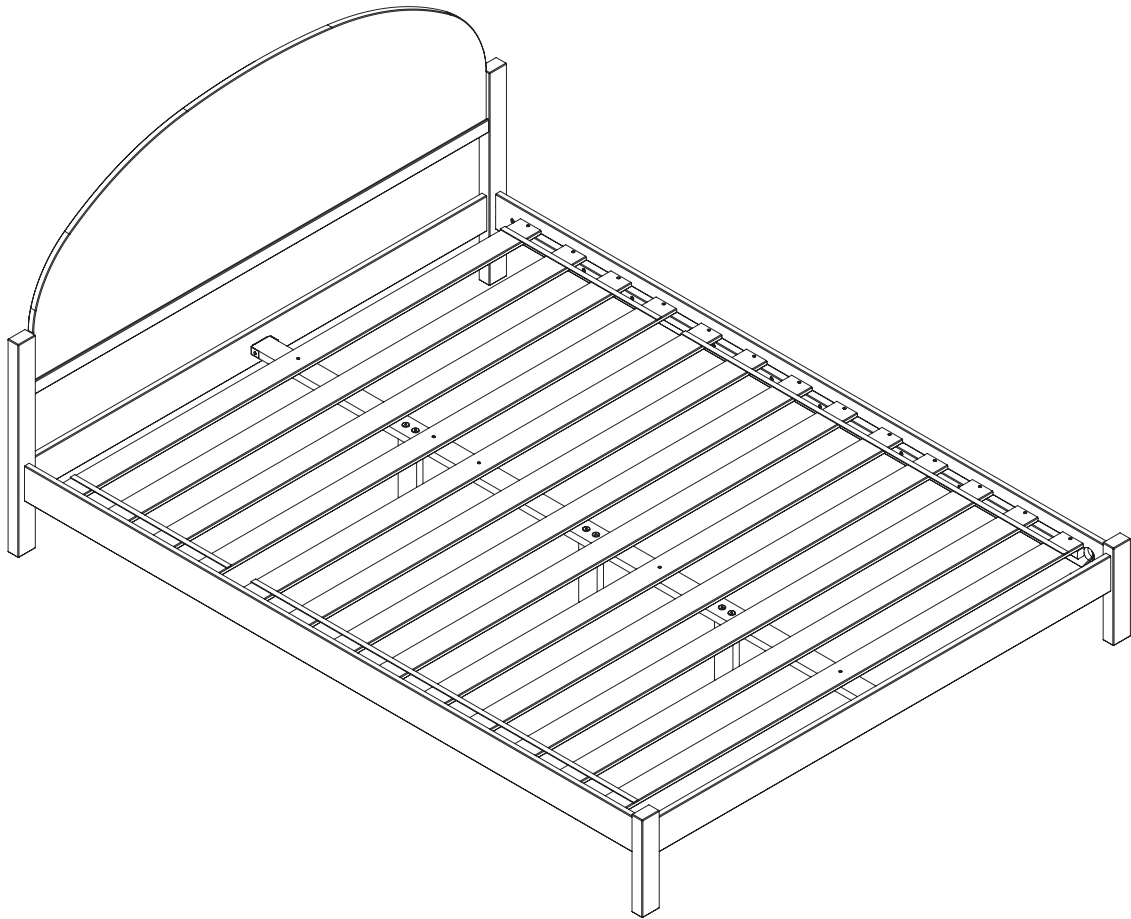


Item: ELIB5C

Assembly Instructions

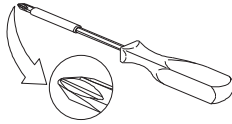
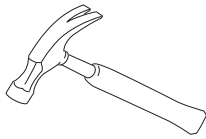


Please visit our website for the most current instructions, assembly tips, to report damage or request parts. www.walkeredison.com

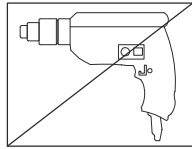
Revised 01/24-V1

General Assembly Guidelines

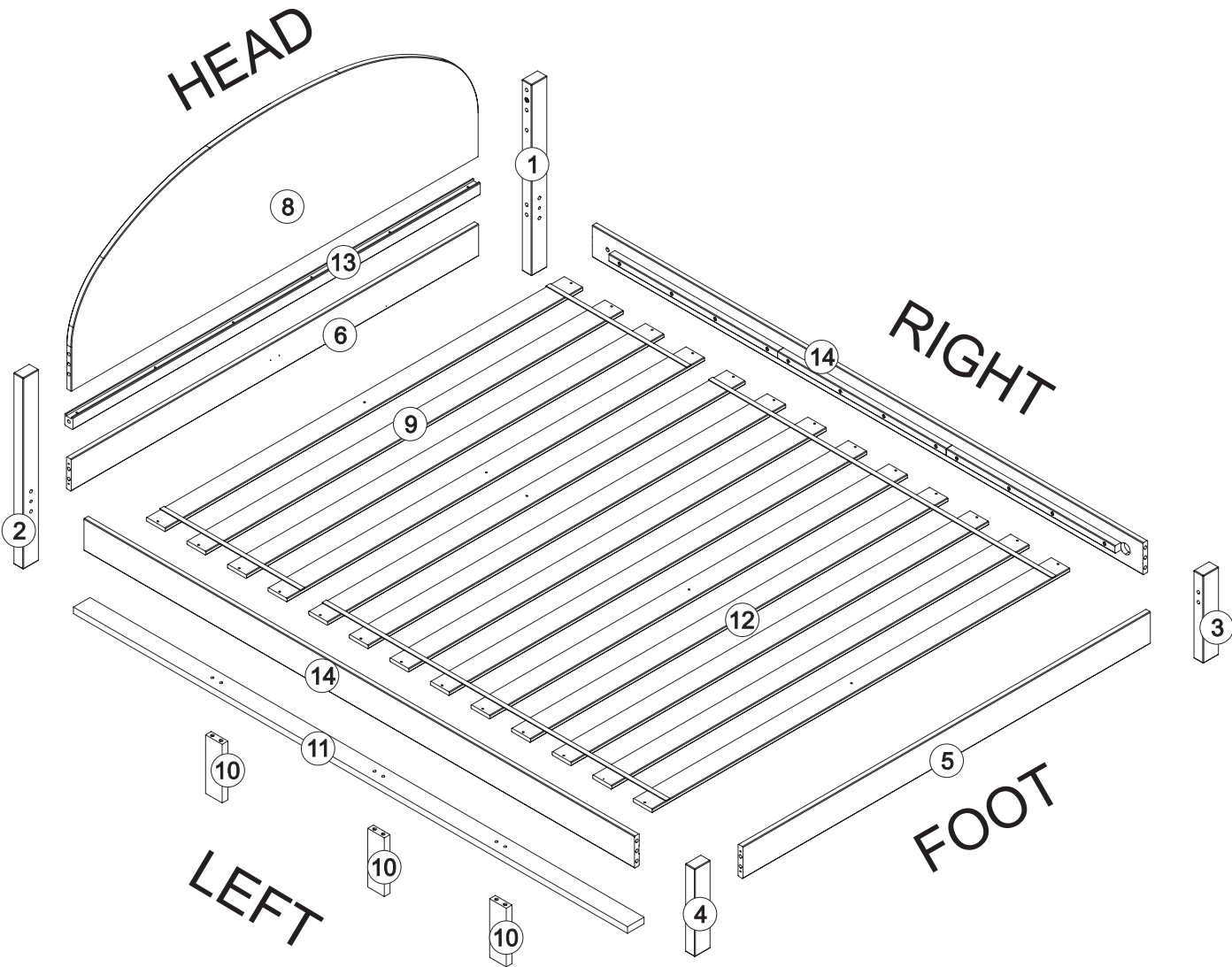
- I. Ensure that all parts and hardware are available before beginning assembly.
- II. Follow each step carefully to ensure the proper assembly of this product.
- III. Two people are recommended for ease in the assembly of this product.
- IV. The three main types of hardware used to assemble this product are : wood dowels , screws and bolts.
- V. Hammer and a Phillips head screwdriver are required for the assembly of this product.



- VI. Power tools should not be used to assemble this product .



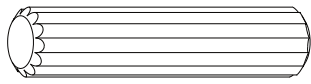

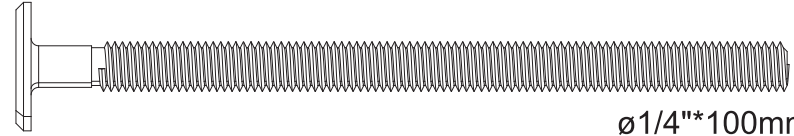
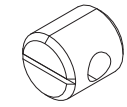

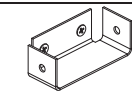
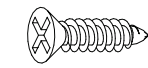
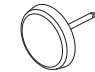
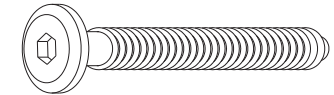
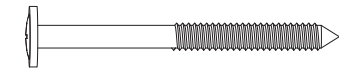

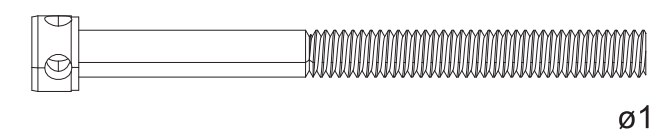
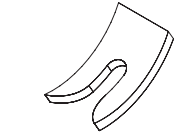
Parts List

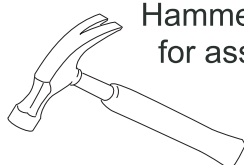


Part #	Description	Qty
1	Headboard Right Leg	01 pc
2	Headboard Left Leg	01 pc
3	Footboard Right Leg	01 pc
4	Footboard Left Leg	01 pc
5	Footboard Rail	01 pc
6	Headboard Rail	01 pc
8	Headboard Panel	01 pc
9	Slats	01 pc

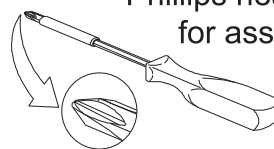
Part #	Description	Qty
10	Center Foot	03 pcs
11	Center Slat	01 pc
12	Slats	01 pc
13	Headboard Panel Rail	01 pc
14	Bed Side Rail	02 pcs

Hardware List

A		ø10*40mm	Dowel	22 pcs
B		ø4.0*30mm	Screw	24 pcs
C		ø1/4"*100mm	Bolt	02 pcs
D			Nut	02 pcs
E			Hex key	01 pc
F			Support	02 pcs
G		ø4.0*16mm	Screw	08 pcs
H			Plastic Foot	03 pcs
I		ø7,0"*40mm	Screw	06 pcs
J		ø3,5*40mm	Screw	08 pcs
K			Flat Key	01 pc
L		ø1/4"*75mm	Perforated Head Screw	04 pcs
M		ø25x15 mm	Fork Washer	04 pcs



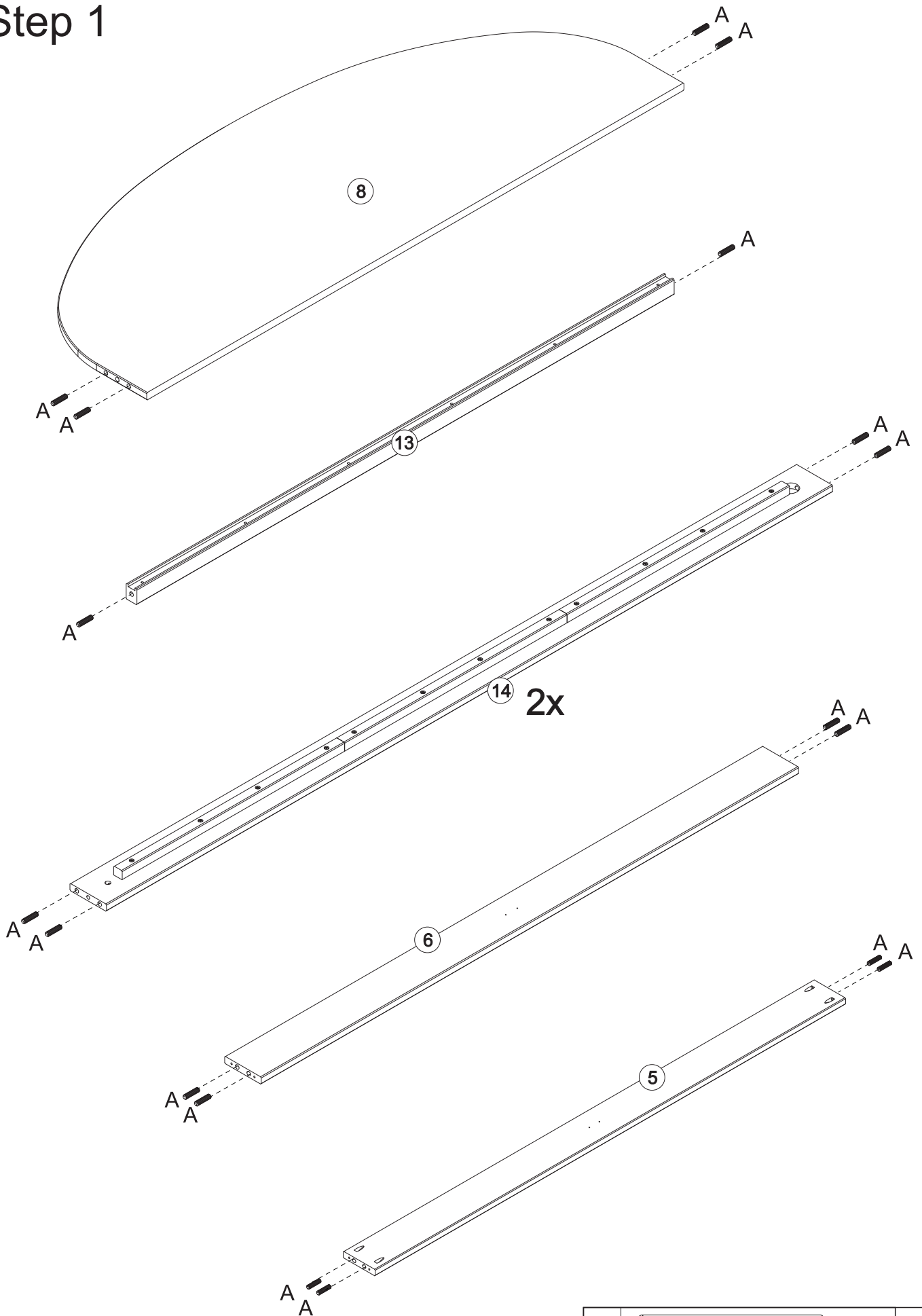
Hammer recommended for assembly (not included)



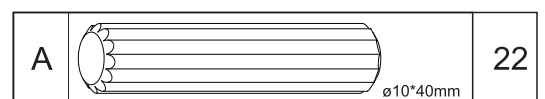
Phillips head screwdriver required for assembly (not included)

The hardware quantities listed above are required for proper assembly. Some extra hardware may also have been included.

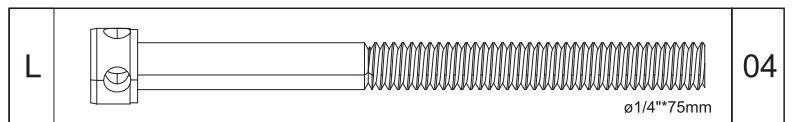
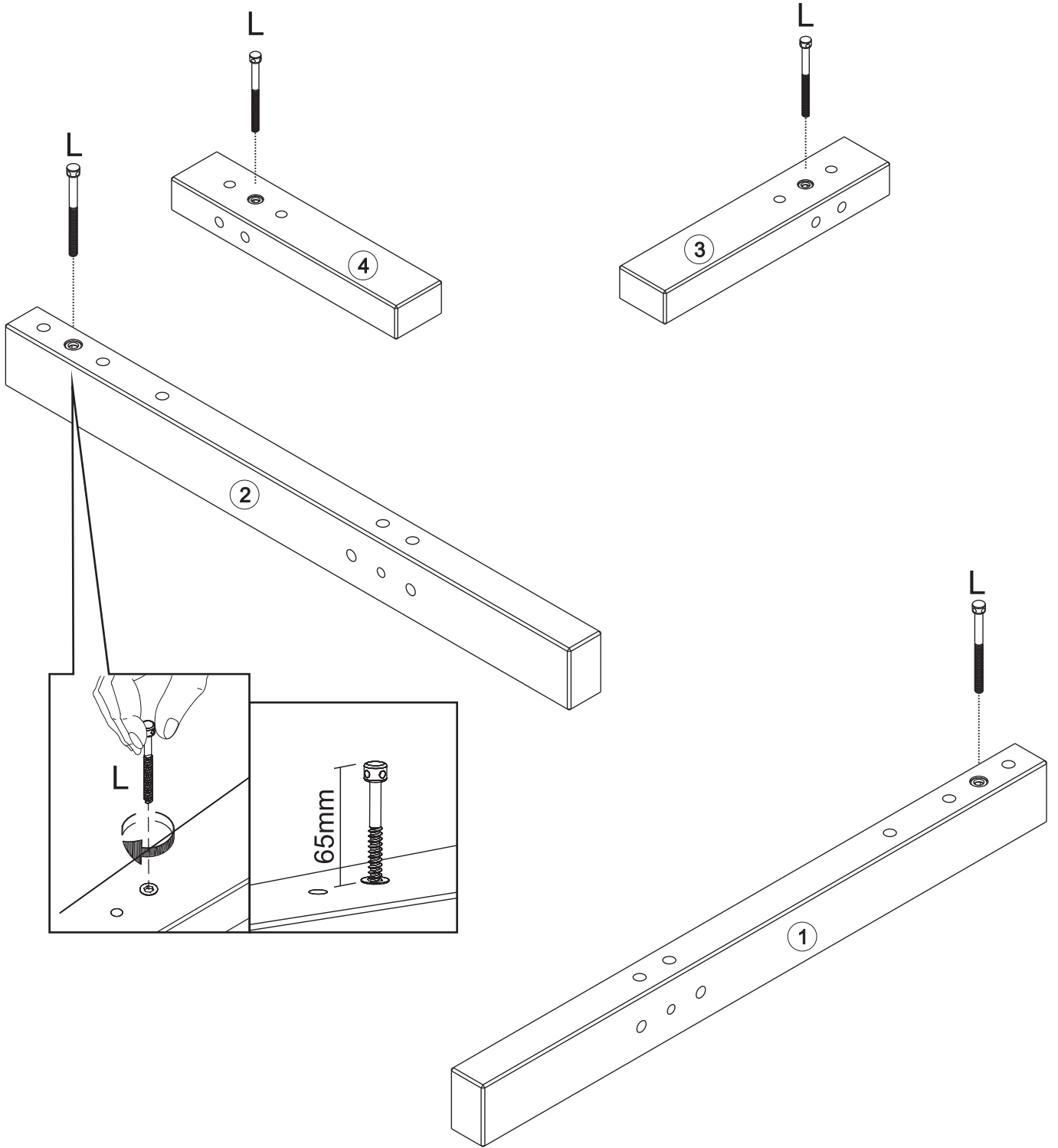
Step 1



Insert the dowel (A) into parts 5,6,8,13 and 14



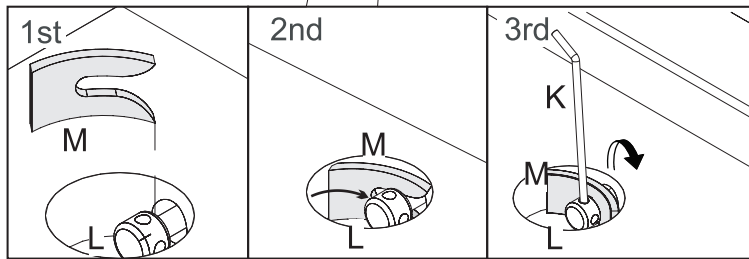
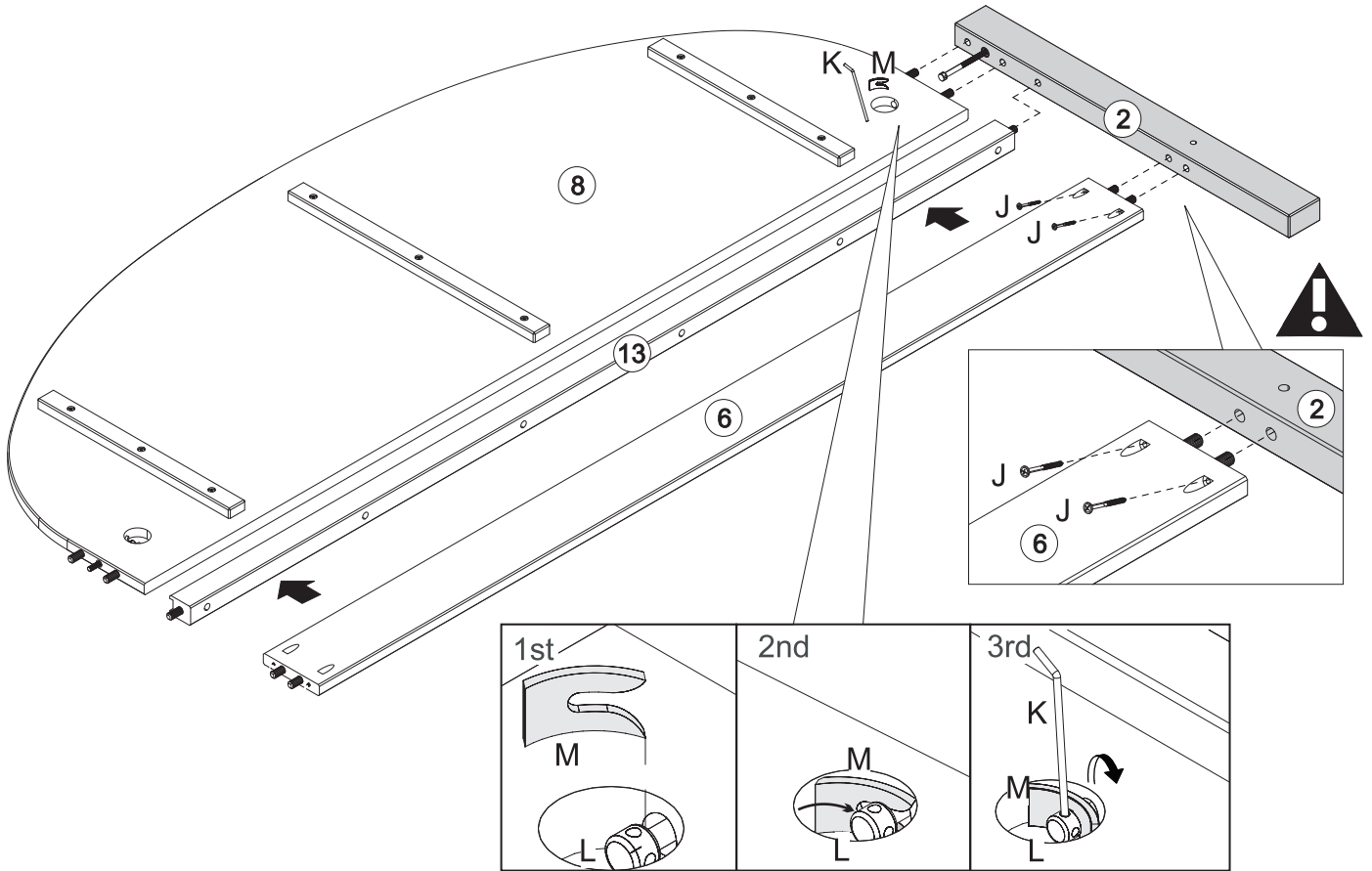
Step 2

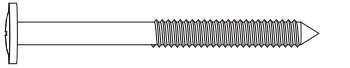

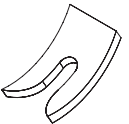


Connect hardware (L) in to parts 1,2,3 and 4.
Do not tighten the screw all the way.

Step 3

Please assemble on a clean soft surface to avoid damage.

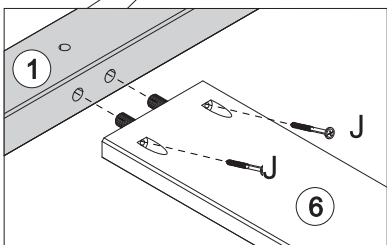
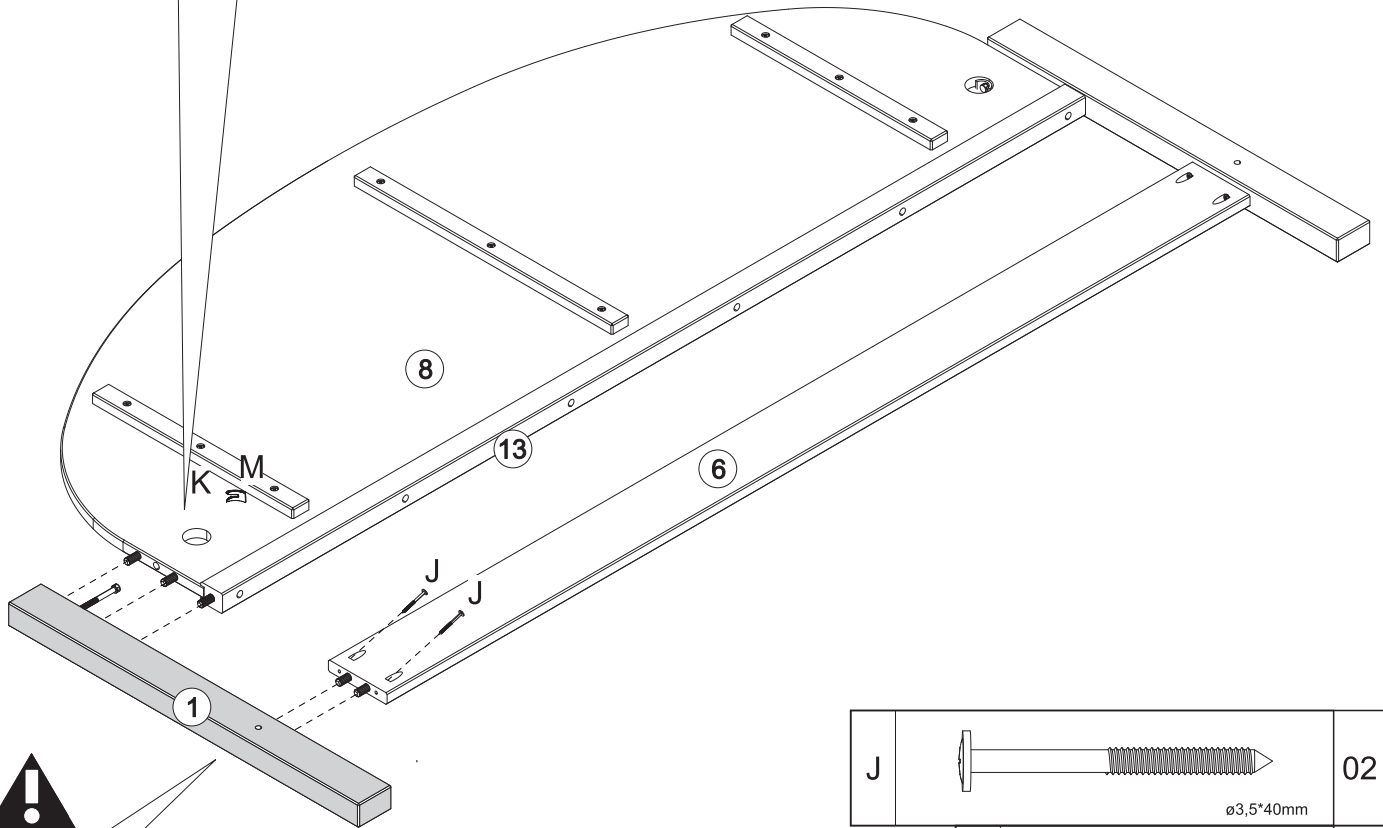
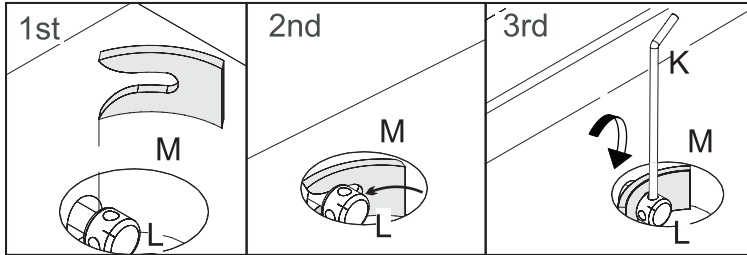
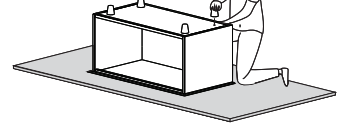


J		02
<small>ø3,5*40mm</small>		
K		01
M		01

Attach part 2 to parts 6, 8 and 13
 Secure part 2 to part 6 using screws (J) with Phillips head screwdriver
 Secure part 2 to part 8 using key (K) screws (L) and washer (M)

Step 4

Please assemble on a clean soft surface to avoid damage.



J	$\text{ø}3,5 \times 40\text{mm}$	02
K		01
M		01

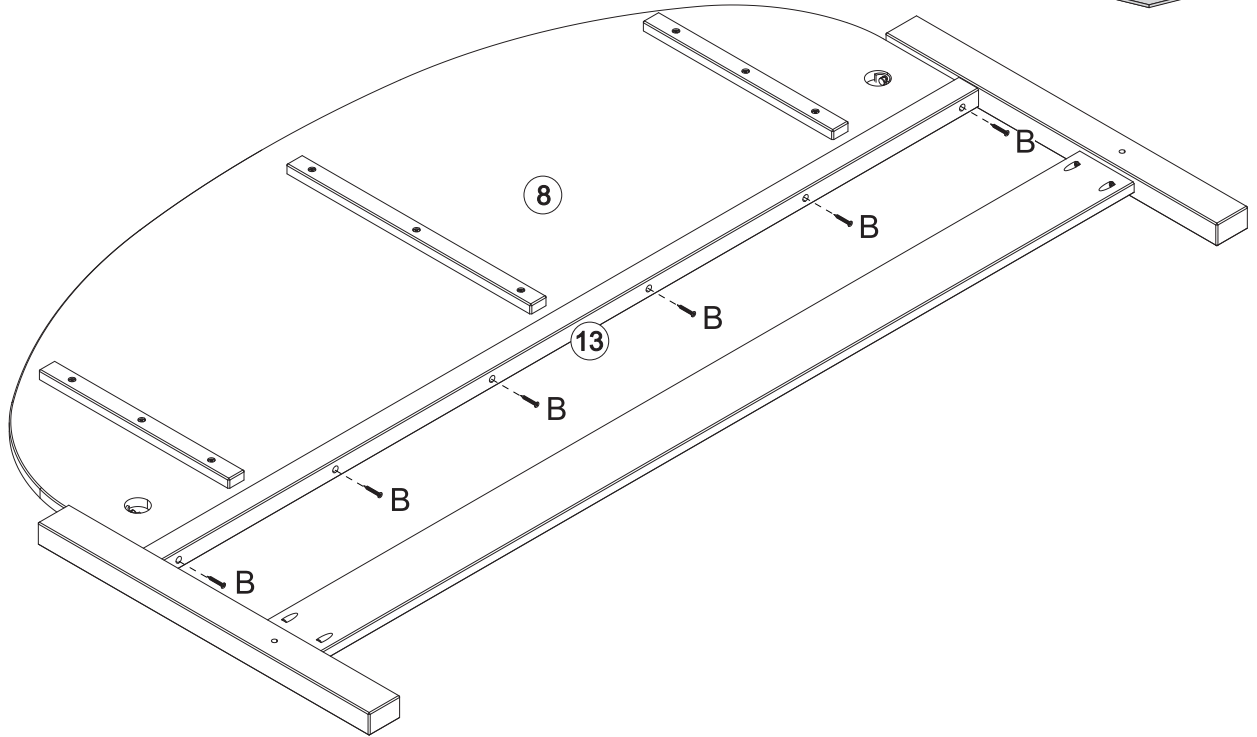
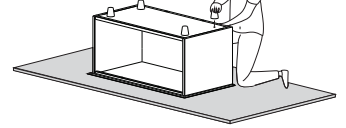
Attach part 1 to parts 6, 8 and 13

Secure part 1 to part 6 using screws (J) with Phillips head screwdriver

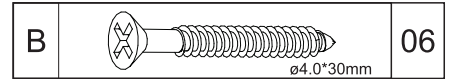
Secure part 1 to part 8 using key (K) screws (L) and washer (M)

Step 5

Please assemble on a clean soft surface to avoid damage.

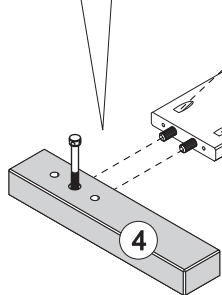
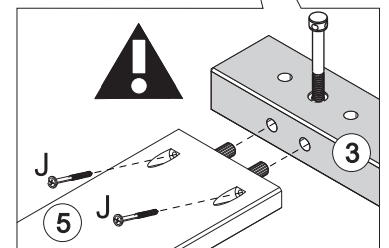
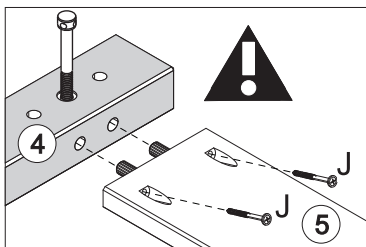
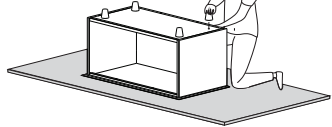


Attach parts 8 and 13 using screw (B), with Phillips head screwdriver.

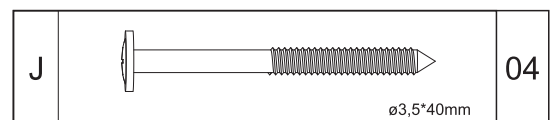


Step 6

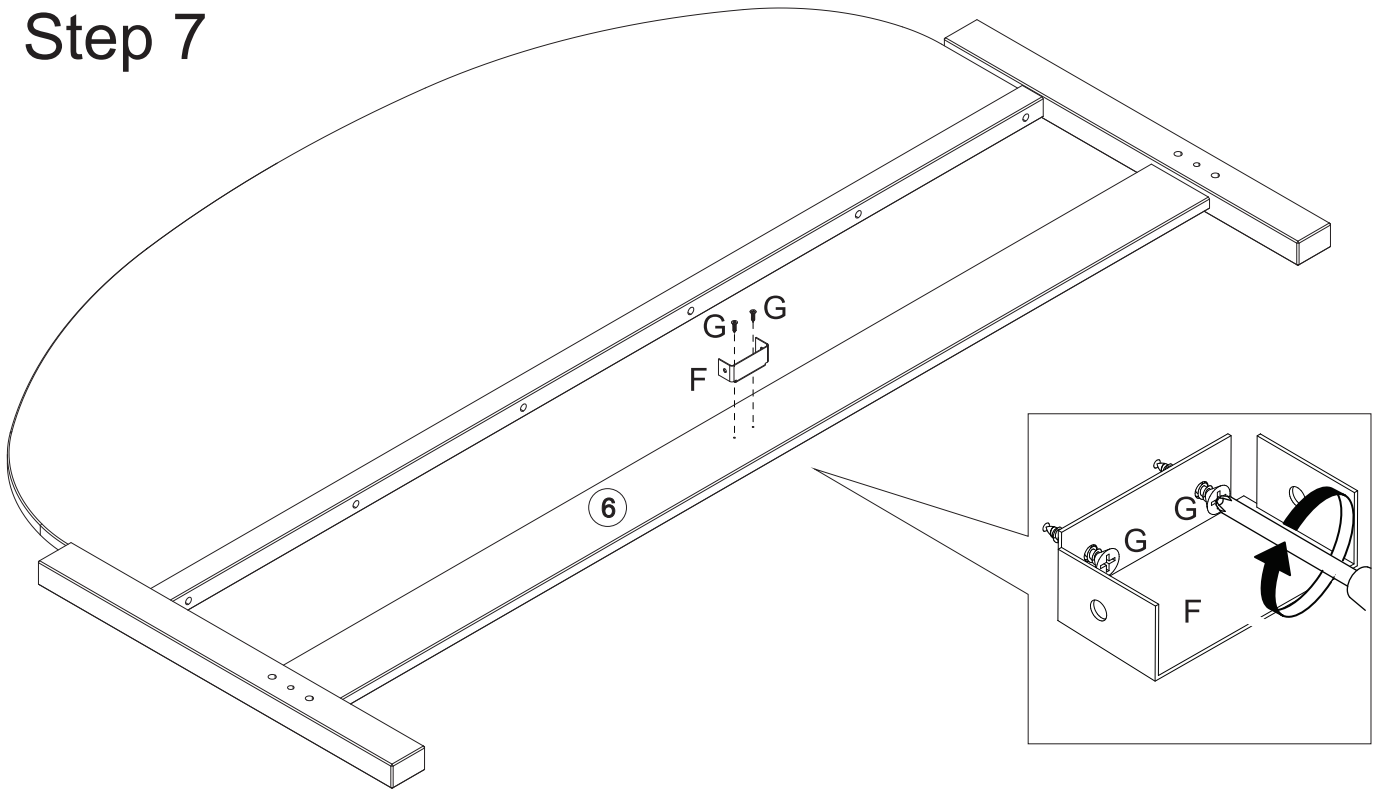
Please assemble on a clean soft surface to avoid damage.

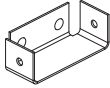



Attach parts 3 and 4 to part 5 using screw (J), with Phillips head screwdriver.



Step 7

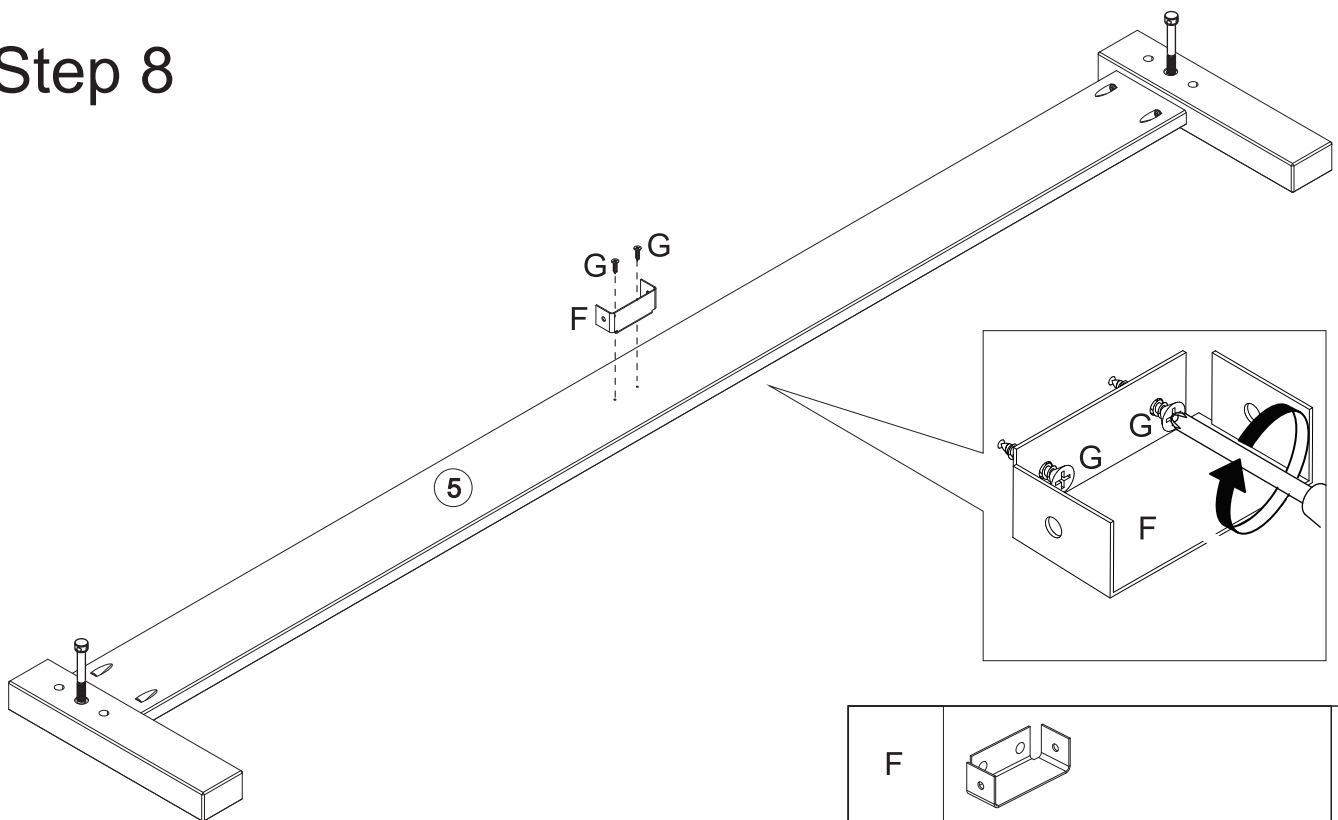


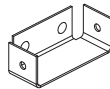
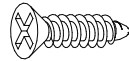
F		01
G		02

ø4.0**16mm

Apply support (F) on part 6 and fix with screw (G), using the Phillips head screwdriver.

Step 8

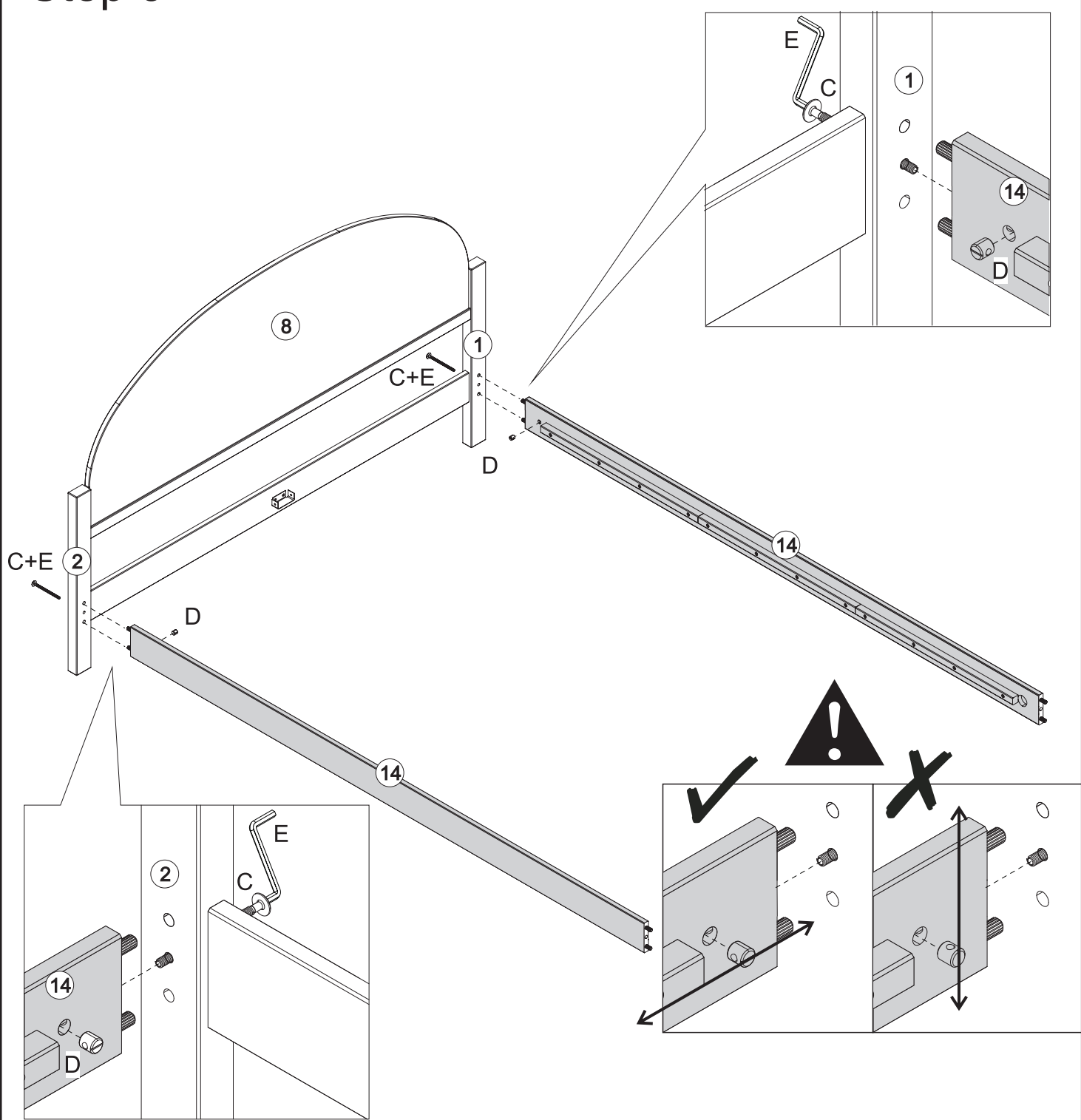


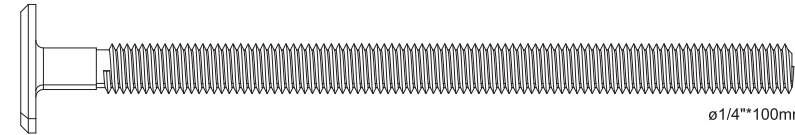
F		01
G		02

ø4.0**16mm

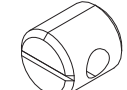
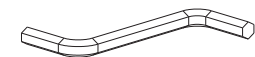
Apply support (F) on part 5 and fix with screw (G), using the Phillips head screwdriver.

Step 9



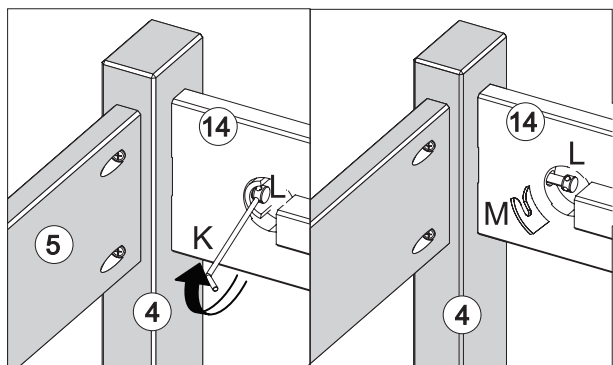
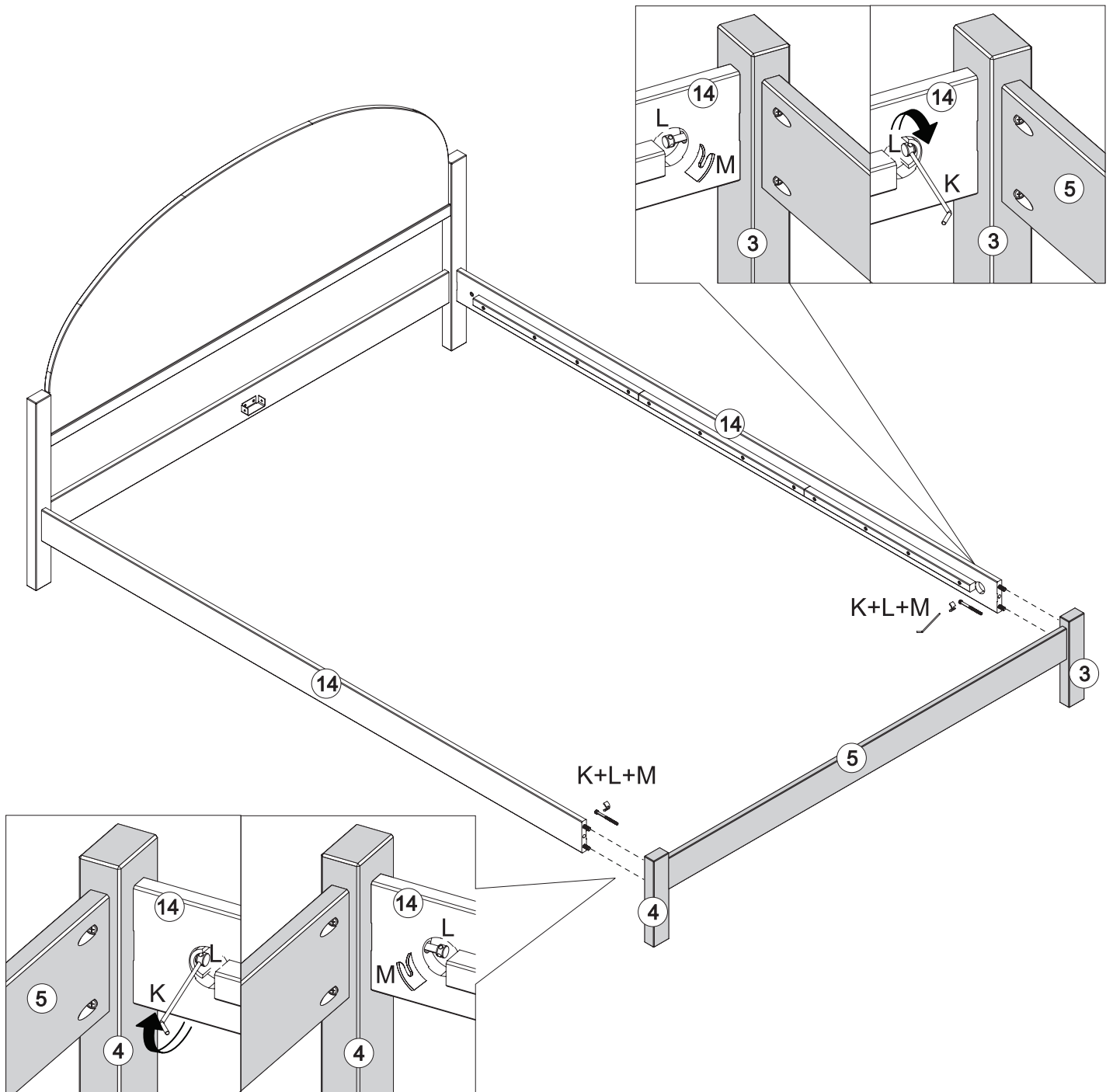
C		02
---	--	----

ø1/4" * 100mm

D		02
E		01

Attach parts 14 with the legs 1 and 2 , using screw (C) and nut (D) with hex key (E). Align the nut (D) slot with the direction of the screw.

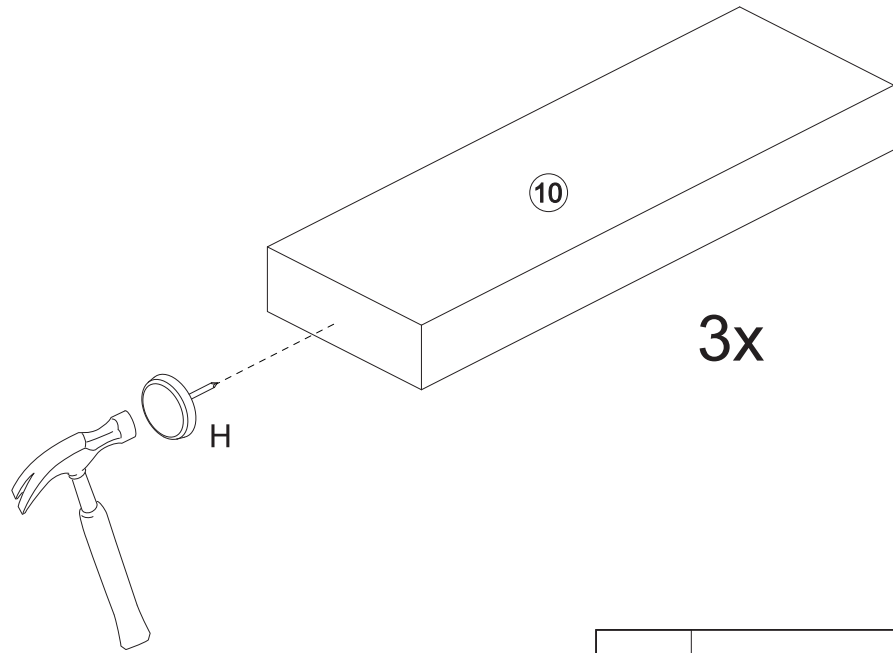
Step 10



K		01
M		02

Attach parts 14 with the legs 3 and 4 , using key (K) and washer (M)

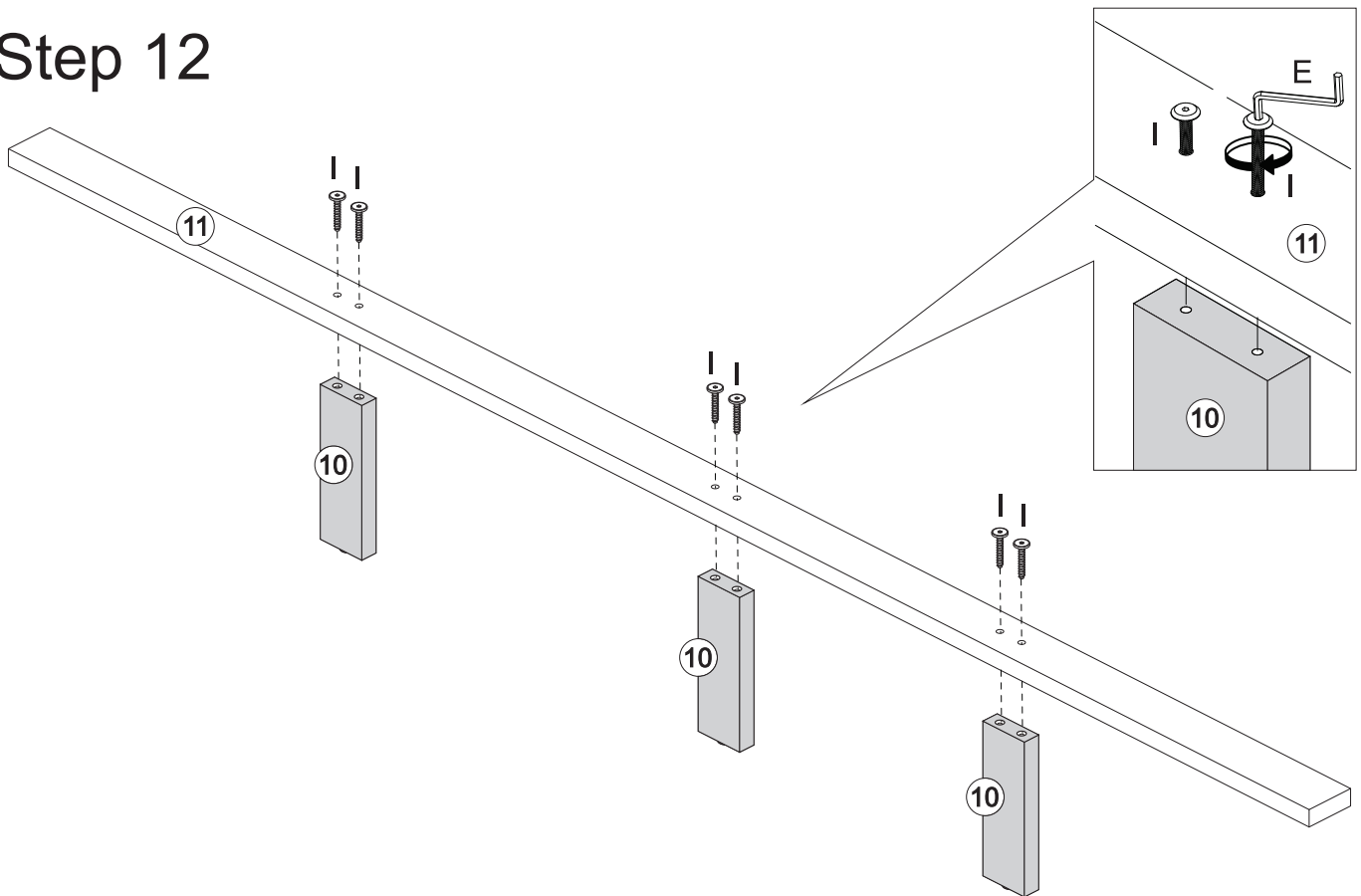
Step 11



Apply Plastic foot (H) on part 10, using a hammer.

H		03
---	--	----

Step 12

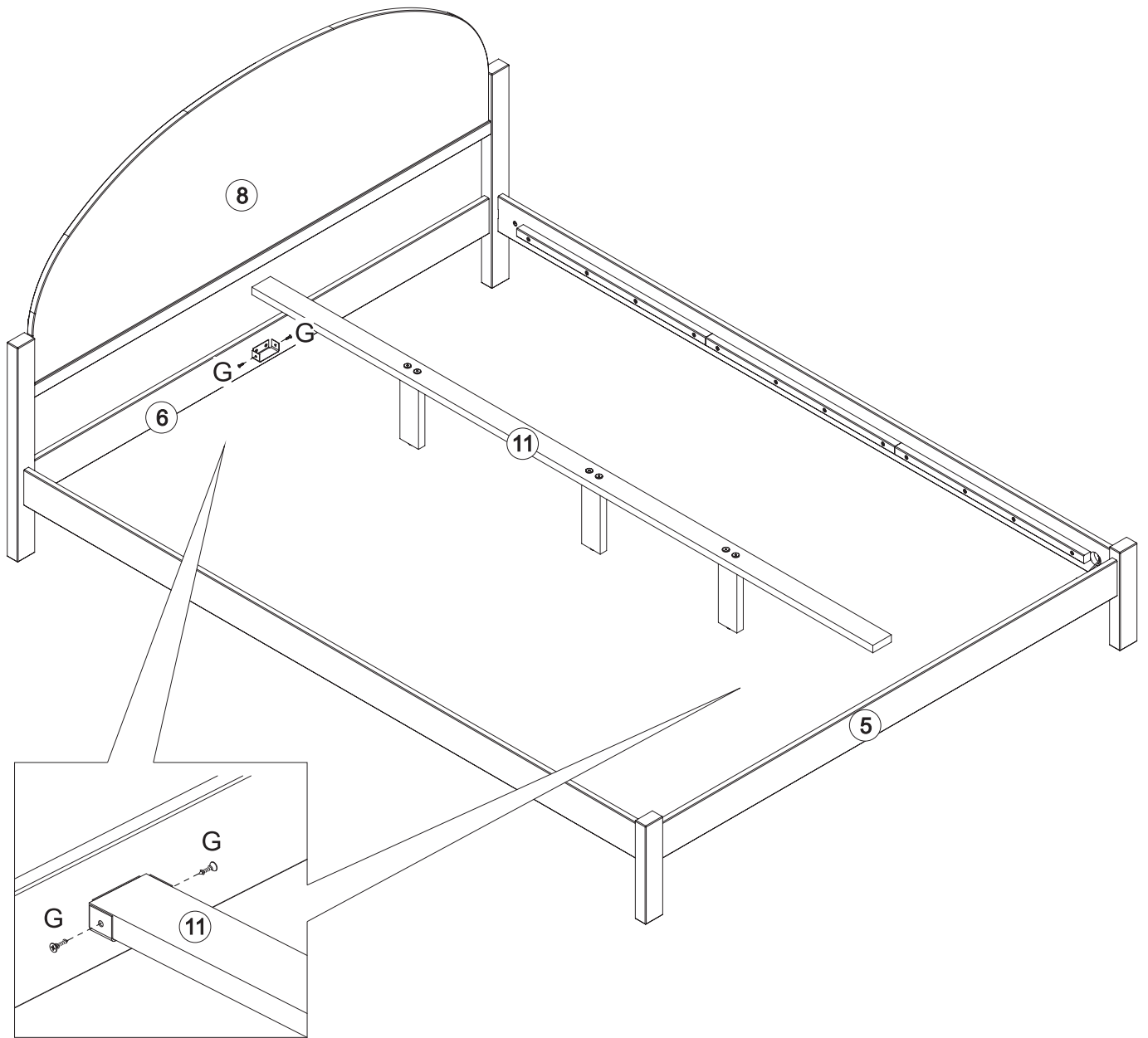


Attach parts 10 to part 11 with bolt (I) using hex key (E)

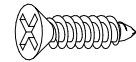
I		06
E		01

ø7,0**40mm

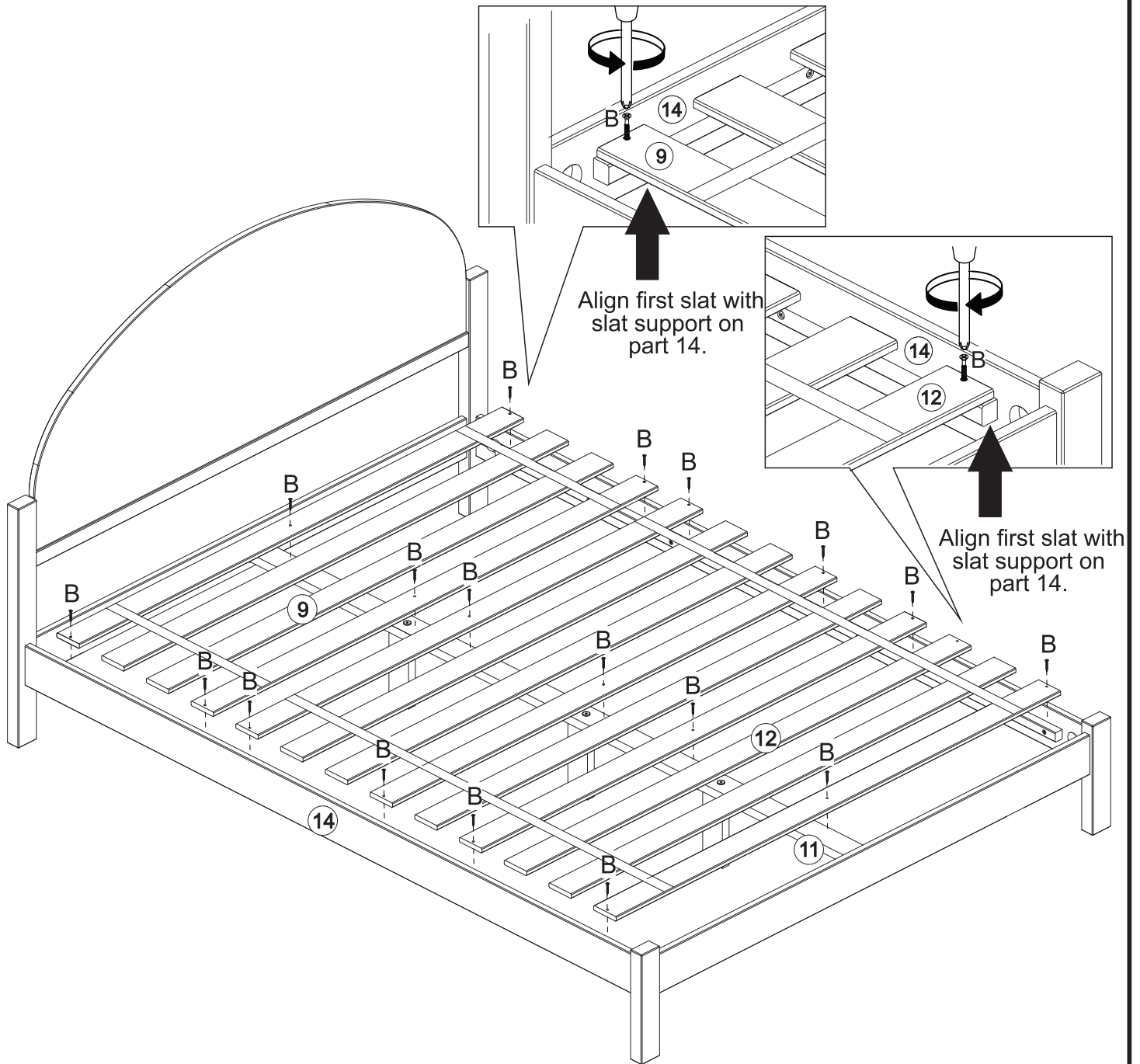
Step 13



Attach part 11 to supports with screw (G), using a Phillips head screwdriver.

G		04
		ø4.0**16mm

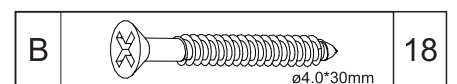
Step 14



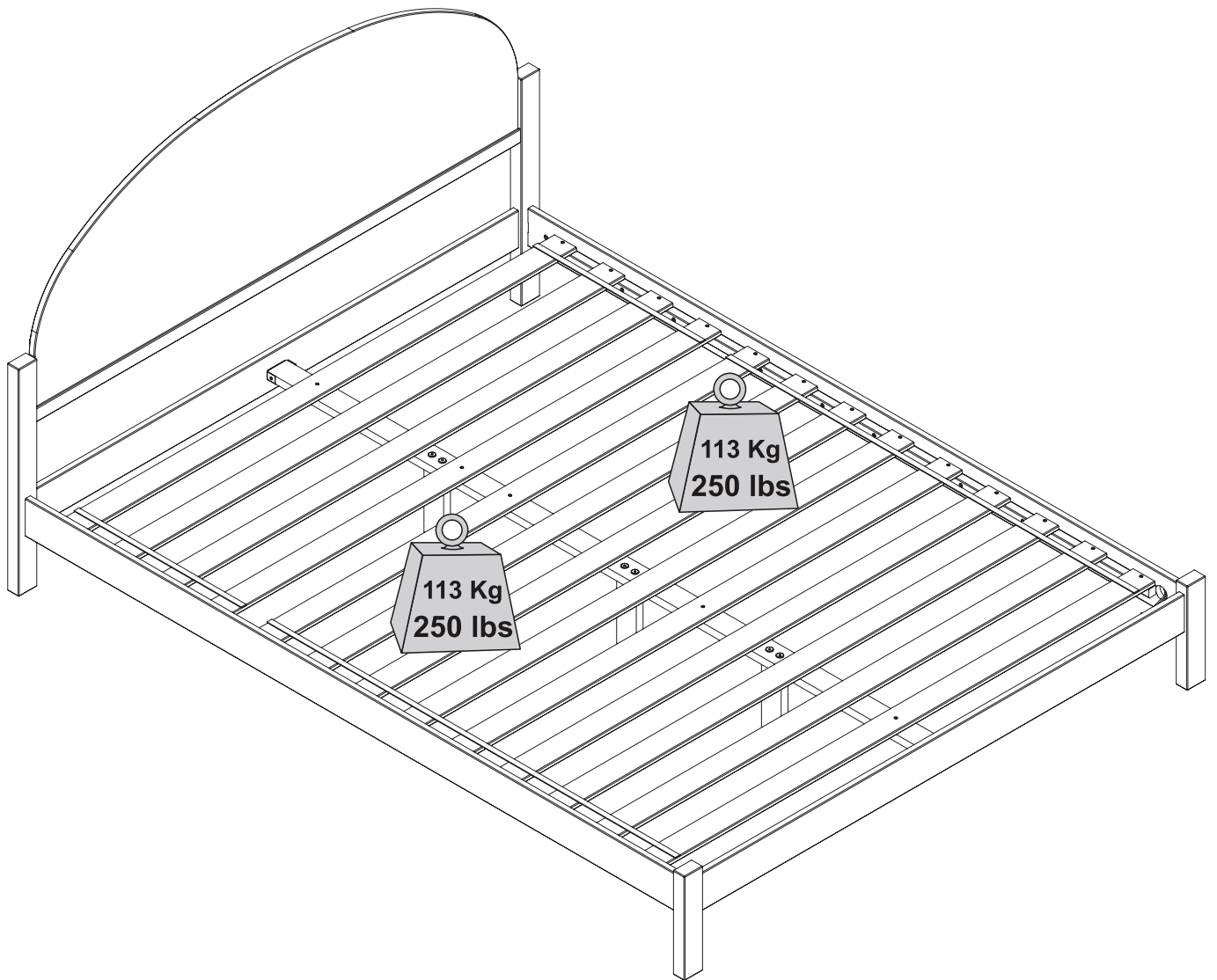
Align first slat with
slat support on
part 14.

Align first slat with
slat support on
part 14.

Join parts 9 and 12 to parts 11 and 14 with screw (B)
using a Phillips head screwdriver.



Step 15



Assembly Complete!

