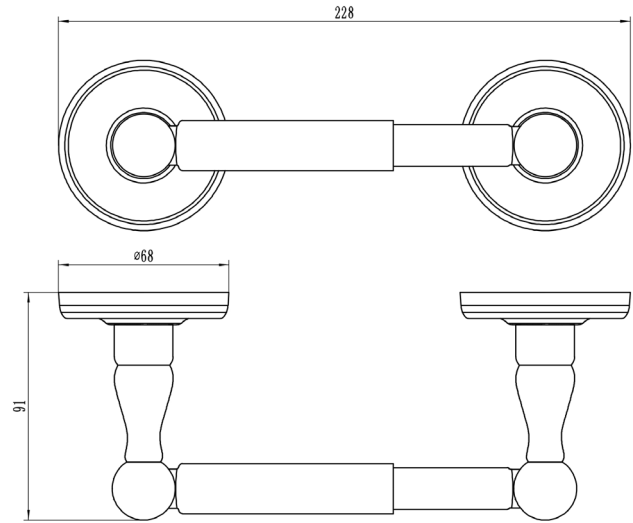


## San Martin Toilet Paper Holder Polished Chrome



mm

### SPECIFICATIONS

MATERIAL CONSTRUCTION:	Zinc
PVD FINISH:	No
ASSEMBLY REQUIRED:	Yes
TOOLS NEEDED FOR INSTALLATION:	Screwdriver
ASSEMBLED DIMENSIONS:	3.46" H x 8.58" L x 2.68" D
ASSEMBLED WEIGHT:	0.62 lbs.
MIN. LENGTH:	N/A
MAX LENGTH:	N/A
SCREWS INCLUDED:	Yes
DRYWALL ANCHORS INCLUDED:	Yes
CENTER TO CENTER:	N/A

WARRANTY:	1-Year limited warranty
LEGAL FOR SALE IN CALIFORNIA:	Yes
ADA COMPLIANT:	N/A



TYPE:  
JOB:  
ORDER CODE:  
APPROVALS: