

**CODE NUMBER**

3346051

**DESCRIPTION**

Optima® Deck-Mounted Liquid Soap Dispenser, Plug-In Transformer, Polished Chrome Finish

**DETAILS**

- Finish: Polished Chrome (CP)
- Power Type: Hardwired
- Height: 4 ¼" (108mm)
- Width: 1 ⅝" (46mm)
- Depth: 5 ⅜" (137mm)
- Maximum Deck Thickness: 2" (51mm)
- Sensor Type: IR
- Transformer: Plug-In (PLG)

**FEATURES**

Sensor Activated, Electronic, Chrome Plated Die Cast Body, Hand Washing Liquid Soap Dispenser with the following features:

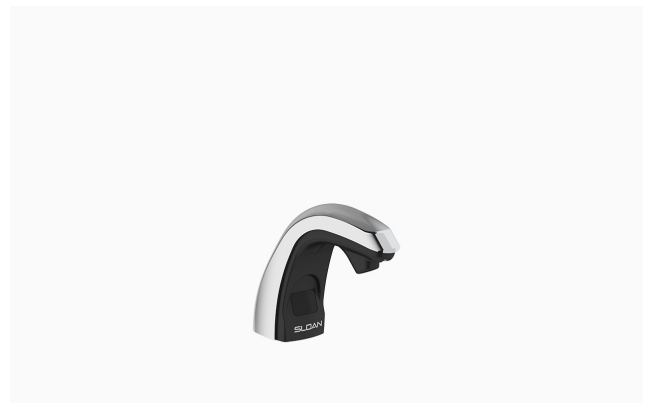
- Modular One-piece Construction and easily attaches to deck surface
- Active Infrared Sensor
- Low Soap Level Indicator
- 120 V AC Plug-in Adaptor
- One tool service
- Black Plastic Throat Plate
- All electronics sealed
- Unit supplied with one 800 ml. Container of Lotion Soap

**ELECTRICAL SPECIFICATIONS**

- AC Power Plug-In Only: Yes

**SOAP REFILLS**

- ESD-217 (800mL)
- ESD-232 (1600mL)
- ESD-231 (800mL)
- ESD-233 (1600mL)

**COMPLIANCES & CERTIFICATIONS**

(ADA Compliant, WELL Building Standard)

**RECOMMENDED SPECIFICATION**

Sloan Optima Liquid Soap Dispenser model number ESD-200. Chrome plated finish with black plastic throat plate.

**DOWNLOADS**

- [ESD 200/250/300/350 Installation Instructions](#)
- [ESD-200/250/300/350 Repair and Maintenance Guide](#)
- [Additional Downloads](#)

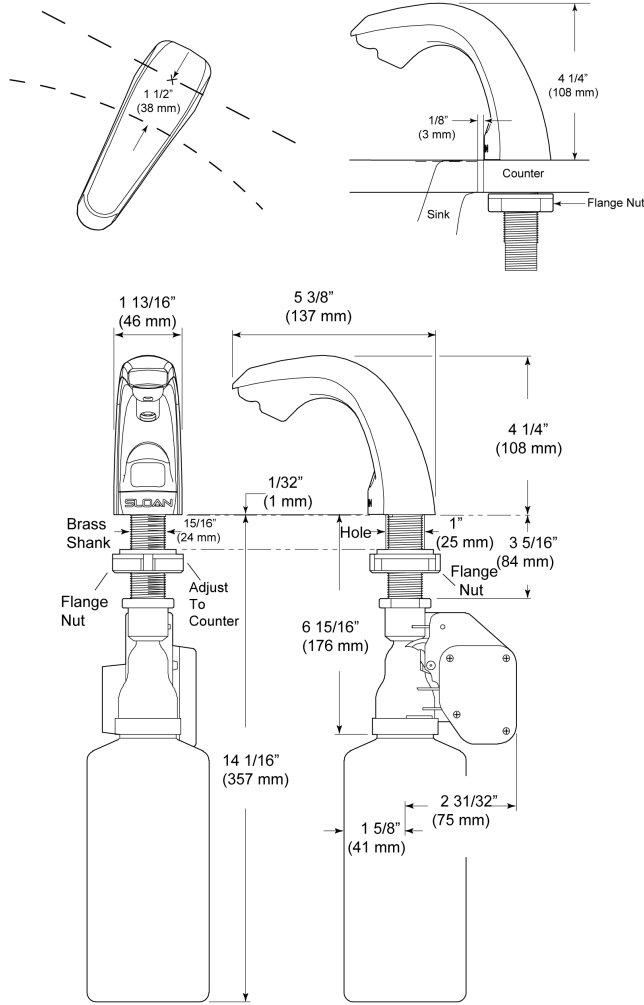
**NOTES**

All information contained within this document subject to change without notice.


**WARRANTY**

[View Warranty Information](#)

**ROUGH-IN**



**MATCHING FAUCETS**

Name	Description	<a href="#">View more info</a>
	ETF-80 Optima <sup>®</sup> Hardwired-Powered Deck-Mounted Mid Body	<a href="#">View more info</a>