








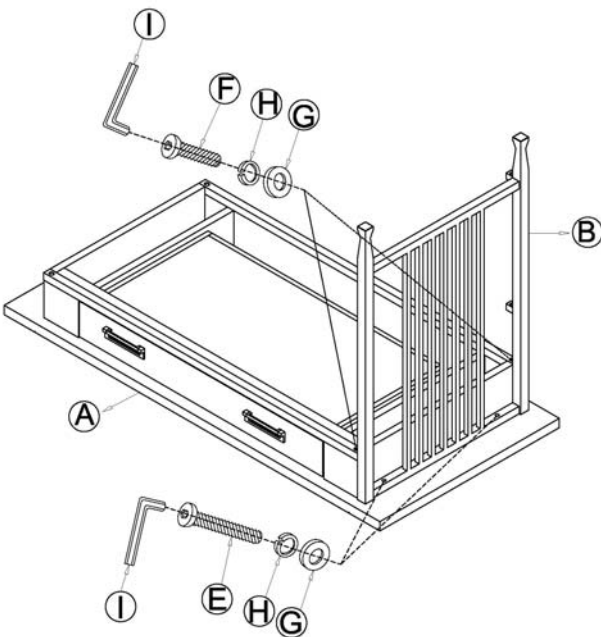


Assembly Instructions, #11200 Ironcraft Computer Desk

A: Top Panel	
B: Left Side Frame	
C: Right Side Frame	
D: (2) Metal Rails	
E: (4) Long Bolts	
F: (8) Short Bolts	
G : (12) Flat Washers	
H: (12) Lock Washers	
I : Allen Wrench	

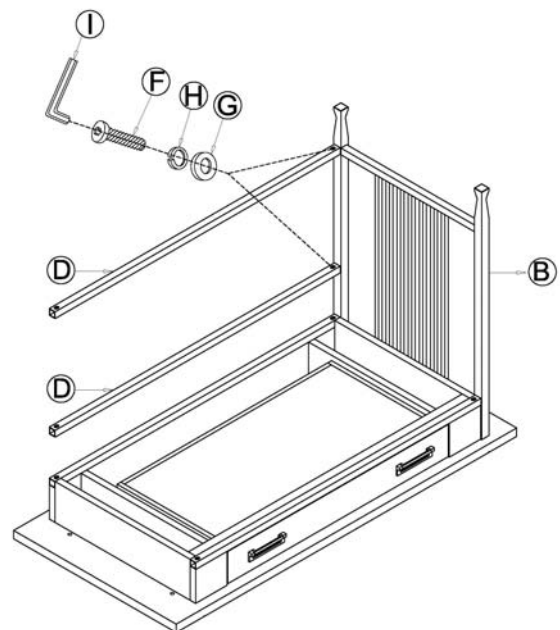
Step 1

Place the top upside down on a soft surface. Insert one leg frame into the top assembly tubes, fasten with two long bolts on the side and two short bolts on the ends. Do not tighten.



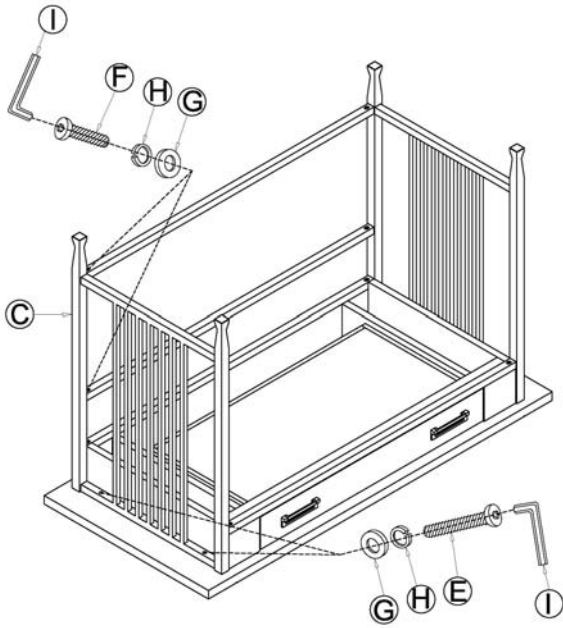
Step 2

Insert the metal rails into the leg frame, fasten with two short bolts. Do not tighten.

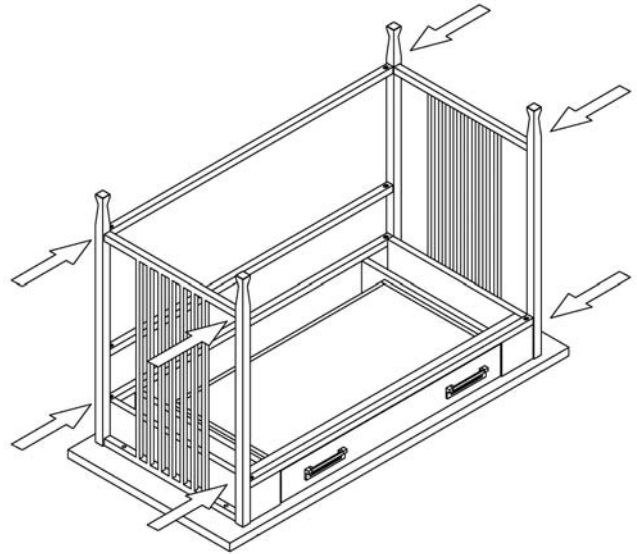


Step 3

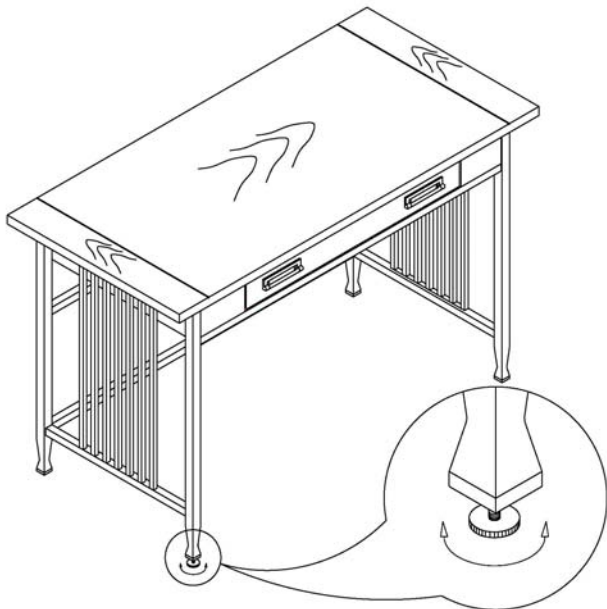
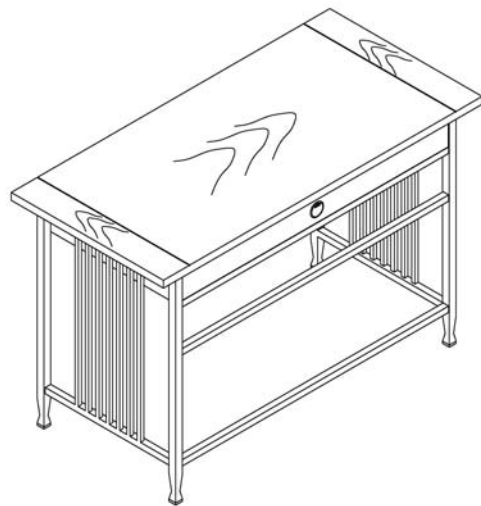
Do the same things on the other leg frame as in step 1 and step 2.

**Step 4**

Push leg frames onto the desk, make sure there is no gap when you tighten the bolts.

**Step 5**

Adjust levelers on the bottom of leg frames if needed.

**Step 6**

Wire management hole on back of desk: pull the disk out, run wires, and snap disk back in place.

