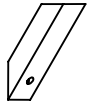


# IMPORTANT!

## Addendum to PG101 manual

**Page 7:** Manual shows part #28 as having a quantity of 20, but the correct count should be 18 pieces.

**Page 8:** Part #62 (Angle Brace) is not listed.



#62  
ANGLE BRACE  
PG-44-0018  
QTY. (4)

**Page 13:**

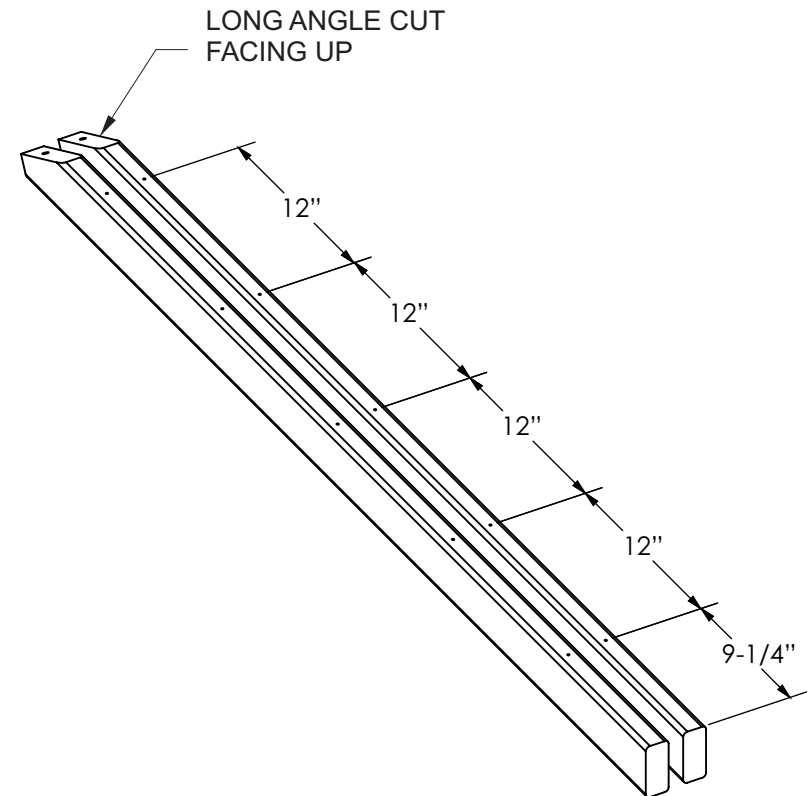
A: Manual refers to part #59 (Angle Brace), but the correct number for the Angle Brace is #62.  
B: The following step should be added "Step 3. Install #62 Angle Braces with #53 Lag Screw and #47 Flat Washer as shown."

**Page 14:** Illustration incorrectly shows #03 & #04 Deck Fascias to be flush with top of #62 Angle Brace. When installed at 58", as shown, Deck Fascias should be 5/8" above top of Angle Brace #03 & #04.

**Page 15:**

A: Note should read "If installing Enclosure skip pages 15 & 16".  
B: When installing parts #08, use illustration on the front cover to see proper orientation.

**Page 18:** Lay Ladder Rails (PG-24-0012) side by side. Mark and drill five 1/8" diameter holes along the center of each rail at locations shown. Holes should be approximately 1/4" deep.



**Page 20:** Under "Parts Needed" Deck Board Long should be listed as #12 not #15.

# IMPORTANT!

## Addendum to PG101 manual

**Page 23:** #64 Long Panel Slat should not be installed in center as instructed in the manual. Install Panel #64 as shown below in this addendum. Slats should be spaced at  $2 \frac{3}{16}$ " apart.

**Page 33:** In illustrations part #68 should be #66 and part #76 should be #68.

**Page 35:** Step 1 fails to mention that part #73 should be placed in between parts #10 and #79. Secure part #73 with hardware items #48 and #47.

