



Item No: TD-11593S-A

Fantasy Fields - Pirate Island Table & Set of 2 Chairs -A

WARNING

Small parts and sharp points may be present prior to assembly.

CARE INSTRUCTIONS

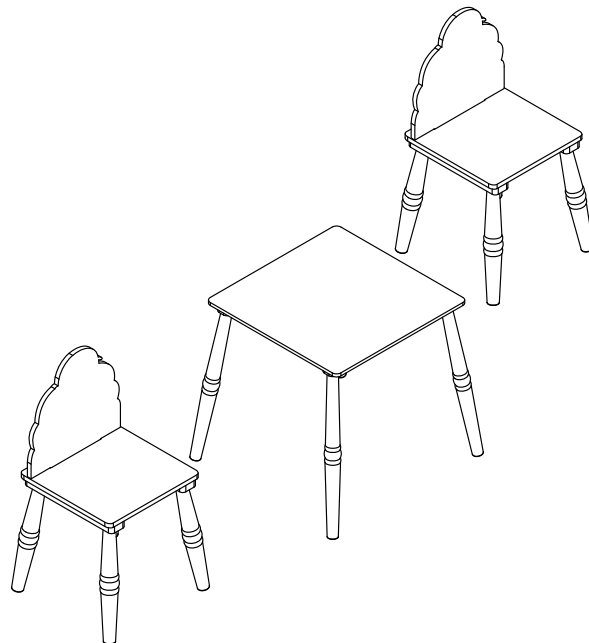
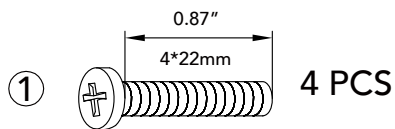
To clean your product, use mild soap and water on a damp cloth. Do not use window cleaners or cleaning abrasives as they will scratch the surface and could damage the protective coating.

CUSTOMER SERVICE

For questions regarding this product, or to receive replacement or missing parts, please contact customer service based on your location. Please have ready the model number and part number(s) located in this assembly instruction sheet when you contact us.

Made in China

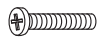
HARDWARE

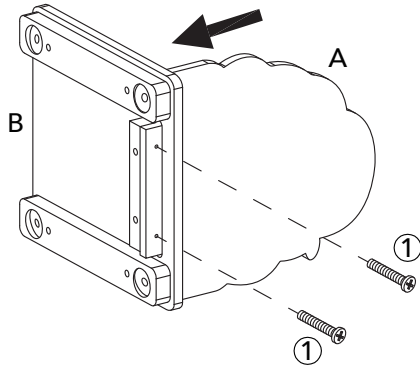


PRODUCT PARTS

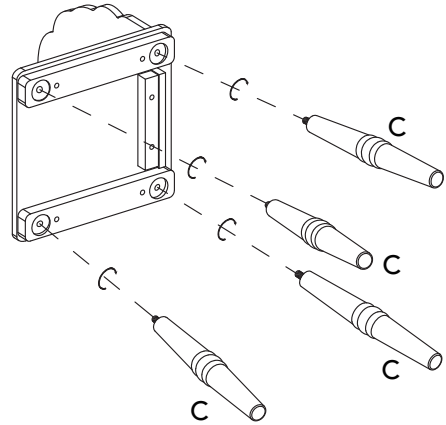
A	B	C	D	E	F
1PC	2PCS	8PCS	1PC	1PC	4PCS

STEP1

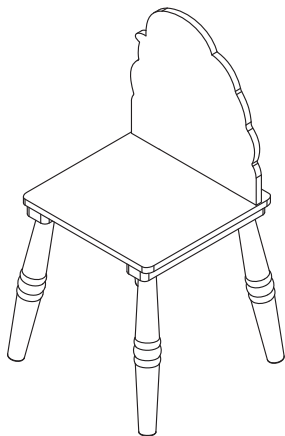
①  2PCS
4*22mm



STEP2

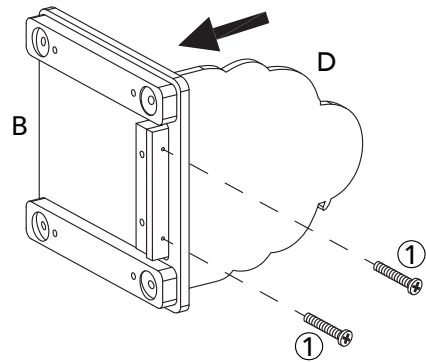


STEP3

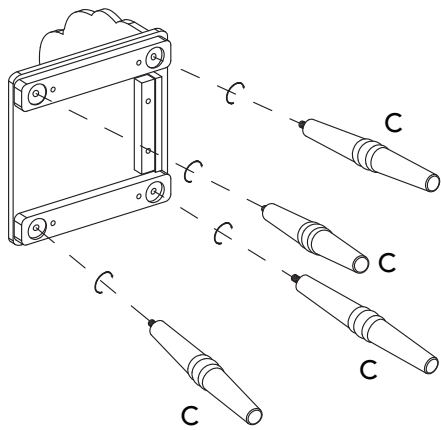


STEP4

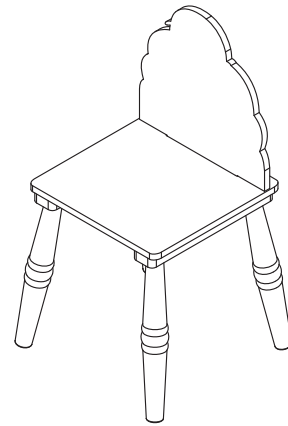
①  2PCS
4*22mm



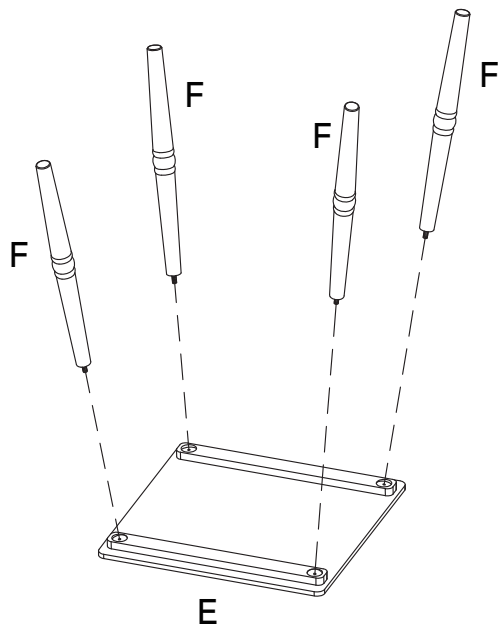
STEP5



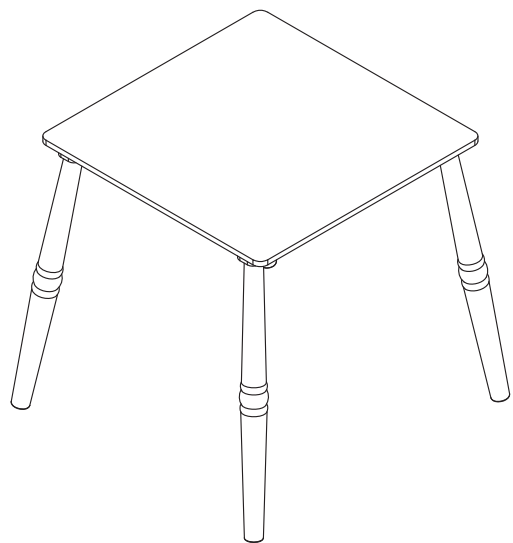
STEP6



STEP7



STEP7



STEP8

