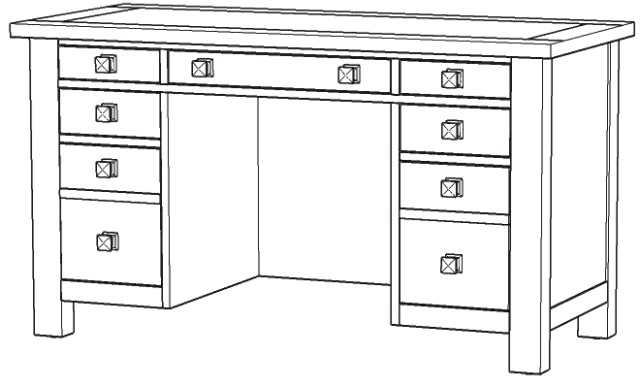


Pedestal Desk



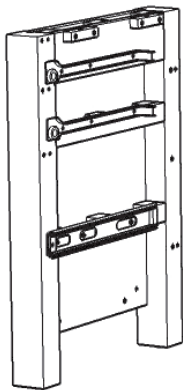
**IMPORTANT**

Carefully remove all the parts from the carton and place them individually on a soft cloth to prevent scratches or other damage.

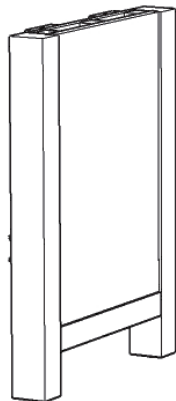
Carefully and strictly follow these assembly instructions to ensure a completed product as designed.

Do not use power tools above 8 volts to assemble.

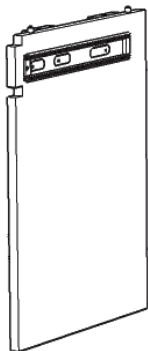
**Part List**



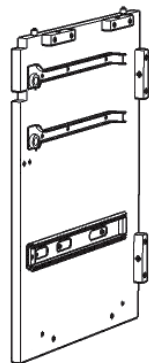
B. Side Panel  
1 pc.



C. Side Panel  
1 pc.

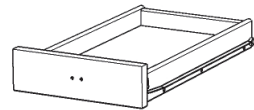


D. Middle Panel  
1 pc.

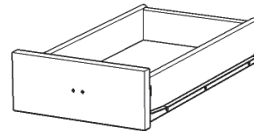


E. Middle Panel  
1 pc.

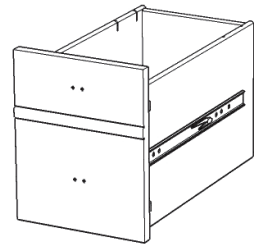
K. Drawer  
2 pcs.



L. Drawer  
2 pcs.



M. Drawer  
2 pcs.



Refer to the last page(s) of these instructions for drawer assembly.

P. Metal Strip  
4 pcs.



**Hardware List**



Hex Wrench  
1 pc.

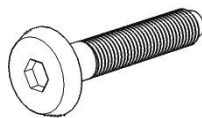
Small Hex Wrench  
1 pc.



Cam Lock  
8 pcs. (+2 extra)



Cam Lock Screw  
8 pcs. (+1 extra)



M6x35 Head Cap Bolt  
29 pcs. (+1 extra)



M3x15 Wood Screw  
6 pcs. (+1 extra)



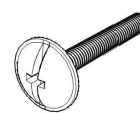
Flat Washer  
29 pcs. (+1 extra)



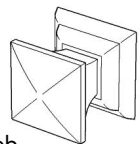
Spring Washer  
29 pcs. (+1 extra)



M4x19 Machine Screw  
16 pcs.



M4x25 Machine Screw (long)  
4 pcs.



Knob  
10 pcs.

**Carton 88 5412 181 is also needed for assembly.**

Tool(s) required for assembly: Phillips screwdriver, Level

Home Styles Customer Service: [www.homestyles-furniture.com](http://www.homestyles-furniture.com),  
 servicedesk@homestyles-furniture.com, 888-680-7460, 877-831-0319

## Assembly Instructions 2/7

### IMPORTANT

- Use a soft cloth between these parts and the floor.
- Do not use power tools above 8 volts to assemble.
- Do not tighten all the bolts until each part is properly assembled.
- The unit must be level to work properly. Use the included adjustable levelers to level.
- Keep Hex Wrench in a safe place as the bolts may need to be tightened up in the future.

### STEP 1

Insert Cam Lock Screws into the pre-drilled holes of Side Panels (B), (C) and Middle Panels (D), (E). (See Figure 1)

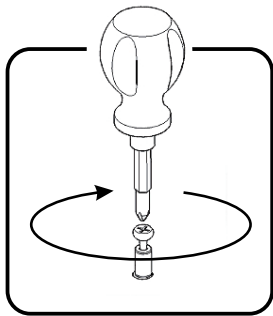
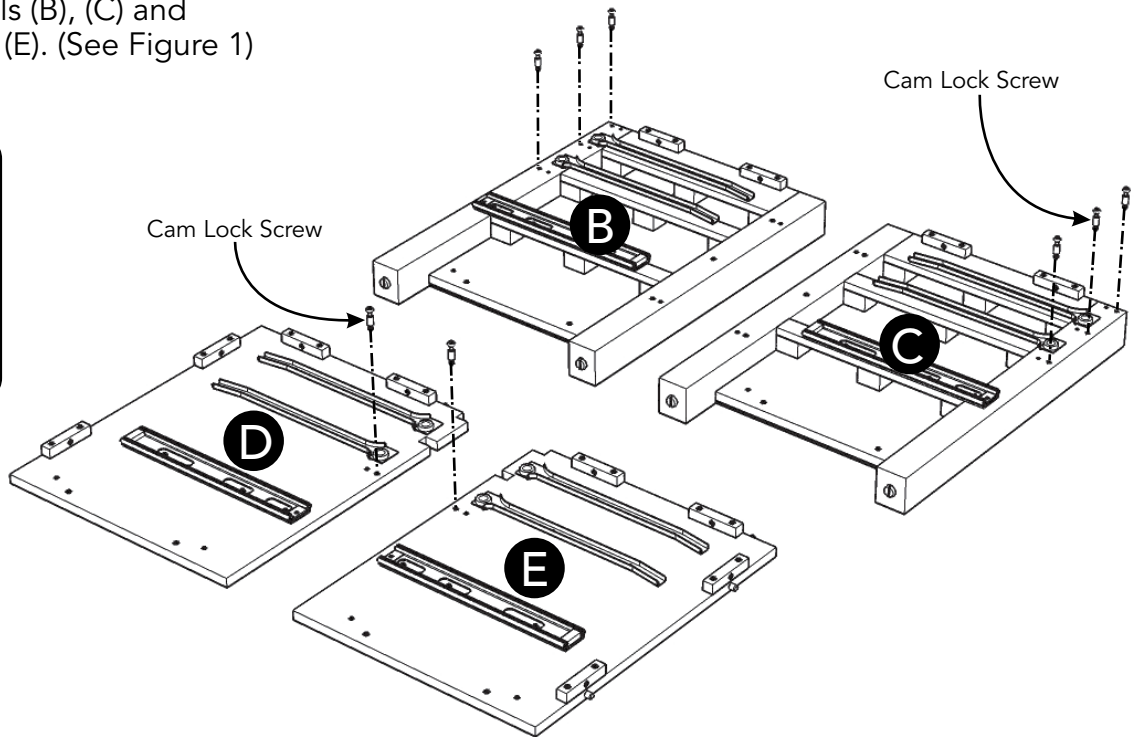
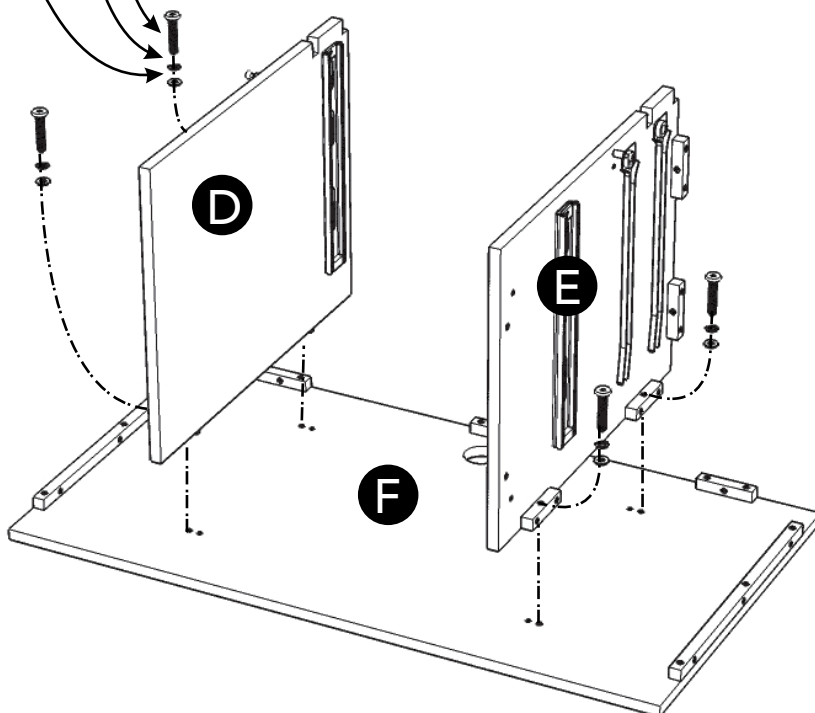


Figure 1



Head Cap Bolt  
Spring Washer  
Flat Washer



### STEP 2

Attach Middle Panels (D) and (E) to Back Panel (F) with Flat Washers, Spring Washers and Head Cap Bolts. (See Figure 2)

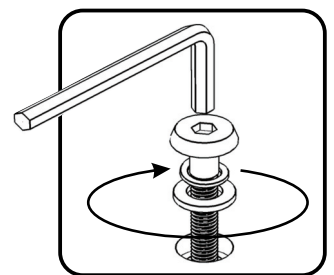


Figure 2

# Assembly Instructions 3/7

## STEP 3

Place Top (A) upside down on a soft cloth.

Attach unit to Top (A) with Flat Washers, Spring Washers and Head Cap Bolts.

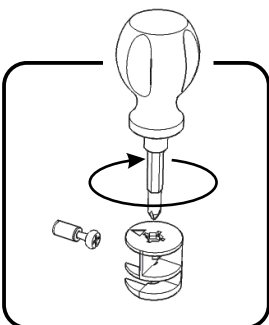
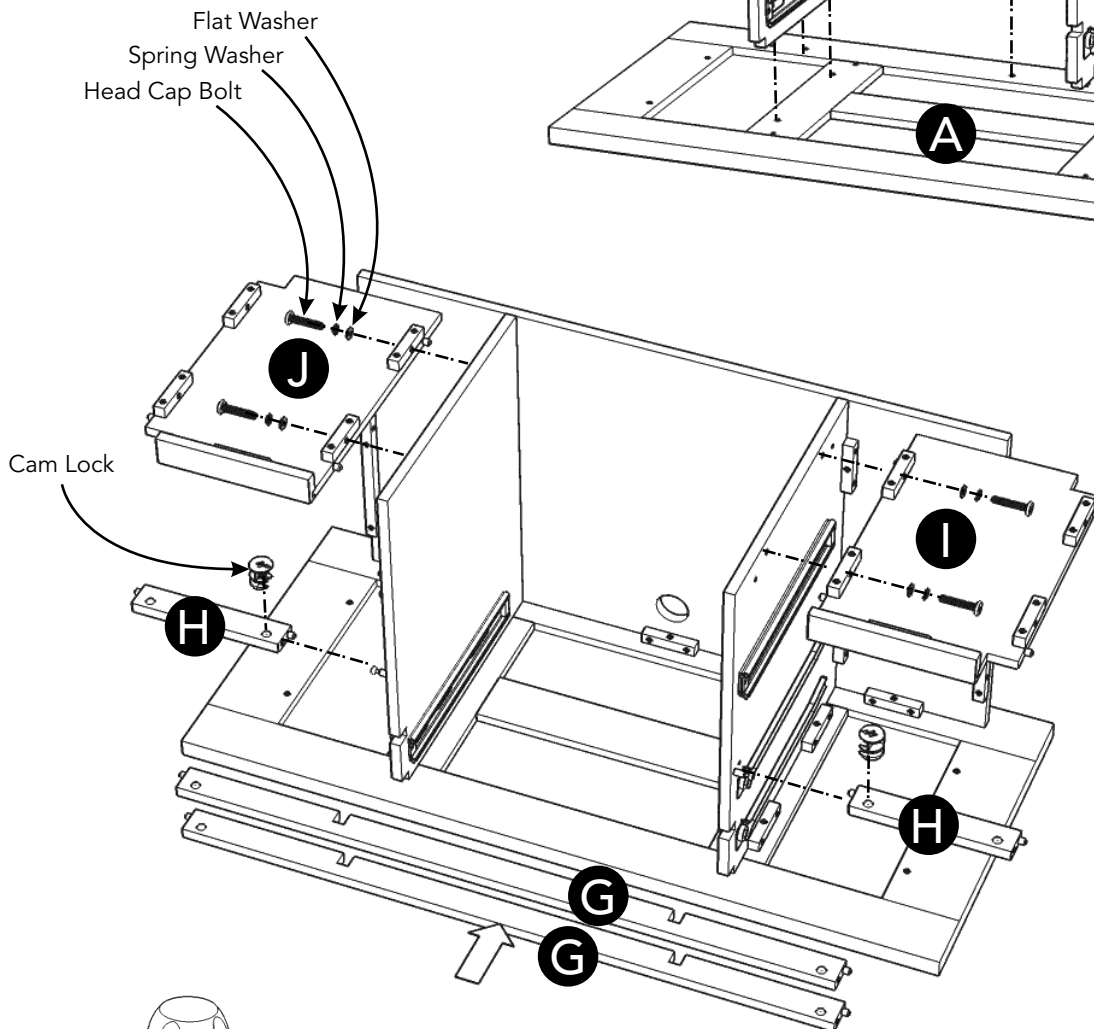
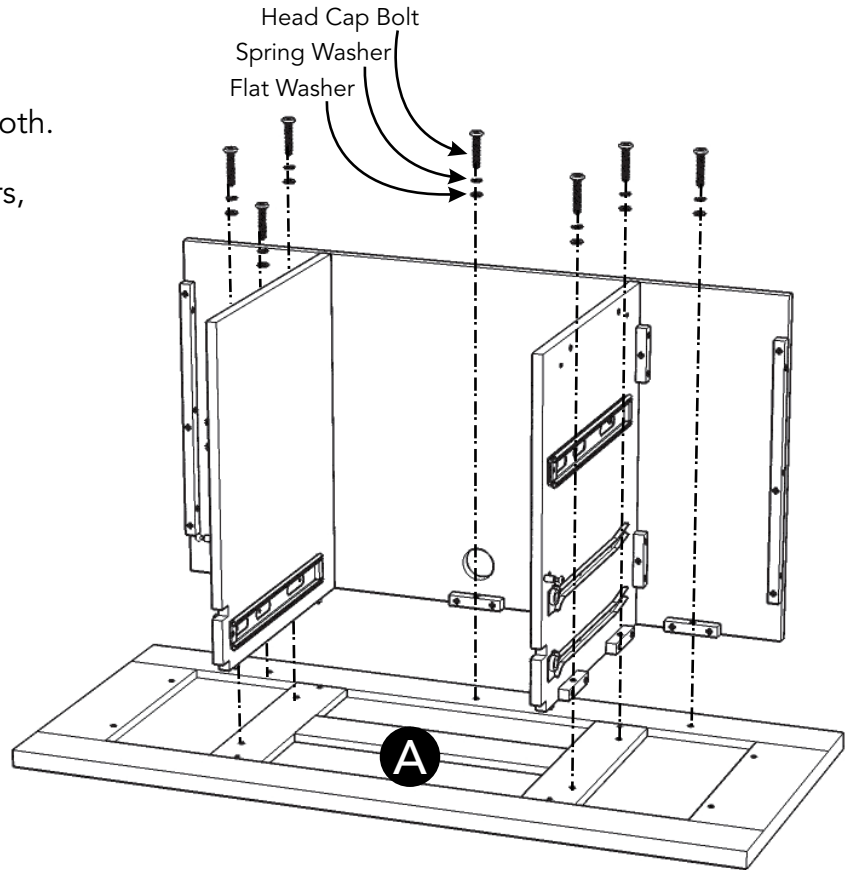


Figure 3

## STEP 4

Attach Bases (I) and (J) to unit with Flat Washers, Spring Washers and Head Cap Bolts.

Attach Stretchers (H) to unit with Cam Locks. (See Figure 3)

Attach Stretchers (G) to unit.

# Assembly Instructions 4/7

## STEP 5

Attach Side Panels (B) and (C) to unit with Flat Washers, Spring Washers, Head Cap Bolts and Cam Locks. (See Figure 4)

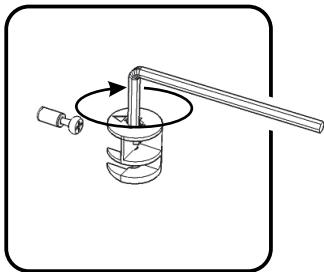


Figure 4

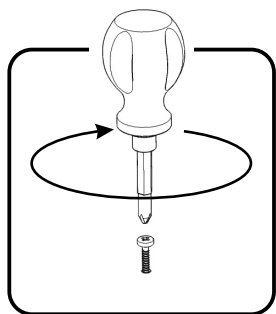
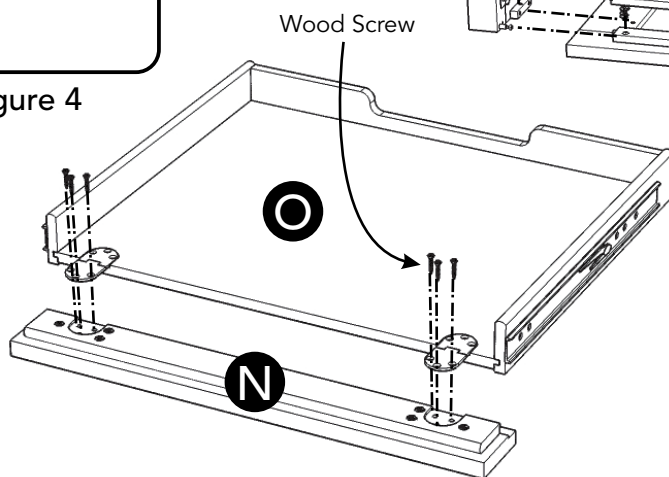


Figure 5

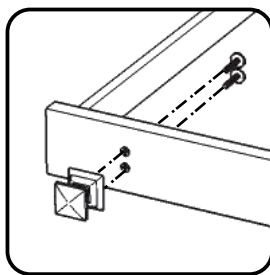
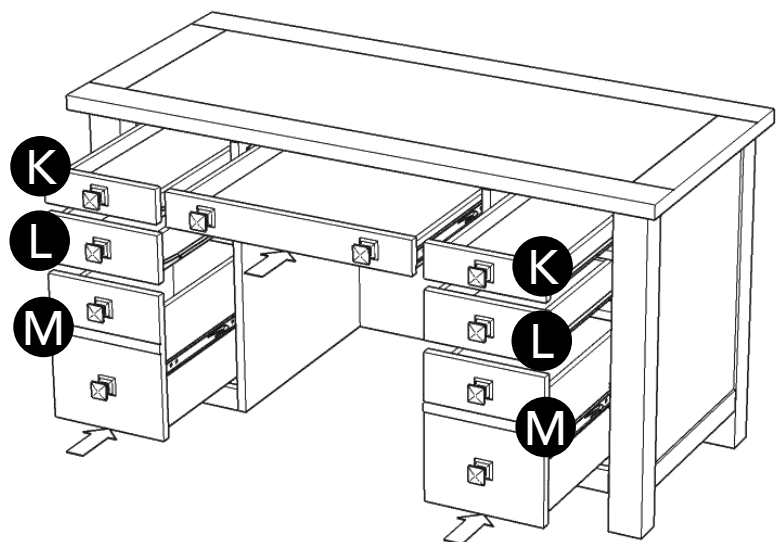


Figure 6

## STEP 6

Attach Keyboard Front (N) to Keyboard (O) with Wood Screws. (See Figure 5)

Attach Knobs to Keyboard Front (N) with Machine Screws (long). (See Figure 6)



## STEP 7

Turn unit from Step 5 over to its' upright position.

Level unit by adjusting the adjustable levelers on the bottom of legs. (See Figure 7)

Slide Drawers (K), (L), (M) and Keyboard into position.

Note: To remove Drawers (M) and Keyboard in the future, push the plastic lever on the left side up, push the plastic lever on the right side down and pull open slowly. (See Figures 8 and 9)

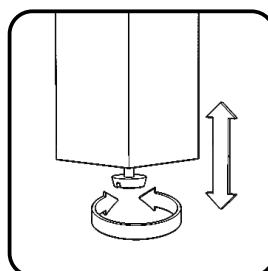


Figure 7

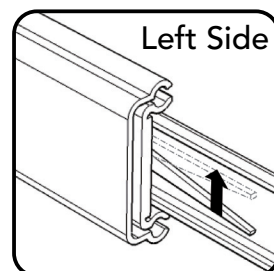


Figure 8

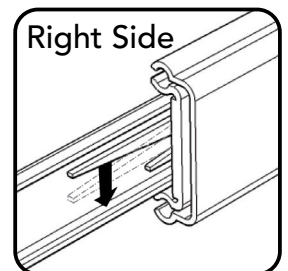
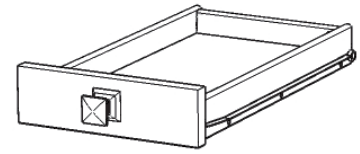


Figure 9

# Assembly Instructions 5/7

## Drawer (K)



### STEP 1

Attach Drawer Sides (K3) and (K4) to Drawer Back (K2), then flip the locks. (See Figures 1 and 2)

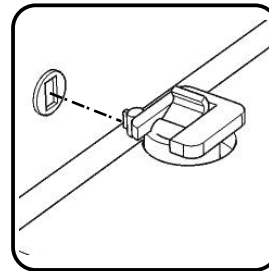
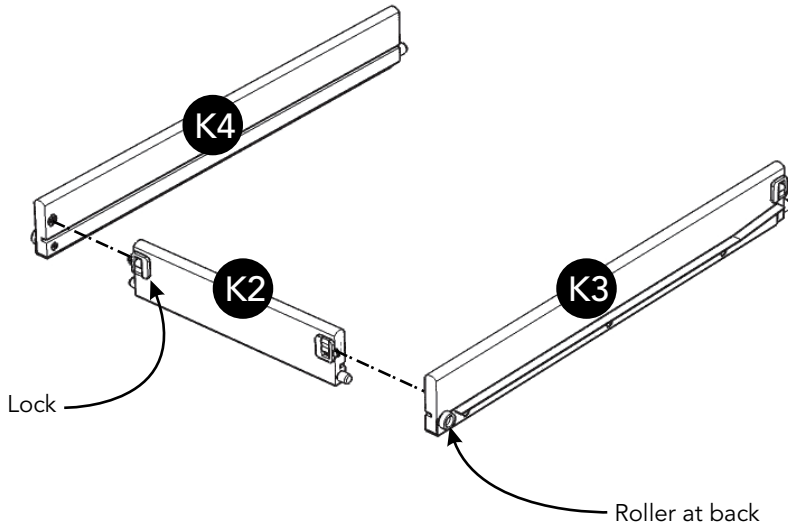


Figure 1

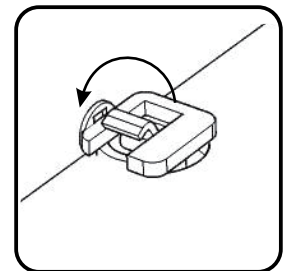
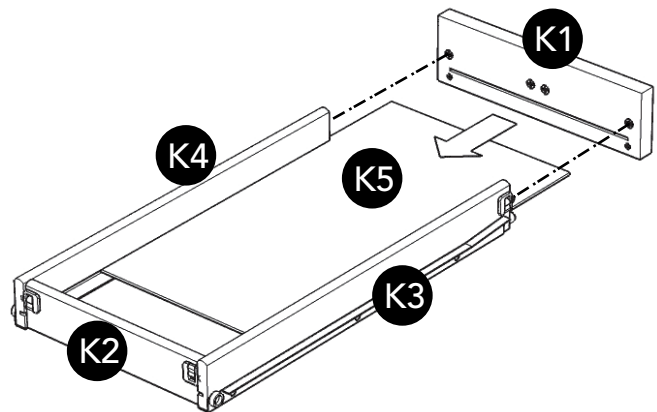


Figure 2

### STEP 2

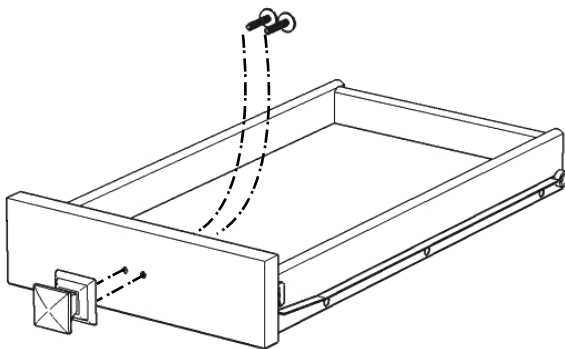
Slide Drawer Bottom (K5) into the grooves of Drawer Sides (K3) and (K4) until it meets Drawer Back (K2).

Attach Drawer Front (K1) to unit, then flip the locks.

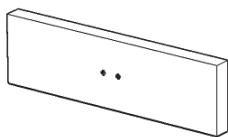


### STEP 3

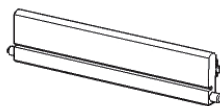
Attach Knob with Machine Screws.



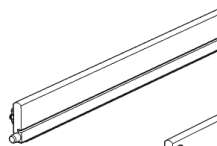
## Part List



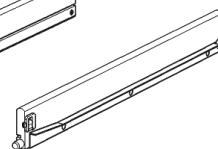
K1.  
Drawer Front  
2 pcs.



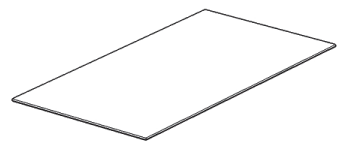
K2.  
Drawer Back  
2 pcs.



K3.  
Drawer Side  
2 pcs.



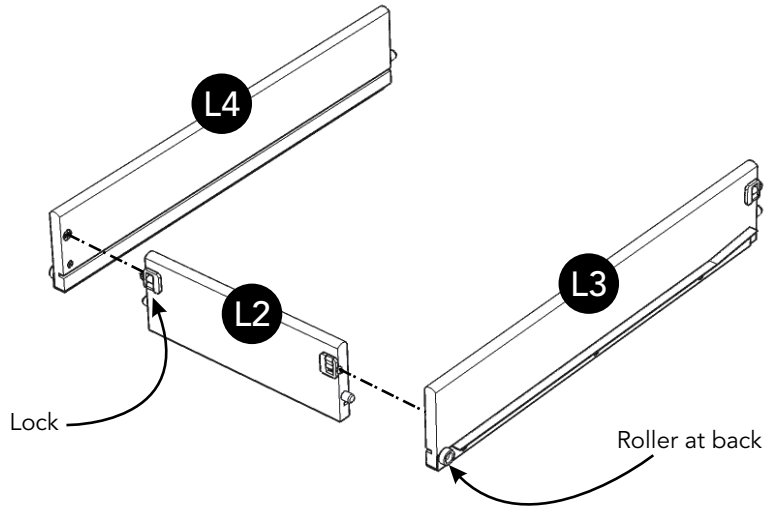
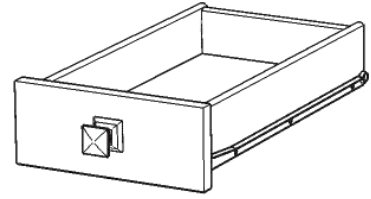
K4.  
Drawer Side  
2 pcs.



K5.  
Drawer Bottom  
2 pcs.

# Assembly Instructions 6/7

## Drawer (L)



### STEP 1

Attach Drawer Sides (L3) and (L4) to Drawer Back (L2), then flip the locks. (See Figures 1 and 2)

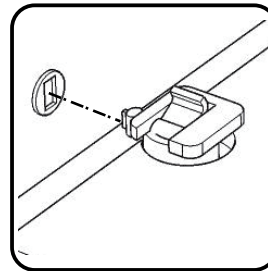


Figure 1

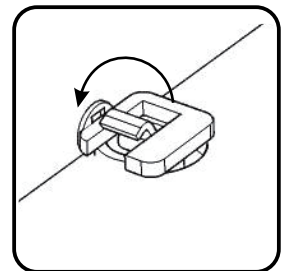
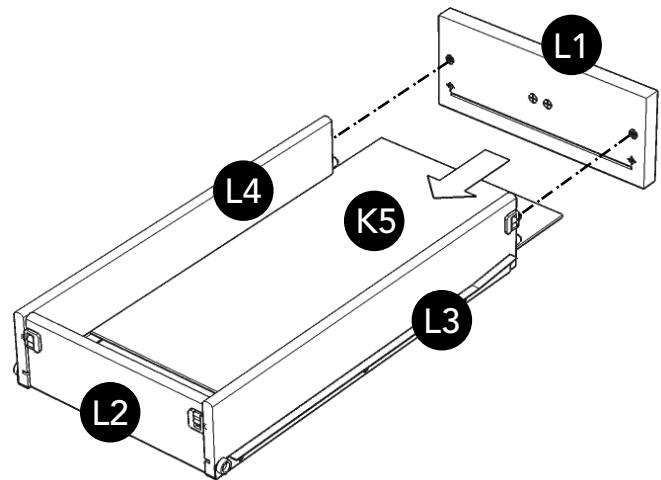
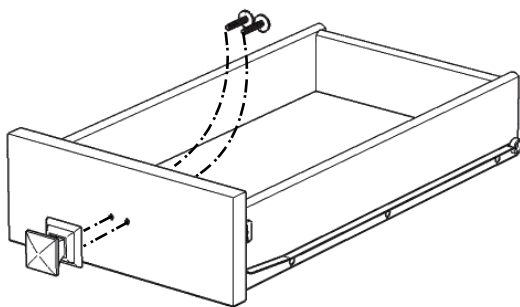


Figure 2

### STEP 2

Slide Drawer Bottom (K5) into the grooves of Drawer Sides L3) and (L4) until it meets Drawer Back (L2).

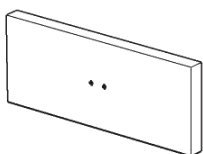
Attach Drawer Front (L1) to unit, then flip the locks.



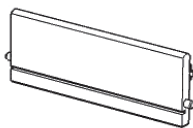
### STEP 3

Attach Knob with Machine Screws.

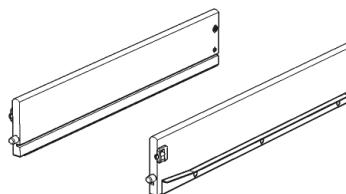
## Part List



L1.  
Drawer Front  
2 pcs.

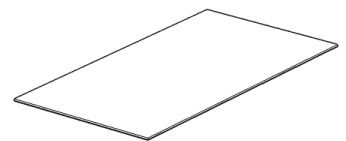


L2.  
Drawer Back  
2 pcs.



L3.  
Drawer Side  
2 pcs.

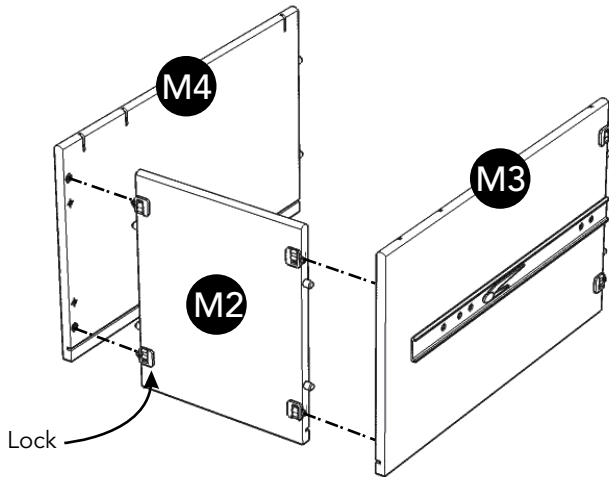
L4.  
Drawer Side  
2 pcs.



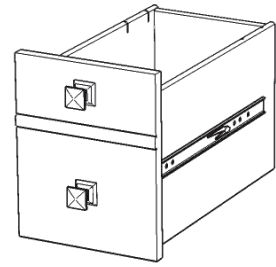
K5.  
Drawer Bottom  
2 pcs.

# Assembly Instructions 7/7

## Drawer (M)



### STEP 1



Attach Drawer Sides (M3) and (M4) to Drawer Back (M2), then flip the locks. (See Figures 1 and 2)

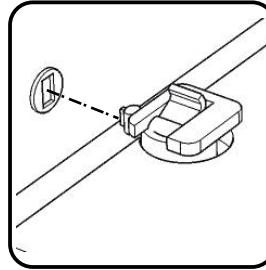


Figure 1

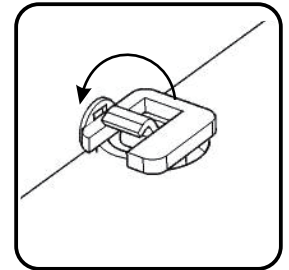
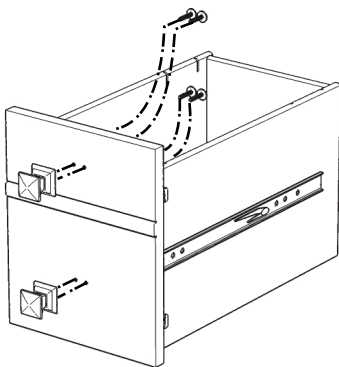


Figure 2

### STEP 2

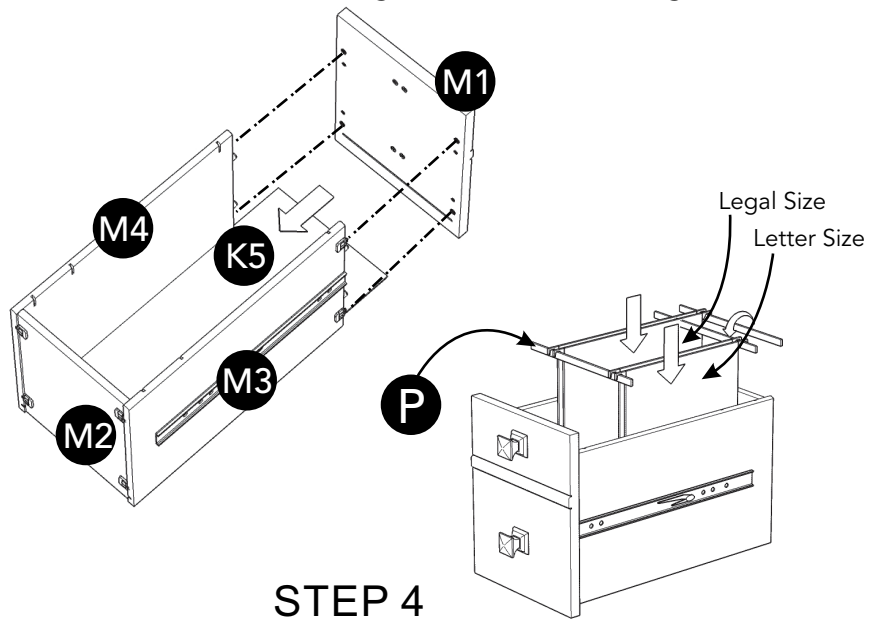
Slide Drawer Bottom (K5) into the grooves of Drawer Sides (M3) and (M4) until it meets Drawer Back (M2).

Attach Drawer Front (M1) to unit, then flip the locks.



### STEP 3

Attach Knobs with Machine Screws.

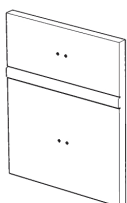


### STEP 4

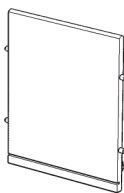
Place Metal Strips (P) into position.

The Metal strip can be adjusted for letter size or legal size files as shown.

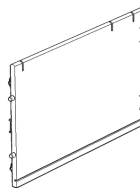
## Part List



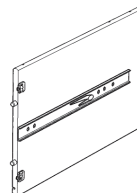
M1.  
Drawer Front  
2 pcs.



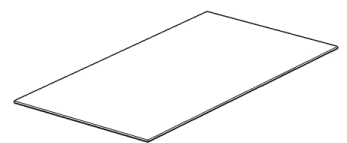
M2.  
Drawer Back  
2 pcs.



M3.  
Drawer Side  
2 pcs.



M4.  
Drawer Side  
2 pcs.



K5.  
Drawer Bottom  
2 pcs.

# CARE INSTRUCTIONS

## NEVER

allow liquids to remain on furniture.  
Absorption causes parts to warp  
and split and finishes to delaminate.

## NEVER

use glass cleaners on  
finished furniture. Ammonia  
chemically attacks the finish.



Do not use power tools  
above 8 volts to assemble.

**PREVENT  
CRACKING**



Do not place  
in direct sunlight.

**PREVENT  
FADING**



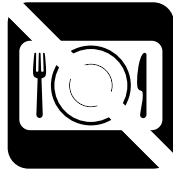
Do not write  
directly on surface.

**PREVENT  
MARKING**



Do not place hot  
objects on surface.

**PREVENT  
FINISH DAMAGE**



Do not use rubber  
based placemats.

**PREVENT  
DISCOLORING**



Do not use commercial  
waxes and polishes.

**PREVENT  
YELLOWING**

## CLEAN

with a soft cloth moistened  
in lukewarm soap and water.  
Buff with a dry clean cloth.



Home Styles will provide replacements free of charge for missing or damaged hardware or parts within 30 days of purchase. Digital images of the defective parts may be required. If the product was not purchased from an authorized retail affiliate, Home Styles is under no obligation to provide replacement parts. Parts are not available for fully assembled items nor are parts available for sale. Replacements for missing or damaged hardware or parts may be requested at:

[www.homestyles-furniture.com/customer-service/replacement-parts](http://www.homestyles-furniture.com/customer-service/replacement-parts)

Home Styles Customer Service: [www.homestyles-furniture.com](http://www.homestyles-furniture.com),  
[servicedesk@homestyles-furniture.com](mailto:servicedesk@homestyles-furniture.com), 888-680-7460, 877-831-0319