

SCHOOLHOUSE

Newbury 2.25", Metal Bell Shade

Application: Surface Mount

Product Origin: Processed and assembled in Portland, Oregon using ethically-sourced domestic and global components.

UL Listed: Yes

Max Wattage: 100 W

Voltage: 120/220 V

Location Rating: Damp

Dimensions:

Overall: 8.125" H x 7" W x 7" D

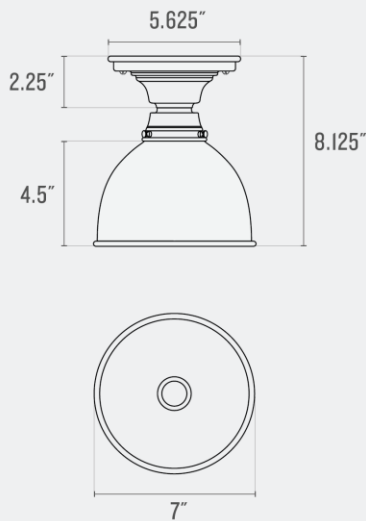
Shade: 4.5" H x 7" W x 7" D

Canopy: 2.25" H x 5.625" W x 5.625" D

Fitter Size: 2.25"

Materials: Brass, Steel

One year guarantee



Finish Option(s)



Polished Nickel (PN)



True Black (TB)



Satin Nickel (SN)



Persimmon (RD)



Sergeant Green (SG)



Natural Brass (NB)



Satin Nickel (SN)



Navy (NV)



Natural Brass (NB)



White (WT)



Polished Nickel (PN)



True Black (TB)



Black, Gloss (BkG)

SCHOOLHOUSE

Newbury 2.25", Metal Dish Shade

Application: Surface Mount

Product Origin: Processed and assembled in Portland, Oregon using ethically-sourced domestic and global components.

UL Listed: Yes

Max Wattage: 100 W

Voltage: 120/220 V

Location Rating: Damp

Dimensions:

Overall: 5" H x 10" W x 10" D

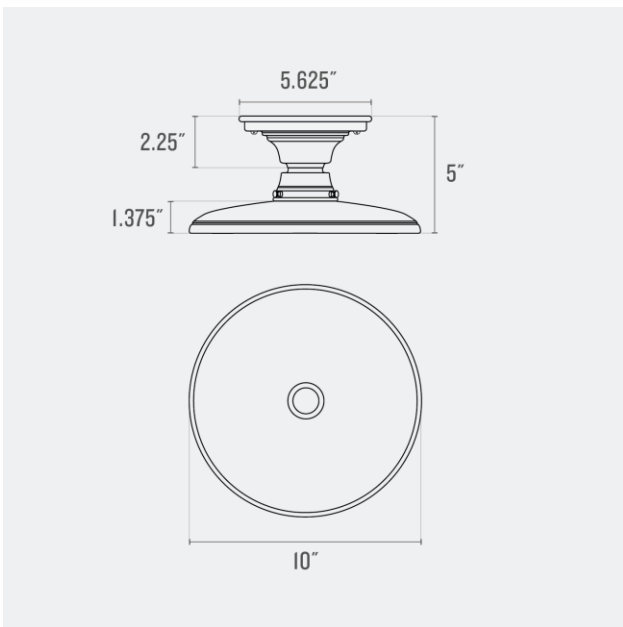
Shade: 1.375" H x 10" W x 10" D

Canopy: 2.25" H x 5.625" W x 5.625" D

Fitter Size: 2.25"

Materials: Brass, Steel

One year guarantee



Finish Option(s)



Natural Brass
(NB)



Satin Nickel
(SN)



Polished Nickel
(PN)



True Black
(TB)



Natural Brass
(NB)



Navy
(NV)



Black, Gloss
(BkG)



Persimmon
(RD)



True Black
(TB)



Sergeant Green
(SG)



White
(WT)

Shade Option(s)

SCHOOLHOUSE

Newbury 2.25", Metal Slim Cone Shade

Application: Surface Mount

Product Origin: Processed and assembled in Portland, Oregon using ethically-sourced domestic and global components.

UL Listed: Yes

Max Wattage: 100 W

Voltage: 120/220 V

Location Rating: Damp

Dimensions:

Overall: 8.25" H x 7.25" W x 7.25" D

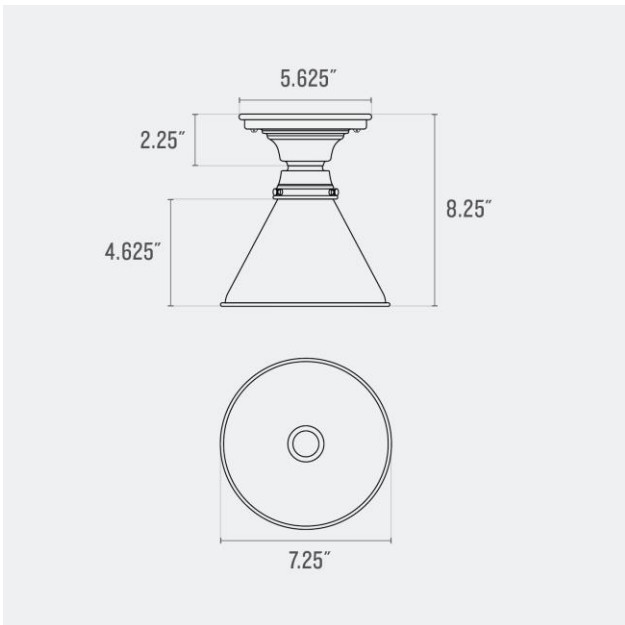
Shade: 4.625" H x 7.25" W x 7.25" D

Canopy: 2.25" H x 5.625" W x 5.625" D

Fitter Size: 2.25"

Materials: Brass

One year guarantee



Finish Option(s)



Satin Nickel
(SN)



True Black
(TB)



Natural Brass
(NB)



Natural Brass
(NB)



True Black
(TB)



Polished Nickel
(PN)

Shade Option(s)

SCHOOLHOUSE

Newbury 2.25", Open Globe Shade



Application: Surface Mount

Product Origin: Processed and assembled in Portland, Oregon using ethically-sourced domestic and global components.

UL Listed: Yes

Max Wattage: 100 W

Voltage: 120/220 V

Location Rating: Damp

Dimensions:

Overall: 10.25" H x 8" W x 8" D

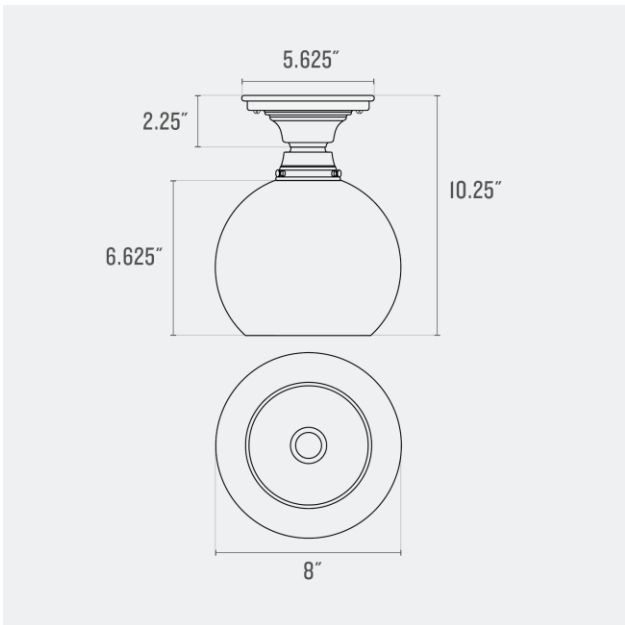
Shade: 6.625" H x 8" W x 8" D

Canopy: 2.25" H x 5.625" W x 5.625" D

Fitter Size: 2.25"

Materials: Brass, Glass

One year guarantee



Finish Option(s)



Natural Brass
(NB)



True Black
(TB)



Satin Nickel
(SN)



Opal Glass
(OP)



Clear Glass
(CL)



Polished Nickel
(PN)

Shade Option(s)

SCHOOLHOUSE

Newbury 2.25", Saucer Shade



Application: Surface Mount

Product Origin: Processed and assembled in Portland, Oregon using ethically-sourced domestic and global components.

UL Listed: Yes

Max Wattage: 100 W

Voltage: 120/220 V

Location Rating: Damp

Dimensions:

Overall: 5" H x 8.5" W x 8.5" D

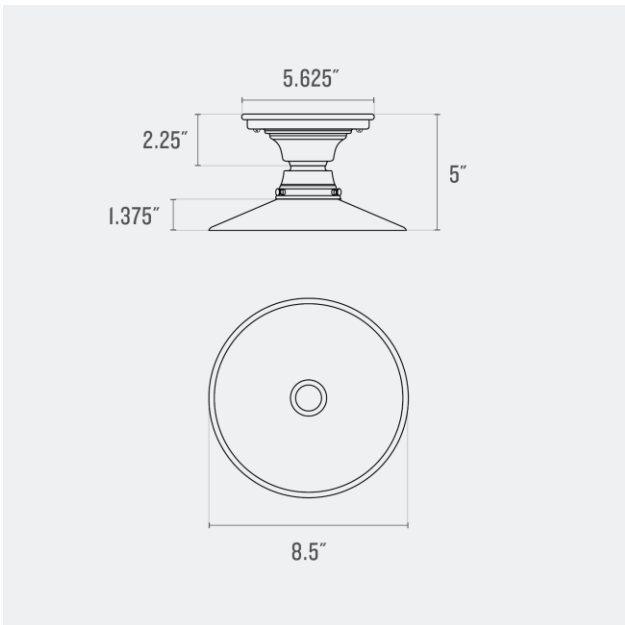
Shade: 1.375" H x 8.5" W x 8.5" D

Canopy: 2.25" H x 5.625" W x 5.625" D

Fitter Size: 2.25"

Materials: Brass, Glass

One year guarantee



Finish Option(s)



Natural Brass
(NB)



True Black
(TB)



Satin Nickel
(SN)



Opal Glass
(OP)



Clear Glass
(CL)



Polished Nickel
(PN)

Shade Option(s)

SCHOOLHOUSE

Newbury 2.25", Slim Cone Shade



Application: Surface Mount

Product Origin: Processed and assembled in Portland, Oregon using ethically-sourced domestic and global components.

UL Listed: Yes

Max Wattage: 100 W

Voltage: 120/220 V

Location Rating: Damp

Dimensions:

Overall: 8.125" H x 6.625" W x 6.625" D

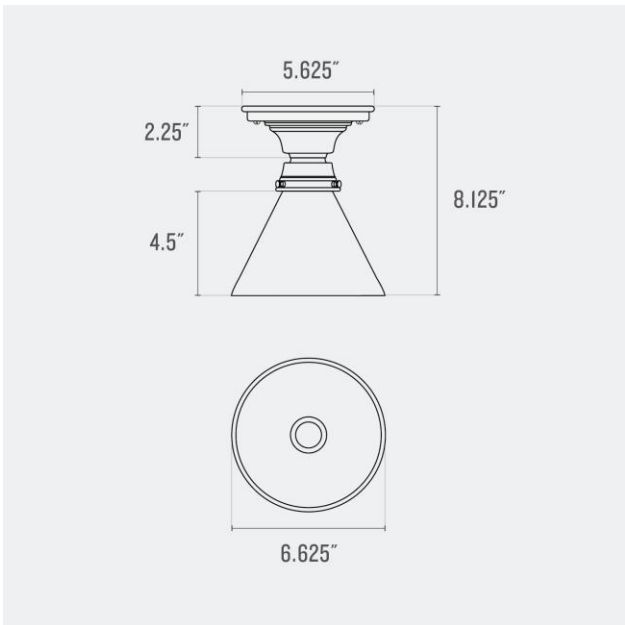
Shade: 4.5" H x 6.625" W x 6.625" D

Canopy: 2.25" H x 5.625" W x 5.625" D

Fitter Size: 2.25"

Materials: Brass, Glass

One year guarantee



Finish Option(s)



Polished Nickel
(PN)



Satin Nickel
(SN)



True Black
(TB)

Shade Option(s)



Clear Glass
(CL)



Opal Glass
(OP)



Natural Brass
(NB)

SCHOOLHOUSE

Newbury 2.25", Straight Bell Shade

Application: Surface Mount

Product Origin: Processed and assembled in Portland, Oregon using ethically-sourced domestic and global components.

UL Listed: Yes

Max Wattage: 100 W

Voltage: 120/220 V

Location Rating: Damp

Dimensions:

Overall: 8.125" H x 5.625" W x 5.625" D

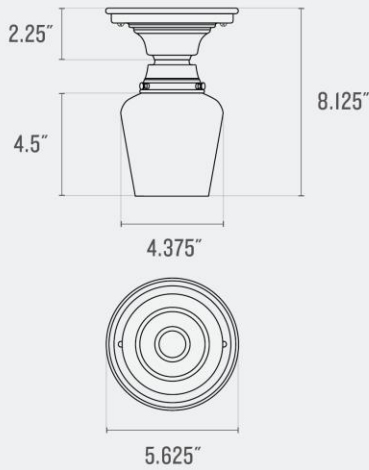
Shade: 4.5" H x 4.375" W x 4.375" D

Canopy: 2.25" H x 5.625" W x 5.625" D

Fitter Size: 2.25"

Materials: Brass, Glass

One year guarantee



Finish Option(s)



True Black (TB)



Satin Nickel (SN)



Natural Brass (NB)



Opal Glass (OP)



Black Pinstripe (BPS)



Clear Glass (CL)



Gray Bands (GB)



Polished Nickel (PN)

Shade Option(s)

SCHOOLHOUSE

Newbury 2.25", Wide Cone Shade



Application: Surface Mount

Product Origin: Processed and assembled in Portland, Oregon using ethically-sourced domestic and global components.

UL Listed: Yes

Max Wattage: 100 W

Voltage: 120/220 V

Location Rating: Damp

Dimensions:

Overall: 8.25" H x 9.5" W x 9.5" D

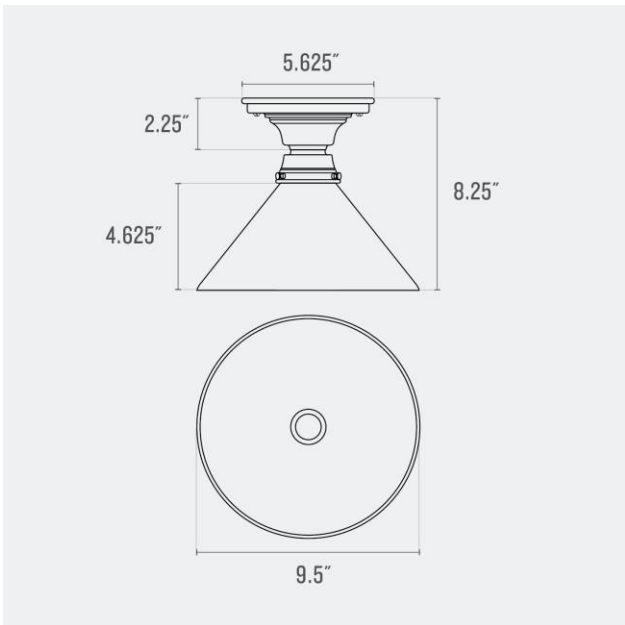
Shade: 4.625" H x 9.5" W x 9.5" D

Canopy: 2.25" H x 5.625" W x 5.625" D

Fitter Size: 2.25"

Materials: Brass, Glass

One year guarantee



Finish Option(s)



Polished Nickel
(PN)



Satin Nickel
(SN)



Natural Brass
(NB)

Shade Option(s)



Opal Glass
(OP)



Clear Glass
(CL)



True Black
(TB)