


STEEL FIRE PIT BOWL






RCM-542

Understand assembly instructions carefully and follow the care instructions. Save this document for future reference.
Assemble on a soft, clean surface to avoid scratching or damaging the finish.



Inspect packaging to ensure all parts are accounted for before disposing of packing materials.



No.	Parts	Qty.
A	 Base	1
B	 Fire Bowl	1
C	 Bolt	3
D	 Washer	3
E	 Hex Key	1

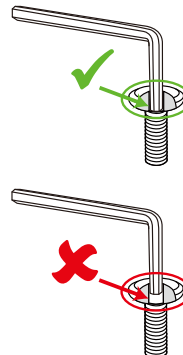
WARNING

CHOKING HAZARD — This item contains small parts that could be swallowed by children. Keep children away during assembly.

ASSEMBLY



- Place Fire Bowl (A) onto Base (B).
- Secure components by hand-tightening 3 x Bolt (C) and 3 x Washer (D).
- Use the included hex key to finish tightening the bolts.



Tip: Always fully insert the hex key inside designated notch of the bolt.

If the hex key is not fully inside the notch, the hex key could slip out, causing damage to the bolt head. Repeated hex key slipping will cause the notch to become rounded, making it difficult or impossible to tighten the bolt with the hex key.

CARING FOR YOUR FIRE PIT

USE ON A SAFE SURFACE: Always use fire pits on a level, non-combustible surface; do not use on a wood deck or any other combustible surfaces like dry grass, leaves, mulch, etc. Always ensure fire pits are a safe distance from combustible structures such as fences, garages, homes, etc.

AVOID ACCELERANTS: Never use accelerants to start a fire; this is dangerous and will damage the fire pit.

AVOID PLASTIC: Never use any plastic materials in or nearby a fire pit. It is very difficult to remove the residue later, and the burning of this residue can cause the emission of toxic fumes.

EXTINGUISH: Always let fires die down gradually. Do not use water to extinguish a fire, as doing so can create steam that may scald or cause other serious injuries. Additionally, the sudden drop in temperature from extinguishing a fire with water may cause the metal to crack. Damages caused by extinguishing a fire inappropriately are not covered under warranty.

CLEAN REGULARLY: All fire pits must be cleaned and inspected periodically. Cleaning ash out of the fire pit before each use is highly recommended. Never allow ash to accumulate in the bowl.

CLEAN SAFELY: Before attempting to clean any fire pit, make sure the fire has completely died down, and all embers are fully extinguished. If ashes are still hot, using sand to extinguish is highly recommended.

COVER AND STORE: If the fire pit is not used for an extended period of time, cover and store it in a dry location. Do not allow the fire pit to be exposed to water. The manufacturer is not liable for damage or rust due to use or weather conditions.

SAFETY STATEMENTS & WARNINGS

- For outdoor use only. Never use a fire pit in an enclosed area.
- Always follow local laws and regulations when using a wood-burning fire pit.
- Exercise the same care and precautions as you would with an open fire.
- Keep this unit a safe distance away from buildings, balconies, or overhangs when in use.
- Only use this fire pit on a level, non-combustible surface.
- Do not use on or near combustible surfaces or structures including, but not limited to, wood decks, dry leaves or grass, mulch, vinyl or wood siding, etc.
- Keep away from combustible materials, including gasoline and other flammable liquids and vapors.
- Never use accelerants such as, but not limited to, gasoline, alcohol, paint thinners, kerosene, as this may cause serious injury or product damage.
- The fire pit becomes very hot when in use; ensure the metal and ashes are completely cool before cleaning or moving the pit.
- Do not overfill or use this unit to burn leaves or trash.
- Avoid using any fire pit during dry or windy conditions.
- Never leave a fire pit unattended while hot or in use.
- Keep out of reach of children. Supervise children and pets when the fire pit is in use.
- DO NOT USE CHEMICAL-BASED CLEANERS, as this may damage the product and/or ignite a flame during the next use.
- Extinguish the fire properly before leaving the pit unattended. If necessary, use a bucket of sand to smother the fire. Do not use water to extinguish hot fires or embers, as this may cause serious injury and may damage the product.
- Ashes can remain hot for a long time after the fire is extinguished. Dispose of cold ashes properly.
- Ensure the unit is completely cool before covering; failure to do so will damage the cover (not included) and the unit.

Any modification to the product or failure to follow recommended care will void the product warranty.

WARNING!

Manufacturer and seller expressly disclaim any and all liability from personal injury, property damage or loss, whether direct or indirect, or incidental, resulting from the incorrect attachment, improper use, inadequate maintenance, or neglect of this product.