

**BOSS**<sup>®</sup>  
AUDIO SYSTEMS



BOSS Audio Systems  
3451 Lunar Court • Oxnard, CA 93030  
[www.bossaudio.com](http://www.bossaudio.com)  
805-751-4853 Customer Service  
Tech Support: [www.bossaudio.com/support](http://www.bossaudio.com/support)



0820

**BOSS**<sup>®</sup>  
AUDIO SYSTEMS



POWERSPORTS



IPX RATING



IMPEDANCE

# **BHD14** USER'S MANUAL

## **HARLEY DAVIDSON SADDLEBAG SPEAKER KIT**

FITS SELECT 2014+ HARLEY DAVIDSON ROAD GLIDE AND STREET GLIDE MOTORCYCLES





## BHD14

Harley Davidson  
Saddlebag Speaker Kit

**Congratulations on your purchase of a BOSS AUDIO SYSTEMS POWERSPORTS Speaker System.**

It has been engineered to bring you the highest level of performance. Its quality will afford you years of listening pleasure.

Thank you for making BOSS your choice for POWERSPORTS entertainment!

### Specifications

#### Mid Bass Driver:

6"x9" (152x229mm)  
poly injection cone  
rubber surround

#### Tweeter:

1" (25mm) Silk dome tweeter

#### Crossover network:

Built-in

#### Impedance:

4 Ohms

#### Power Capacity:

150W RMS

#### Frequency Response:

70Hz - 20kHz

#### Sensitivity:

93dB (1 watt/1 meter)

#### Dimensions:

9-1/4" (W) x 6-1/2" (H) x 3-1/2" (D)  
(234 (W) x 164 (H) x 89 (D) mm)

#### Weight (in gift box):

13.23 lbs (6kg)

All specifications subject to change without notice.

## USER'S MANUAL

### Introduction

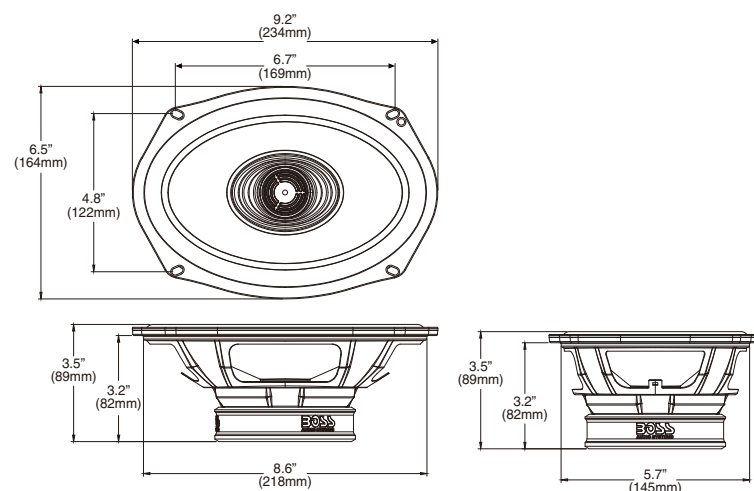
The BOSS Audio Systems BHD14 Saddlebag Speaker kit allows the addition of 6"x9" rear speakers to easily be installed into your existing factory bag lids. The included cut out template makes the cutting painless and installation a breeze. This rear speaker upgrade is designed to work perfectly with our BHD3F front kit (sold separately). This BHD14 fits 2014+ Harley Davidson Road Glide and Street Glide models. Simply plug in to the BHD3F (sold separately) amplifier for a complete audio upgrade without the hassle of serious modifications or paint.

### What is included?

Before you begin installation please check that your system contains the following contents:

- (2) 6"x9" (152x229mm) 2-way speakers
- (2) Saddlebag speaker grilles
- (2) 6"x9" (152x229mm) bottom speaker protectors
- (2) 6"x9" (152x229mm) plastic mounting rings
- (2) Red colored templates
- (1) Wire cable
- (1) Screw bag (4x20mm 8pcs, 4x12mm 10pcs)
- (2) Wire clamps
- (10) Plastic gaskets for speaker
- (12) Nylon wire straps

### Dimensions:



## USER'S MANUAL

**BHD14**  
Harley Davidson  
Saddlebag Speaker Kit

### Installation

1. Remove Saddle Bags from motorcycle.  
(Note: Inside the bag you will find 2 pins that hold the bag in place. Turn pins to remove bags)



2. Place a soft cover on secure table, then place the Bag on to table to avoid causing any scratching or damage to the bag.
3. With masking tape, cover the front edge of the bag lid where you will be placing the cutting template.



4. Test fit the template to make sure you have all painted surfaces covered with masking tape and that the template can be firmly mounted with no gaps.



5. Place template on bag lid and drill a screw in either one of the two center holes. Before drilling in the second screw, double check that the template is still in position and has not shifted. After that has been confirmed, drill the second screw into position. Now your template should be in place and have no visible gaps between the template and the bag lid.



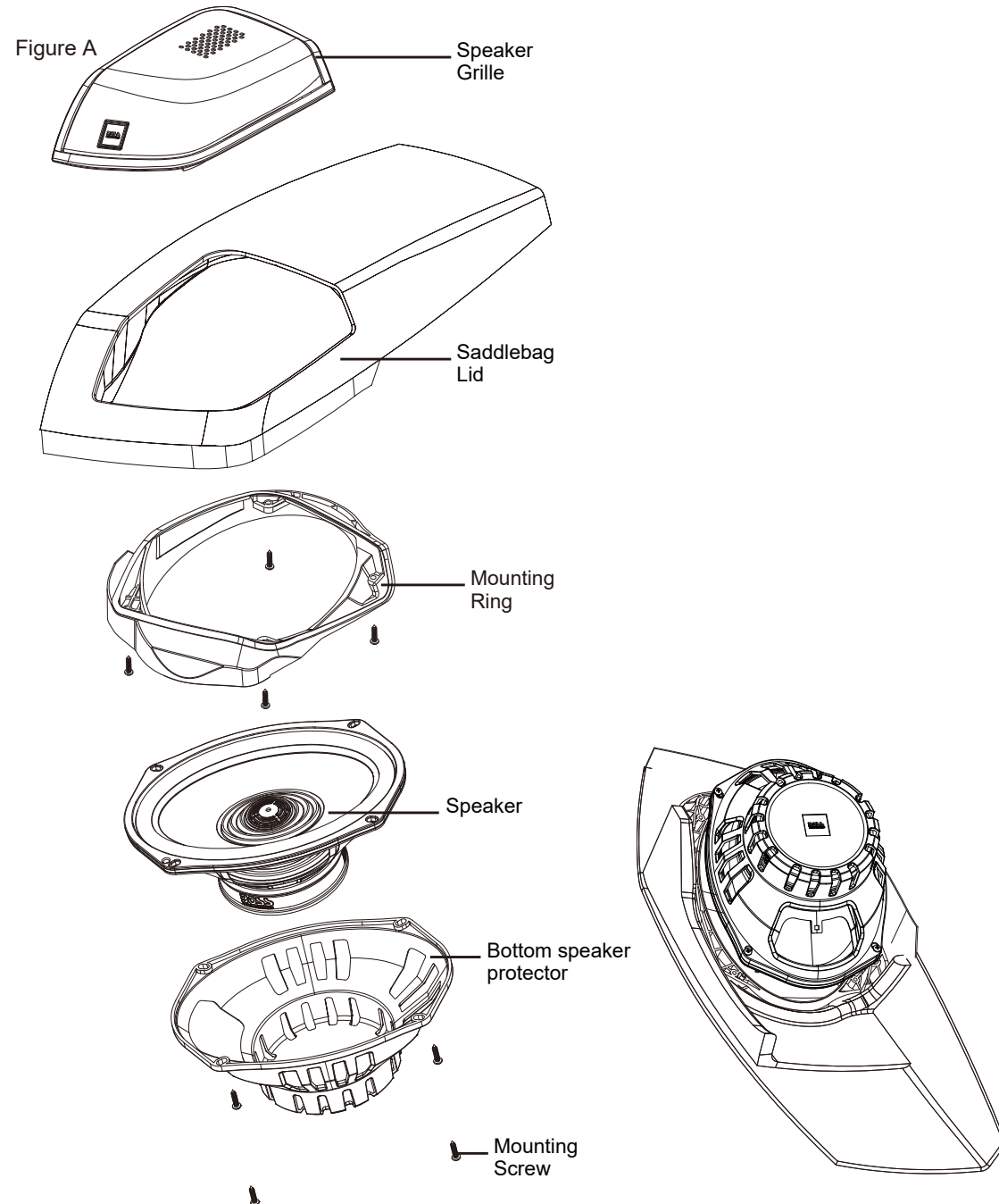
6. With a 5/16 drill bit begin to drill out the 15 pilot holes on the template.
7. Using a jig saw or rotary drill, begin to cut along the template lines until all cuts have been made. Use care and go slow to ensure you make accurate cuts.



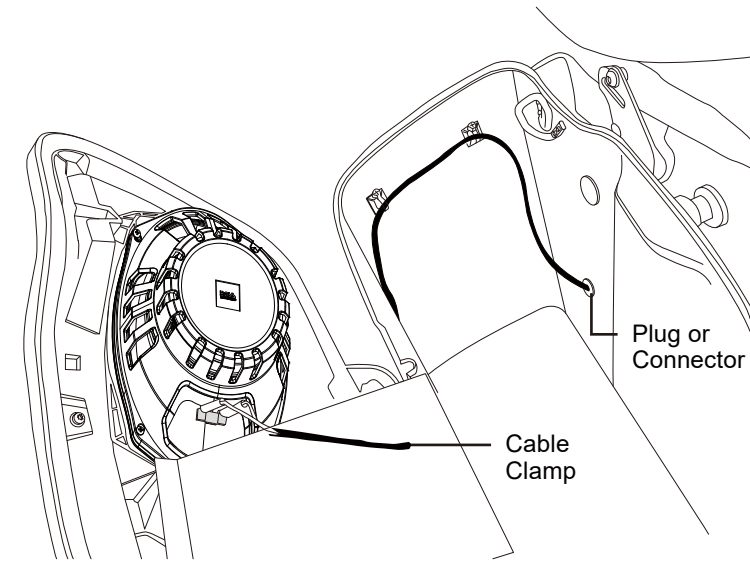
8. Remove template and masking tape.
9. Carefully sand the newly cut edges so that there is no debris or hanging material left from cutting.
10. If there is not a stock wire hole for wiring in the rear of bag on the side facing the tire, please drill out a hole using the 5/16 drill. This hole is to be used to run wires out of the bag lids.
11. Take the bottom speaker mounting plate and top speaker grill mounting plate and sandwich the bag lid so the bottom plate is on the inside of the bag lid and the top grill mounting plate is on the outer side of bag lid.(Figure A, Page 5)
12. Use the provided 4 screws and secure the two plates together, making them tight so no gaps can be seen on the outer grill bag lid plate and the bag lid itself.(Figure A, Page 5)



13. Speaker mounting- Place the 6x9 speaker in first, then the plastic 6x9 speaker cover from the bottom of the Speaker mounting plate. Using the 4 screws provided, secure both the 6x9 speaker and the plastic 6x9 speaker cover in place. Please make sure the speaker screws are tight but do not overtighten.



14. Attach speaker wires to speaker then run the wires and attach them to the source unit. Note to not run the wiring anywhere near, hot parts, fuel components, or moving parts.



15. Double-check all connections and all your screws to ensure they are secure before going out on your first audio adventure!