

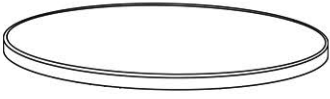



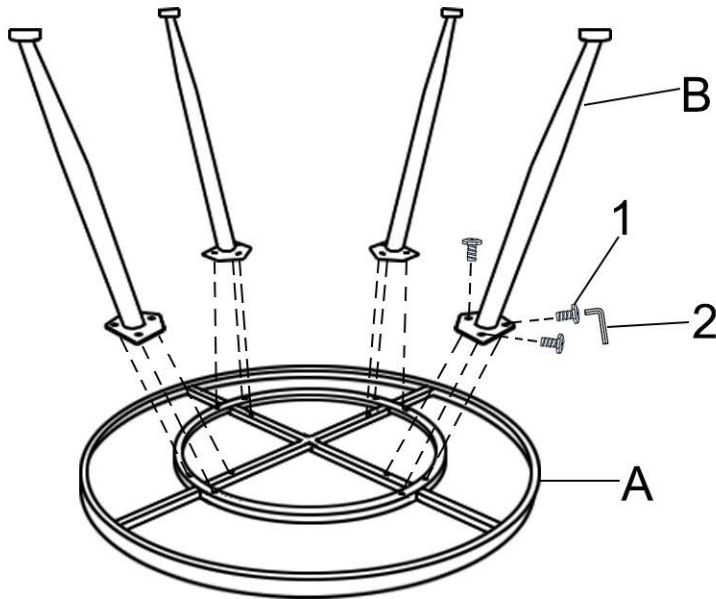
ASSEMBLY INSTRUCTIONS

Parts required

1		Bolt	$\Phi 6*12\text{MML}$	12pcs
2		Allen wrench		1pc

A		1pc
B		4pcs

1.



2.

