

CREEPER SEAT TOOL BOX

Stock Number W85025

OWNERS MANUAL



Performance Tool

▲ WARNING!

It is the owner and/or operators' responsibility to study all WARNINGS, operating, and maintenance instructions contained on the product label and instruction manual prior to operation of this creeper seat tool box. The owner operator shall retain product instructions for future reference.

The owner and/or operator are responsible for maintenance, maintaining all decals or warning labels and while in use, maintaining the unit in good working order. If the owner and/or operator are not fluent in English, the product warnings and instructions shall be read and discussed with the operators' native language by the purchaser/owner or his designee. Make sure that the operator comprehends its contents. Safety information shall be emphasized and understood prior to usage. The tool shall be inspected per the operating instructions.

Protect yourself and others by observing all safety information.

Failure to comply with instructions could result in personal injury and/or property damage!

If you encounter any problems or difficulties, please contact our customer service department at: 1-800-426-1262 between 6:30 a.m. and 4:30 p.m. Pacific time.

PT[®]

Performance Tool

Please read these instructions carefully and retain them for future use.

On occasion, after printing of our literature is completed, our manufacturers may make changes and/or modifications to merchandise which will not be reflected in this manual. Although we strive to maintain complete and accurate information, it is possible in some instances, that the product may differ slightly from printed specifications. Illustrations are intended for reference only. Actual merchandise may vary. Wilmar is not responsible for typographical errors.

SPECIFICATIONS

Capacity:.....350 lbs.
Overall Dimensions:.....26-3/8 x 14-1/8 x 16 in.

Maximum Drawer Capacity:22 lbs.
Side tool tray maximum capacity:.....11 lbs.

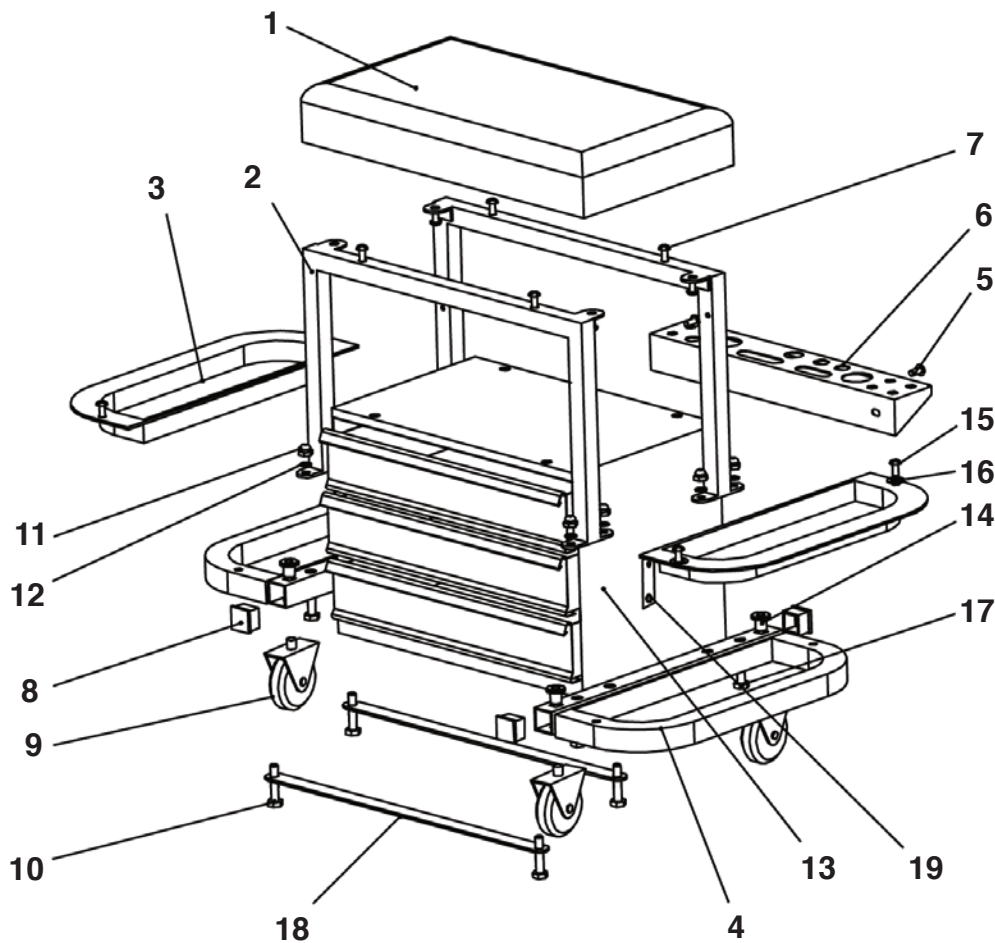
This product is designed to support a maximum capacity of 350 lbs. (159 kg), including all tools and equipment. It is intended to be used to support and transport, along a smooth and level surface. This product is not intended, designed or engineered to be used for any other purpose.

Specifications are subject to change without notice

IMPORTANT SAFETY INFORMATION

▲ WARNING! READ, UNDERSTAND AND FOLLOW ALL INSTRUCTIONS, AND WARNINGS BEFORE OPERATING THIS TOOL. FAILURE TO DO SO MAY RESULT IN PERSONAL INJURY AND/OR PROPERTY DAMAGE AND WILL VOID WARRANTY.

PARTS DIAGRAM



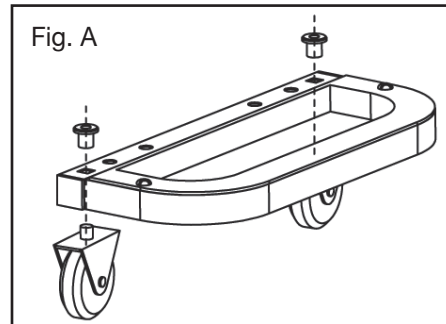
PARTS LIST

No.	Description	Qty.	No.	Description	Qty.	No.	Description	Qty.
1	Stool Pad	1	8	Plastic Tube Cap	4	14	Sleeve Nut.....	4
2	Body Frame	2	9	2.5" PVC Caster.....	4	15	Bolt M8x16.....	4
3	Plastic Tray.....	2	10	Bolt M8x40.....	4	16	Washer 8.....	4
4	Side tray frame.....	2	11	Nut M8	8	17	Bolt M8x35.....	4
5	Bolt M6x10.....	2	12	Washer 8.....	8	18	Support Bar	2
6	Tool Holder Shelf.....	1	13	Body with 3 Drawers.....	1	19	Buckle	2
7	Bolt M6x30.....	8						

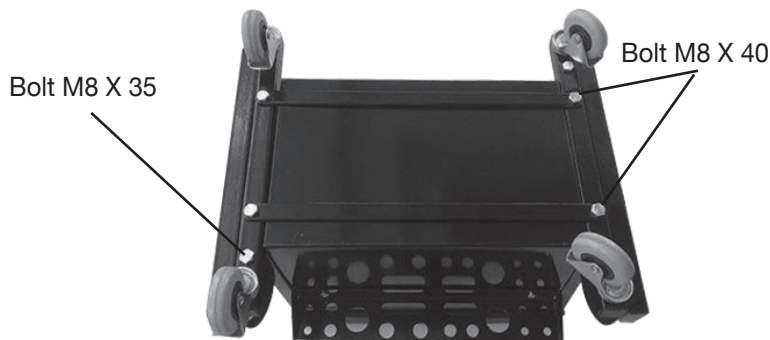
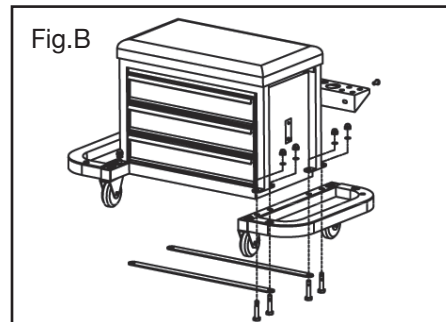
ASSEMBLY

Before assembly of this product, make sure all parts are present. Compare parts with the contents list and diagram. If any part is missing or damaged, do not attempt to assemble, install or operate the product.

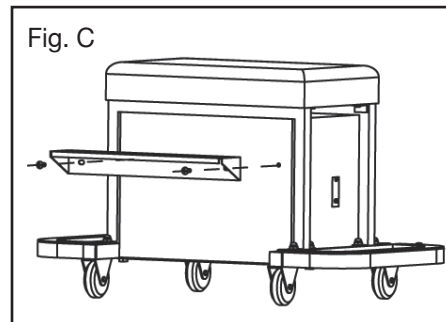
Step 1: Assemble 4 casters (No. 9), through the hole on the side tray's frame (No. 4) as shown in Fig. A. Then tighten the sleeve nut using an inner hexagon wrench.



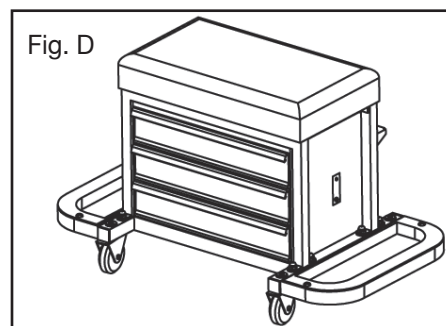
Step 2: To assemble two magnetic tool trays, insert the bolt (No. 10) through the support bar (No. 18), then through the holes on the frame of side tray (No. 4), then through the body frame (No. 2), then add the washer (No. 12) to tighten the nut (No. 11), as shown (Fig. B).



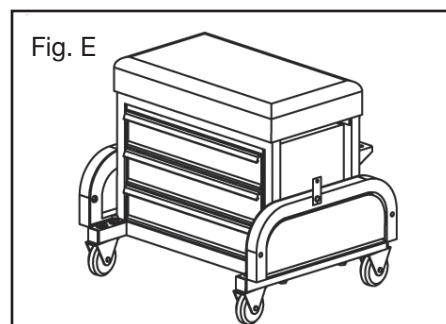
Step 3: To assemble the rear tool and screwdriver holder, screw the bolt (No. 5) into the hole on the back side of the body, as shown (Fig. C).



Step 4: Final assembled product shown (Fig. D).



Step 5: The side tray folds down using the Buckle (No. 19), which is inserted in the hole in the frame, as shown (Fig. E).



CARE & MAINTENANCE

Little maintenance is required for this product. Wipe clean as needed; use mild upholstery cleaner (not caustic) to clean seat.

- NEVER add lubricant to casters!
- Periodically check that all of the fasteners are tight.
- Keep the seat clean. Wash it with a mild soap and dry immediately.

STORAGE

When you are finished using the stool, store it in a safe place where it will not disturb or hinder others.

1 YEAR LIMITED WARRANTY

PERFORMANCE TOOL® extends only the following warranties, and only to original retail purchasers. These warranties give specific legal rights. Except where prohibited by local law, the law of the State of Washington governs all warranties and all exclusions and limitations of warranties and remedies. There may be other rights which vary from state to state.

PERFORMANCE TOOL® warrants the product to be free from defects in materials and workmanship under normal use and service. A defective product may be returned for a free replacement within 90 days from the date of purchase, provided that product is returned to place of purchase immediately after discovery of defect. After 90 days and up to one year from date of purchase, PERFORMANCE TOOL® will replace at no charge any parts which our examination shall disclose to be defective and under warranty. These warranties shall be valid only when a sales receipt showing the date of purchase accompanies the defective product or defective part (s) being returned. For part (s) after 90 days, please remit your request, postage prepaid to:

PERFORMANCE TOOL, P.O. Box 88259 Tukwila, WA 98138

These warranties exclude blades, bits, punches, dies, bulbs, fuses, hoses, and other consumables which must be replaced under normal use and service. These warranties shall not apply to any product or part which is used for a purpose for which it is not designed, or which has been repaired or altered in any way so as to affect adversely its

performance or reliability, nor shall these warranties apply to any product or part which has been subject to misuse, neglect, accident or wear and tear incident to normal use and service.

PERFORMANCE TOOL® does not authorize any other person to make any warranty or to assume any liability in connection with its products.

Except for warranties of title and the limited express warranties set forth above, PERFORMANCE TOOL® makes no express or implied warranties of any kind with respect to its products. In particular, PERFORMANCE TOOL® makes no implied warranty of merchantability and no implied warranty of fitness for any particular purpose, except that for goods purchased primarily for personal, family or household use and not for commercial or business use, PERFORMANCE TOOL® makes an implied warranty of merchantability (and, if otherwise applicable, an implied warranty of fitness for a particular purpose), but only for the particular qualities or characteristics, and for the duration, expressly warranted above. The laws on limitation of implied warranties may differ from state to state, so the above limitations may not apply in all cases.

PERFORMANCE TOOL® shall not be liable for consequential, incidental or special damages resulting from or in any manner related to any product, or to the design, use, or any inability to use the product. The sole and exclusive remedy for a defective product or part shall be the repair, or replacement thereof as provided above. The laws on limitation of remedies or on consequential, incidental or special damages may vary from state to state, so the above limitations may not apply in all cases.