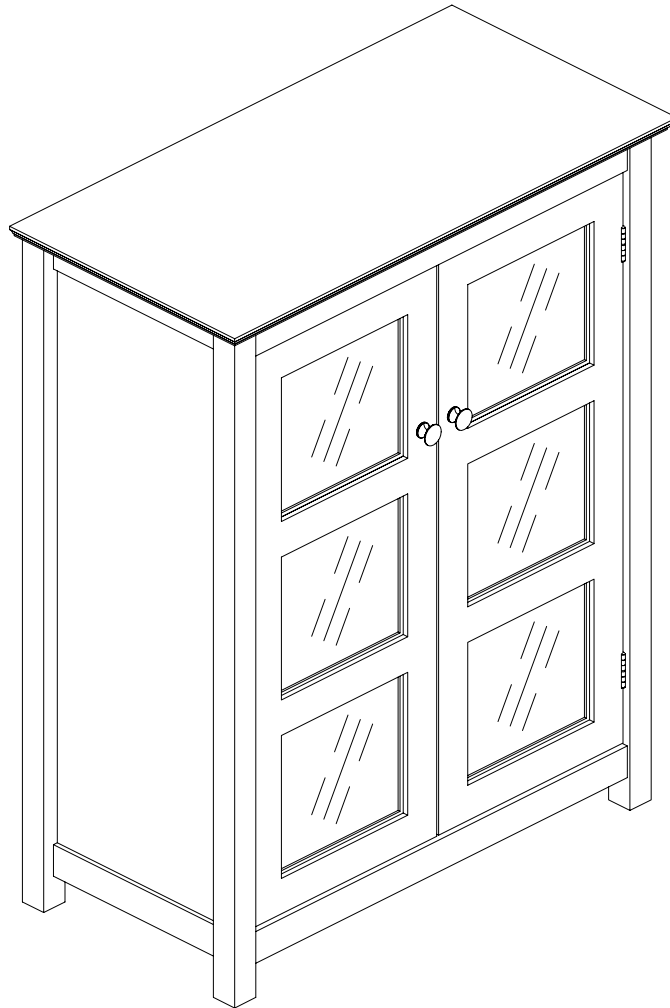


Assembly Instructions

Double Floor Cabinet



Please provide the following information when contacting for parts or questions: the name of the company you purchased from, the tracking number of the original package, and the original order date.

We offer free replacements for 1 year (purchase verification required). This replacement policy does not cover used/previously returned product or products sold by unauthorized third party vendors.

ASSEMBLY INSTRUCTIONS - IMPORTANT

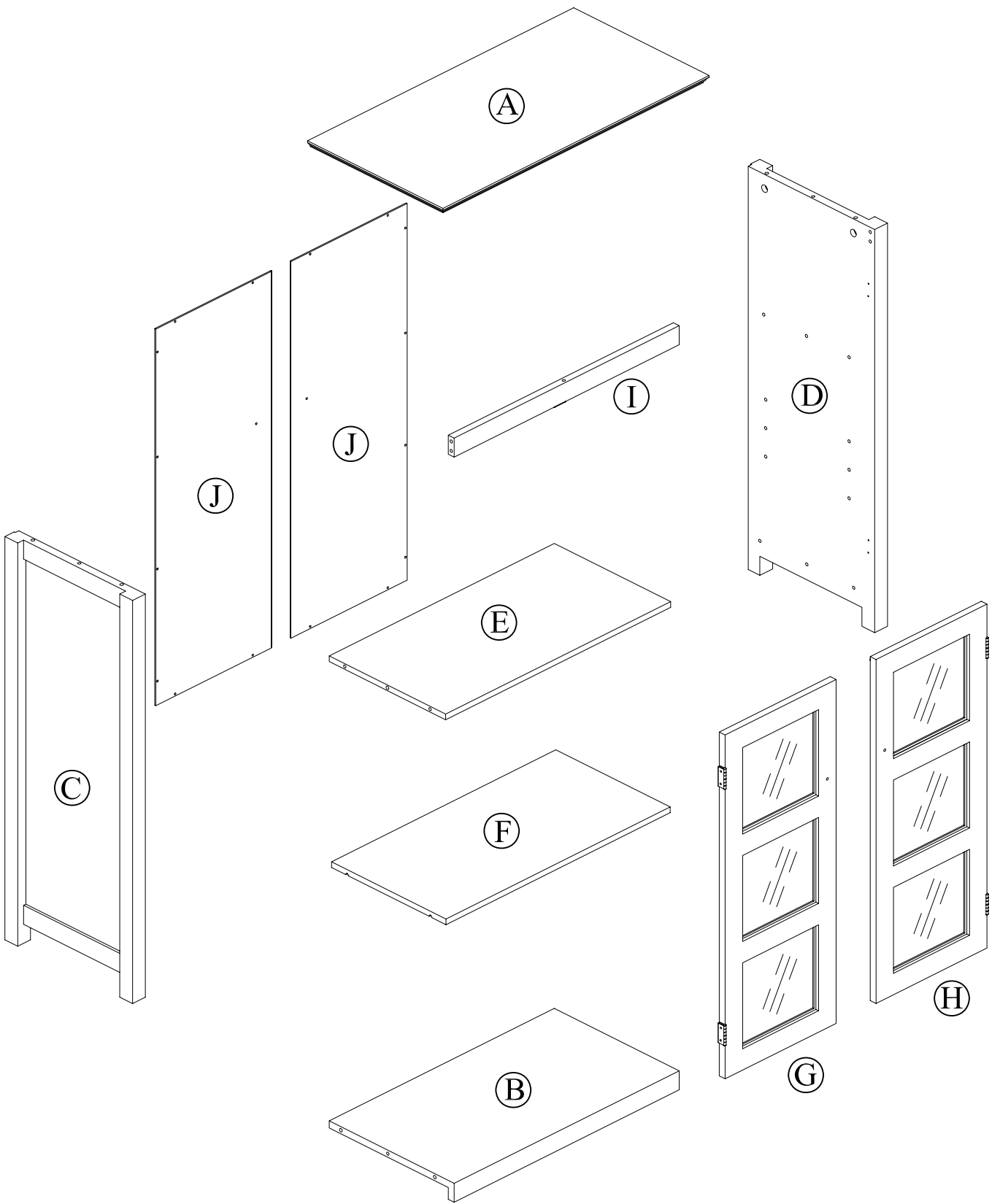
Carefully unpack & identify each component before attempting to assemble. Refer to parts list. Please take care when assembling the unit and always set the parts on a clean, soft surface. If you require any assistance with assembly, parts, please call the company you place order with or please email to: service@eleganthf.net.

INSTRUCCIONES PARA ARMAR - IMPORTANTE :

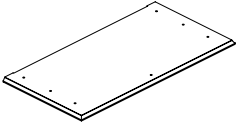
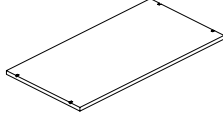
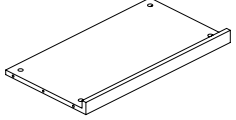
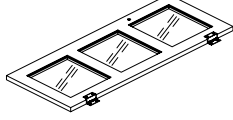
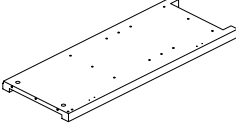
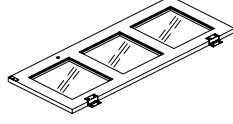
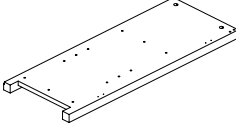
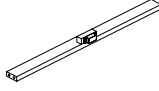
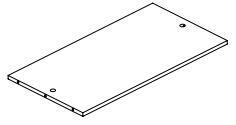
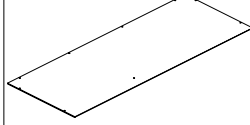
Desempaque cuidadosamente e identifique cada componente antes de tratar de empezar su ensambladura. Verifique la lista de partes. Por favor tenga cuidado cuando arme la unidad y siempre coloque las piezas sobre una superficie plana, suave y limpia. Si necesita ayuda con el armado, envíe un correo electrónico a service@eleganthf.net.

DIRECTIVES DE MONTAGE-IMPORTANT:


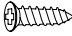

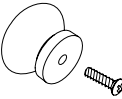




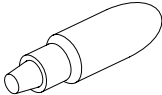
Avant de commencer l'assemblage, déballez délicatement toutes les pièces et repérez-les sur la liste des pièces. Procédez avec soins durant l'assemblage et posez toujours les pièces sur une surface propre, douce et lisse. Si vous plait e-mail à service@eleganthf.net.



COMPONENTS

PART	FIGURE	DESCRIPTION	QTY	PART	FIGURE	DESCRIPTION	QTY
A		TOP SHELF	1PC	F		ADJUSTABLE SHELF	1PC
B		BOTTOM SHELF	1PC	G		LEFT DOOR	1PC
C		SIDE PANEL-LEFT	1PC	H		RIGHT DOOR	1PC
D		SIDE PANEL-RIGHT	1PC	I		UPPER FRONT RAIL	1PC
E		FIXED LEVEL SHELF	1PC	J		REAR PANEL	2PCS

HARDWARE & TOOLS

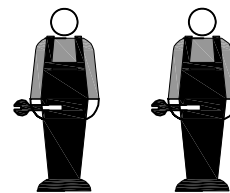
PART	FIGURE	DESCRIPTION	QTY	PART	FIGURE	DESCRIPTION	QTY
1		WOODEN DOWEL	13PCS	6	 Ø3*15 mm	SCREW	8PCS
2		PIN	10PCS	7		KNOB & BOLT	2SETS
3		CAM LOCK	10PCS	8	 Ø3*12 mm	SCREW	18PCS
4		CAM LOCK CAP	10PCS	9		SHELF PIN	4PCS
5		GLUE	1PC				

TOOL NEEDED:

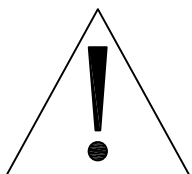


**PHILIPS SCREWDRIVER REQUIRED
- NOT INCLUDED**

SUGGESTION:



TWO PEOPLE FOR ASSEMBLING

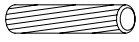


WARNINGS:

1. DO NOT LET ANY SHARP OBJECTS TOUCH OR RUB THE SURFACE OF THE PRODUCT.
2. WHEN ASSEMBLING, DO NOT LET CHILDREN PLAY AROUND THE WORKING AREA.
3. PLEASE CONFIRM ALL PARTS ARE CORRECT BEFORE STARTING THE ASSEMBLY PROCESS.
4. DO NOT TIGHTEN ALL BOLTS AND SCREWS COMPLETELY UNTIL THE ENTIRE UNIT HAS BEEN ASSEMBLED AND SET UP.

1

1



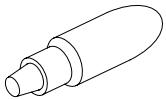
13pcs

2

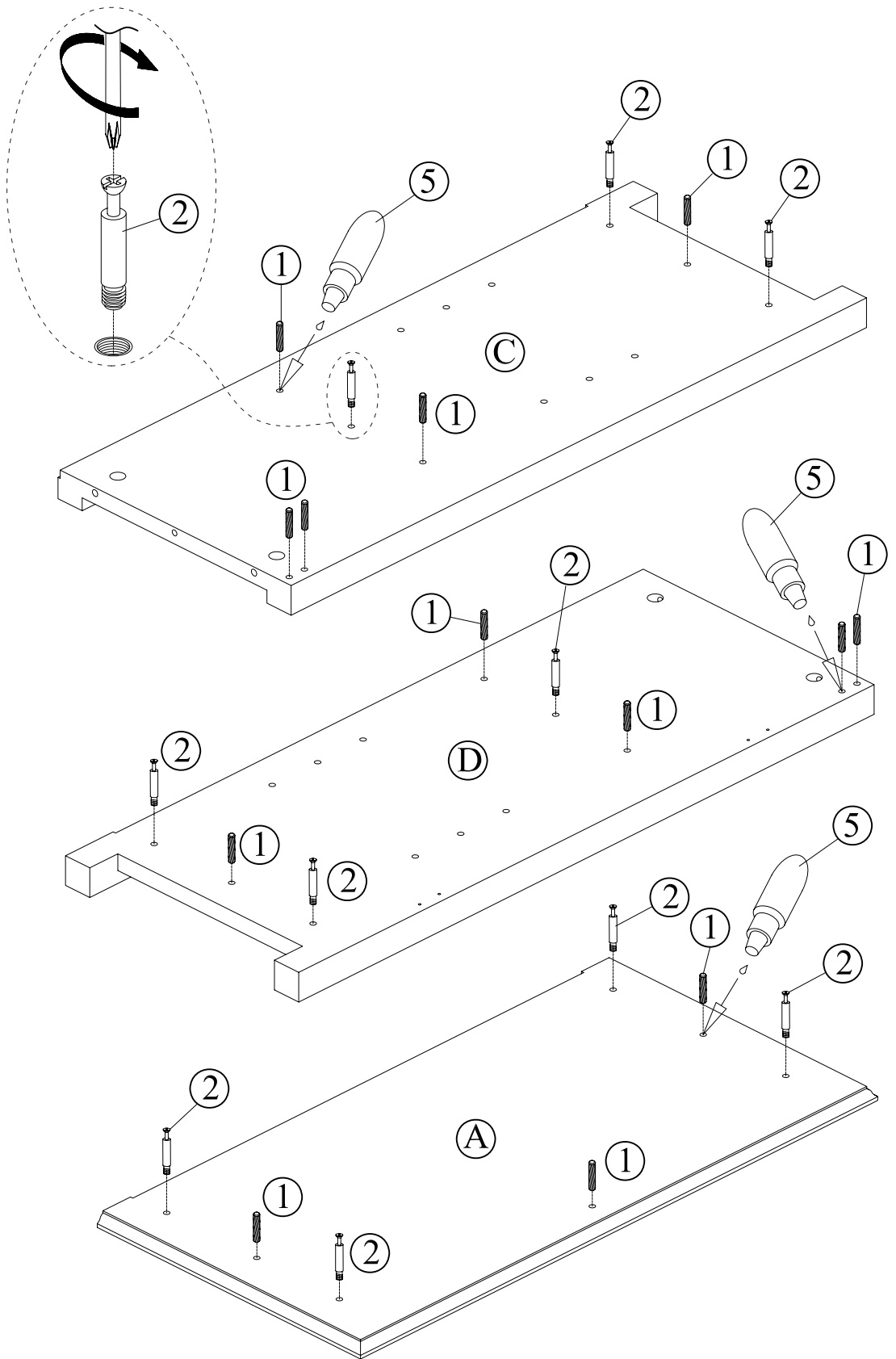


10pcs

5



1pc



STEP 1:

1. Fill dowel hole half way with Glue #5.

Wooden Dowel #1 may push out excess glue-wipe off excess glue.

2. Insert the Wooden Dowel #1 and the Pin #2 into the hole on the Side Panel-Left C, tighten the Pin #2.

3. Insert the Wooden Dowel #1 and the Pin #2 into the hole on the Side Panel-Right D, tighten the Pin #2.

4. Insert the Wooden Dowel #1 and the Pin #2 into the hole on the Top Shelf A, tighten the Pin #2.

2

3

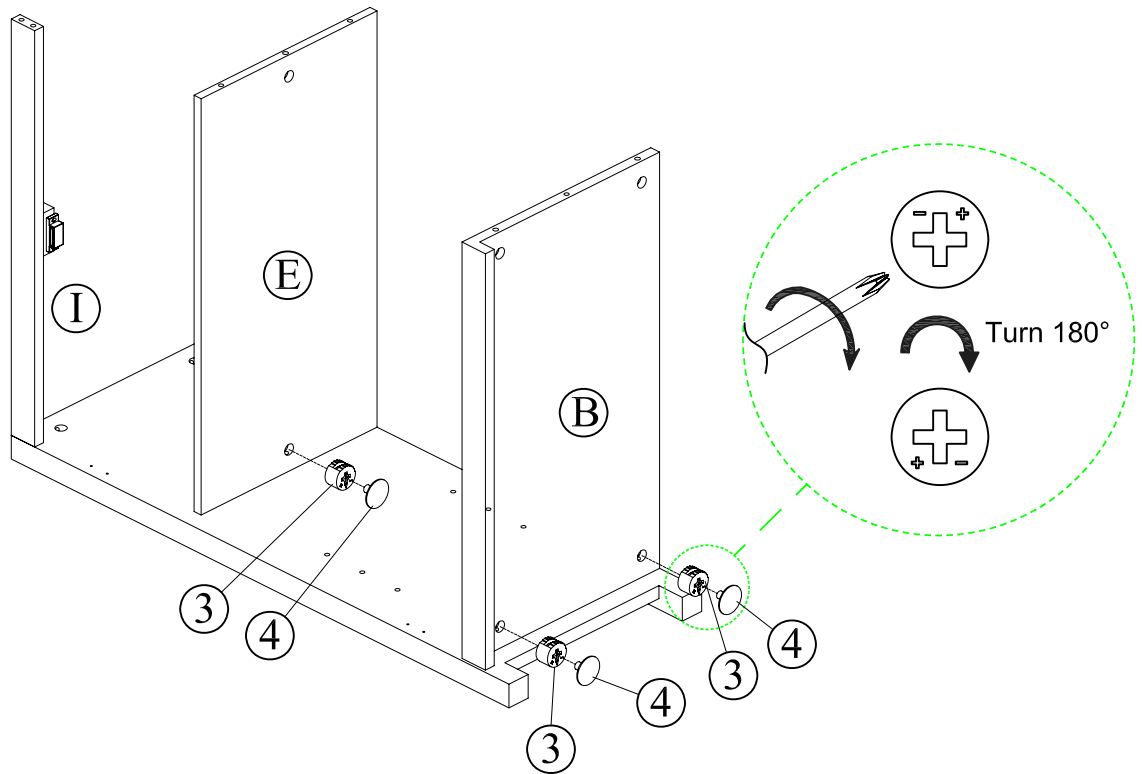
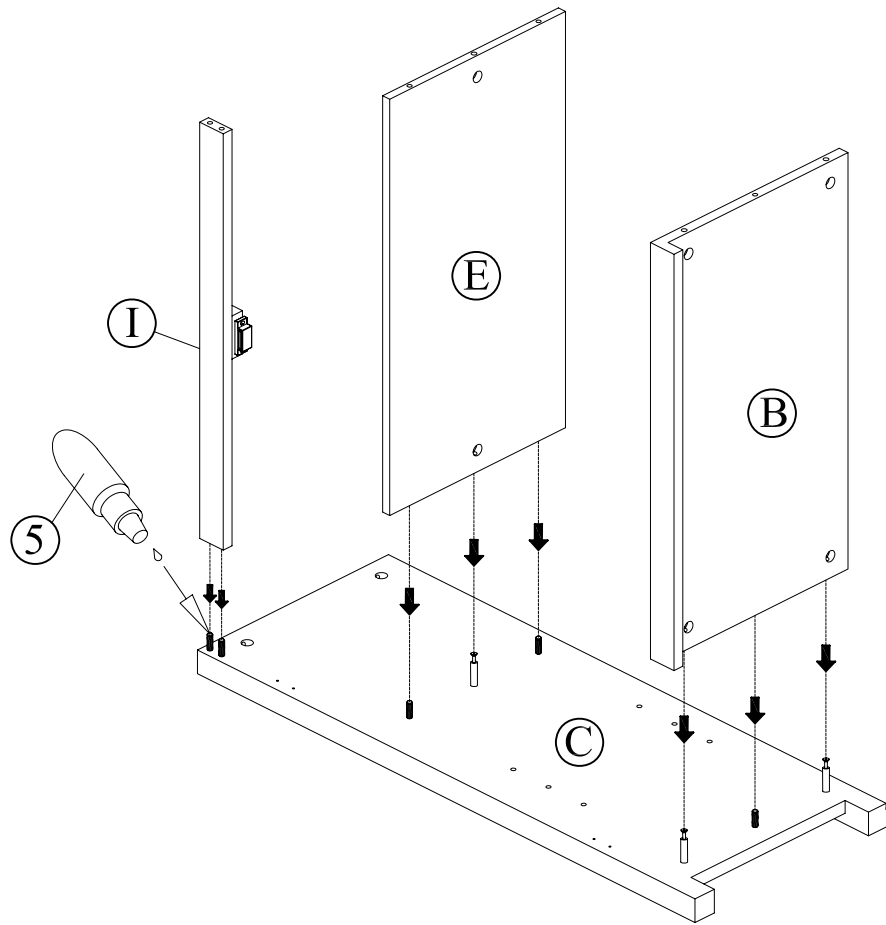


3pcs

4



3pcs



STEP 2:

1. Fill dowel hole half way with Glue #5.

Wooden Dowel #1 may push out excess glue-wipe off excess glue .

2. Connect the Upper Front Rail I and the Side Panel-Left C with the Wooden Dowel #1.

3. Connect the Fixed Level Shelf E and the Side Panel-Left C with the Wooden Dowel #1 and the Pin #2.

4. Connect the Bottom Shelf B and the Side Panel-Left C with the Wooden Dowel #1 and the Pin #2.

5. Insert the Cam Lock #3 into the hole on the Fixed Level Shelf E and the Bottom Shelf B.

6. Tighten the Cam Lock #3 to the Pin #2, insert the Cam Lock Cap #4 when finish.

3

3

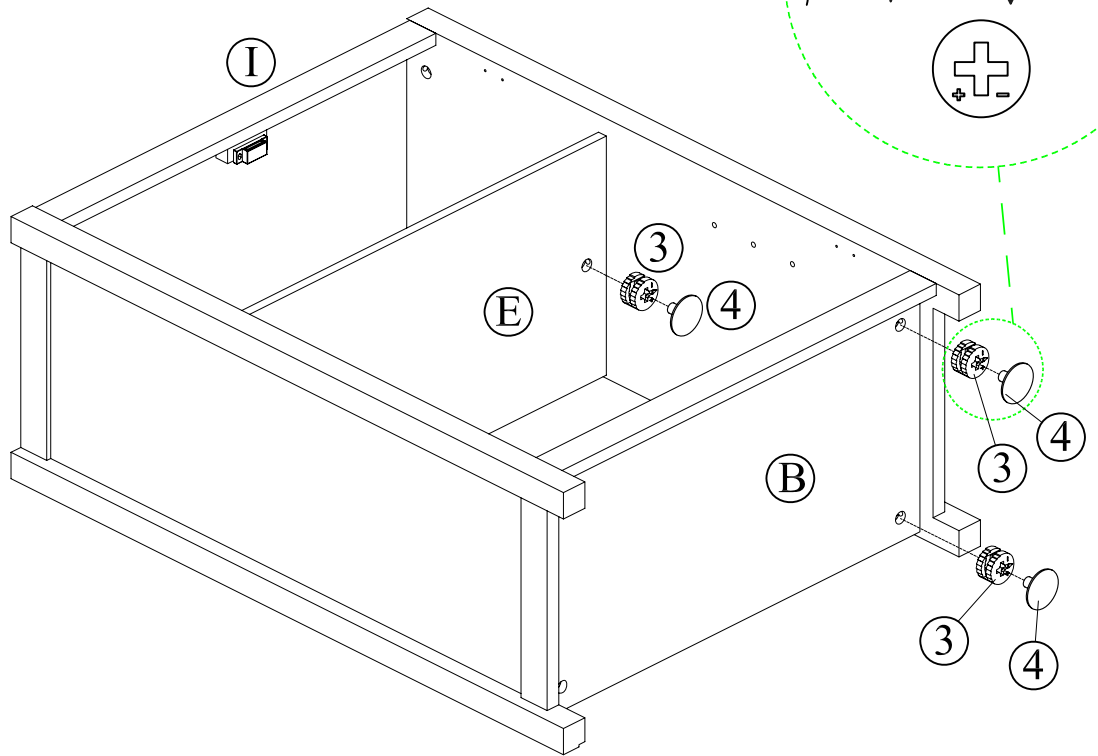
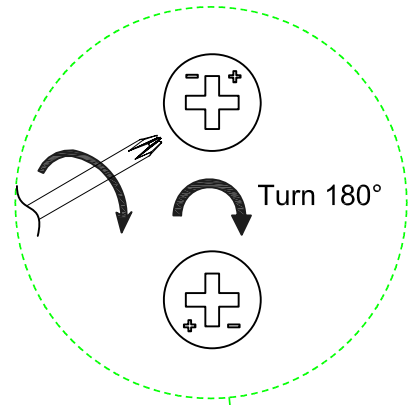
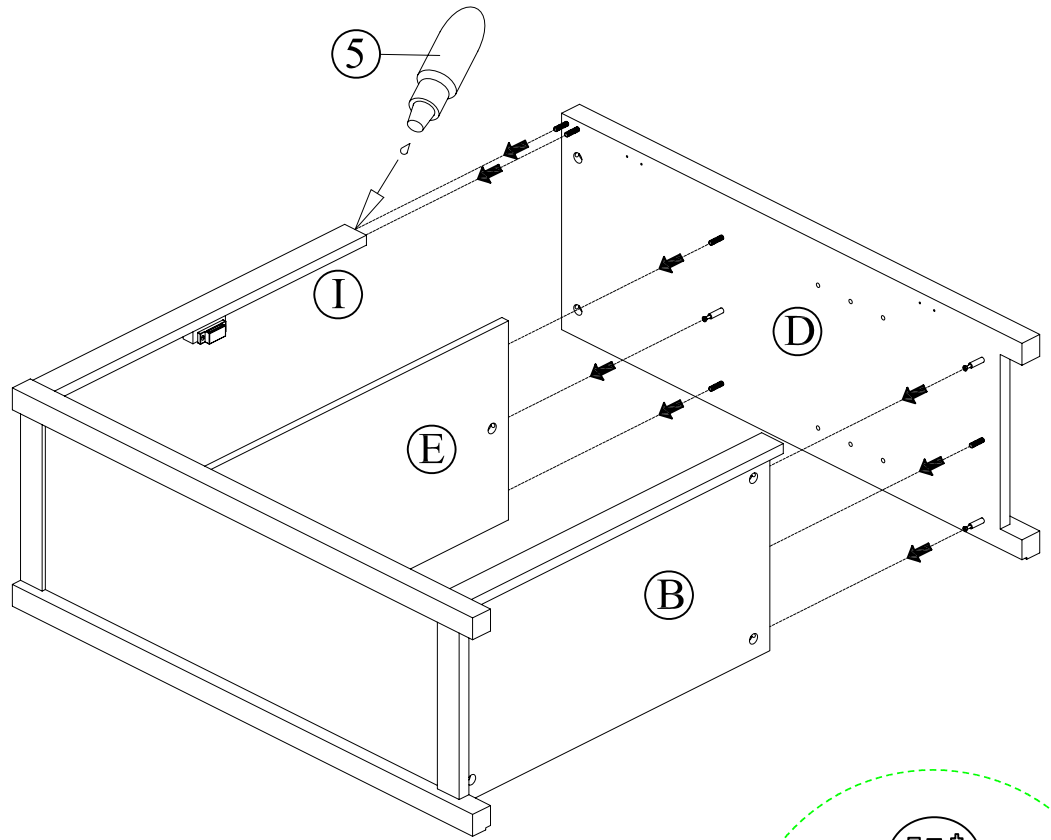


3pcs

4



3pcs



STEP 3:

1. Fill dowel hole half way with Glue #5.
Wooden Dowel #1 may push out excess glue-wipe off excess glue.
2. Connect the Side Panel-Right D and the Upper Front Rail I & the Fixed Level Shelf E & the Bottom Shelf B with the Wooden Dowel #1 and the Pin #2.
3. Insert the Cam Lock #3 into the hole on the Fixed Level Shelf E and the Bottom Shelf B.
4. Tighten the Cam Lock #3 to the Pin #2, insert the Cam Lock Cap #4 when finish.

4

3

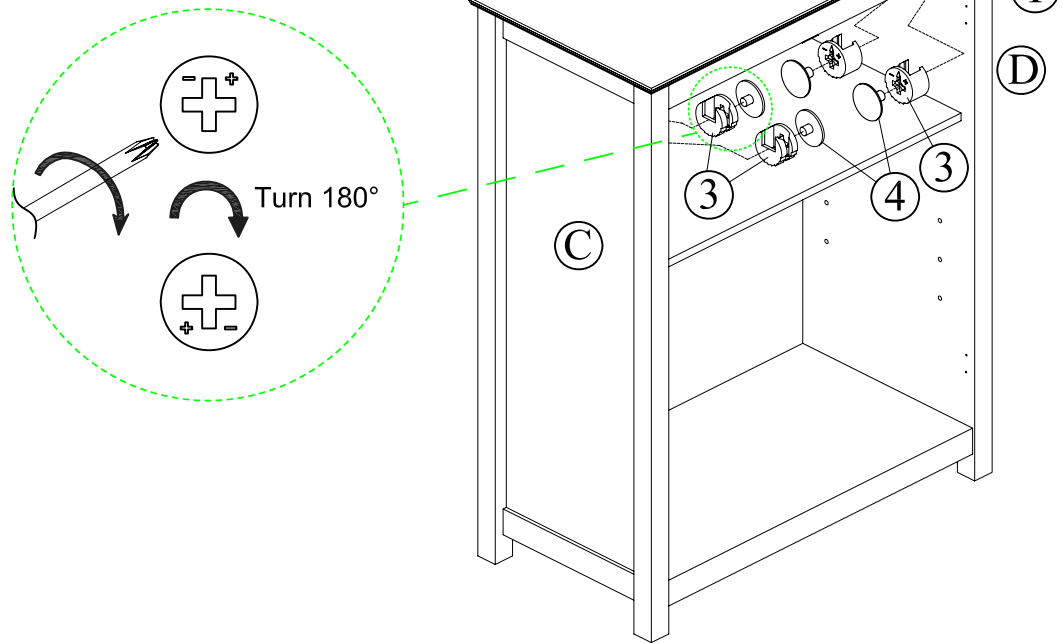
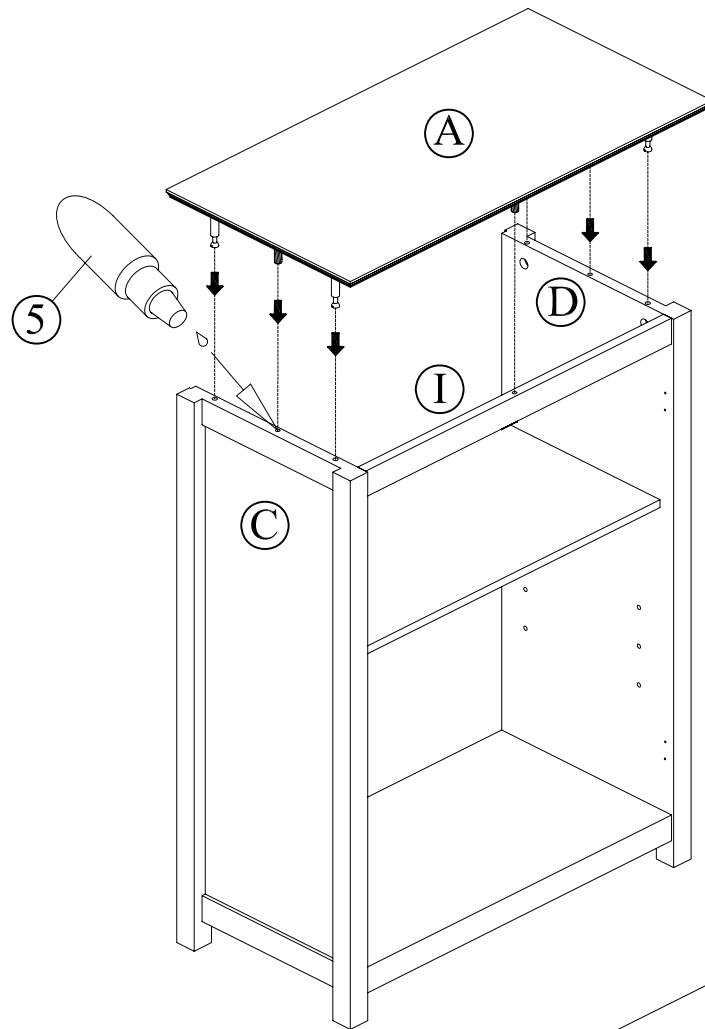


4pcs

4



4pcs

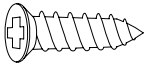


STEP 4:

1. Fill dowel hole half way with Glue #5.
Wooden Dowel #1 may push out excess glue-wipe off excess glue .
2. Connect the Top Shelf A and the Side Panel-Left C & the Side Panel-Right D & the Upper Front Rail I with the Wooden Dowel #1 and the Pin #2.
3. Insert the Cam Lock #3 into the hole on the Side Panel-Left C and the Side Panel-Right D.
4. Tighten the Cam Lock #3 to the Pin #2, insert the Cam Lock Cap #4 when finish.

5

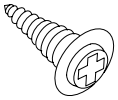
6



Ø3*15 mm

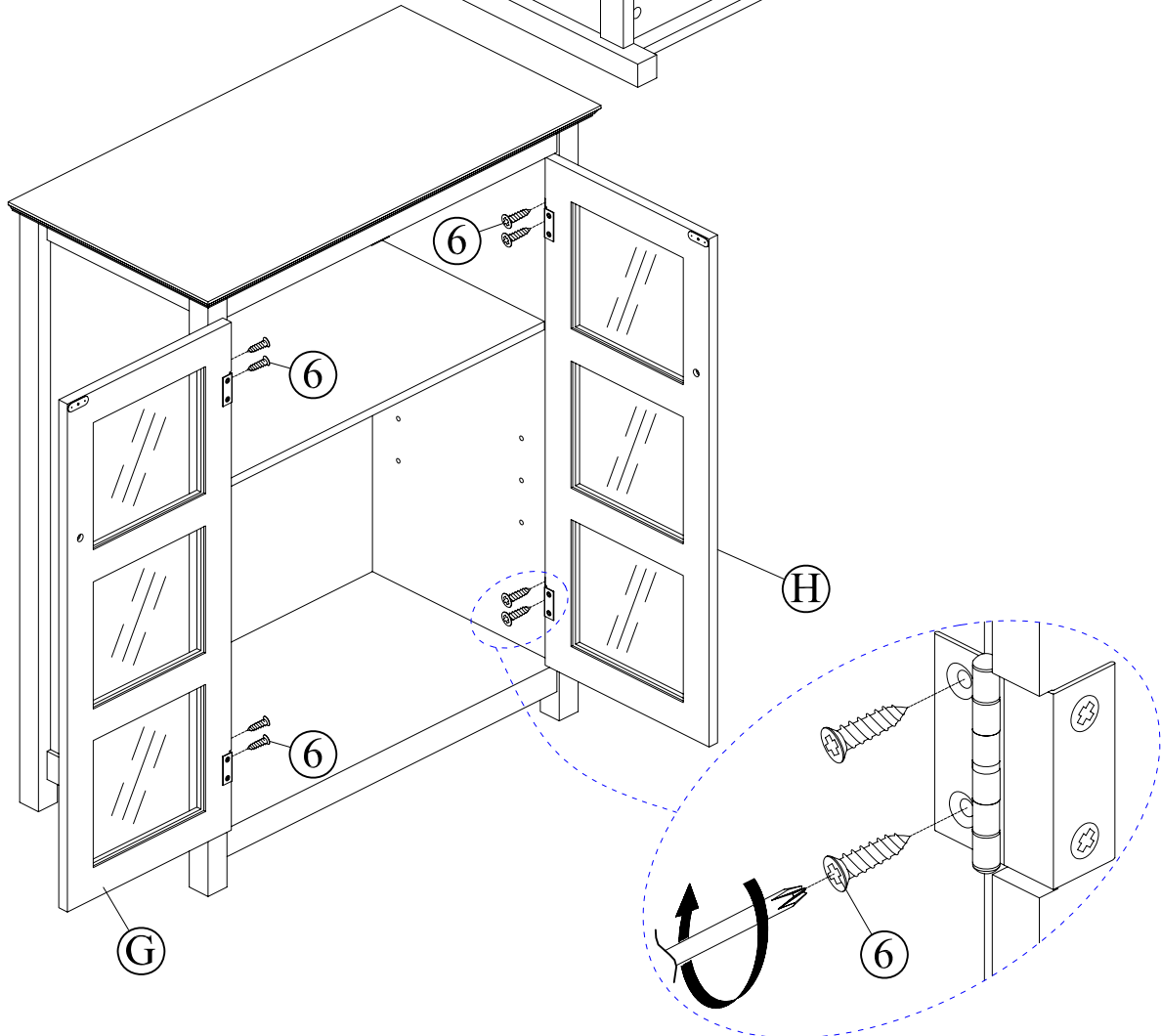
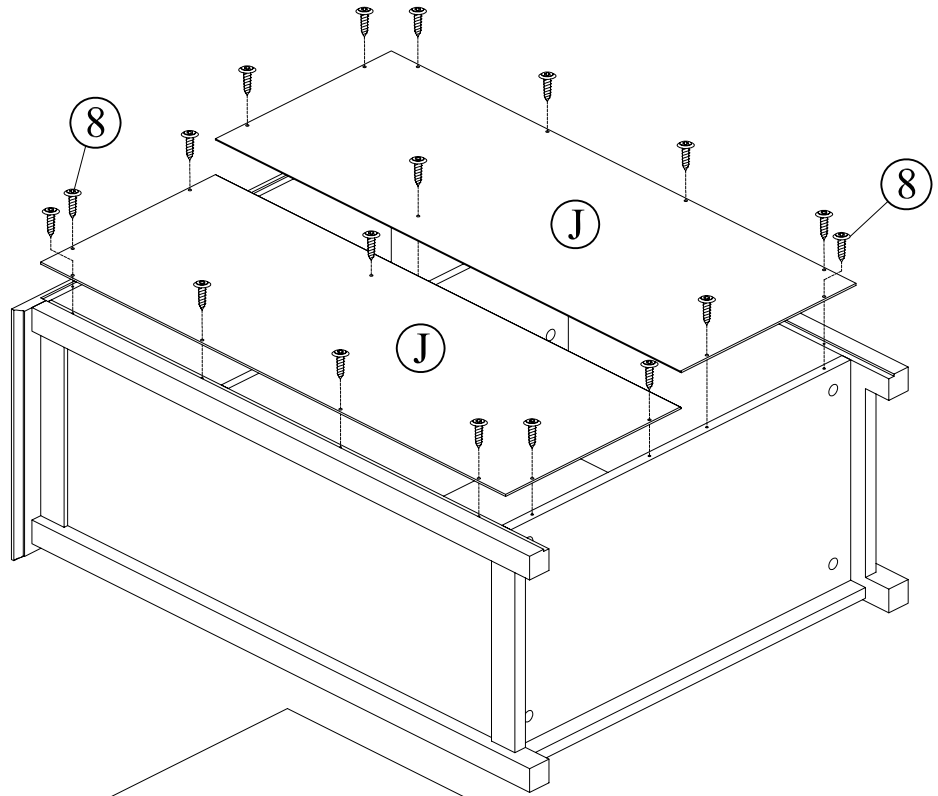
8pcs

8



Ø3*12 mm

18pcs

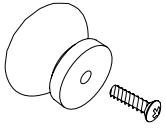


STEP 5:

1. Connect the Rear Panel J and the main body with the Screw #8, tighten the Screw #8.
2. Connect the Left Door G and the Side Panel-Left C with the Screw #6, and pass through the hole on the hinge, then tighten the Screw #6.
3. Connect the Right Door H and the Side Panel-Right D with the Screw #6, and pass through the hole on the hinge, then tighten the Screw #6.

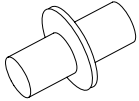
6

7

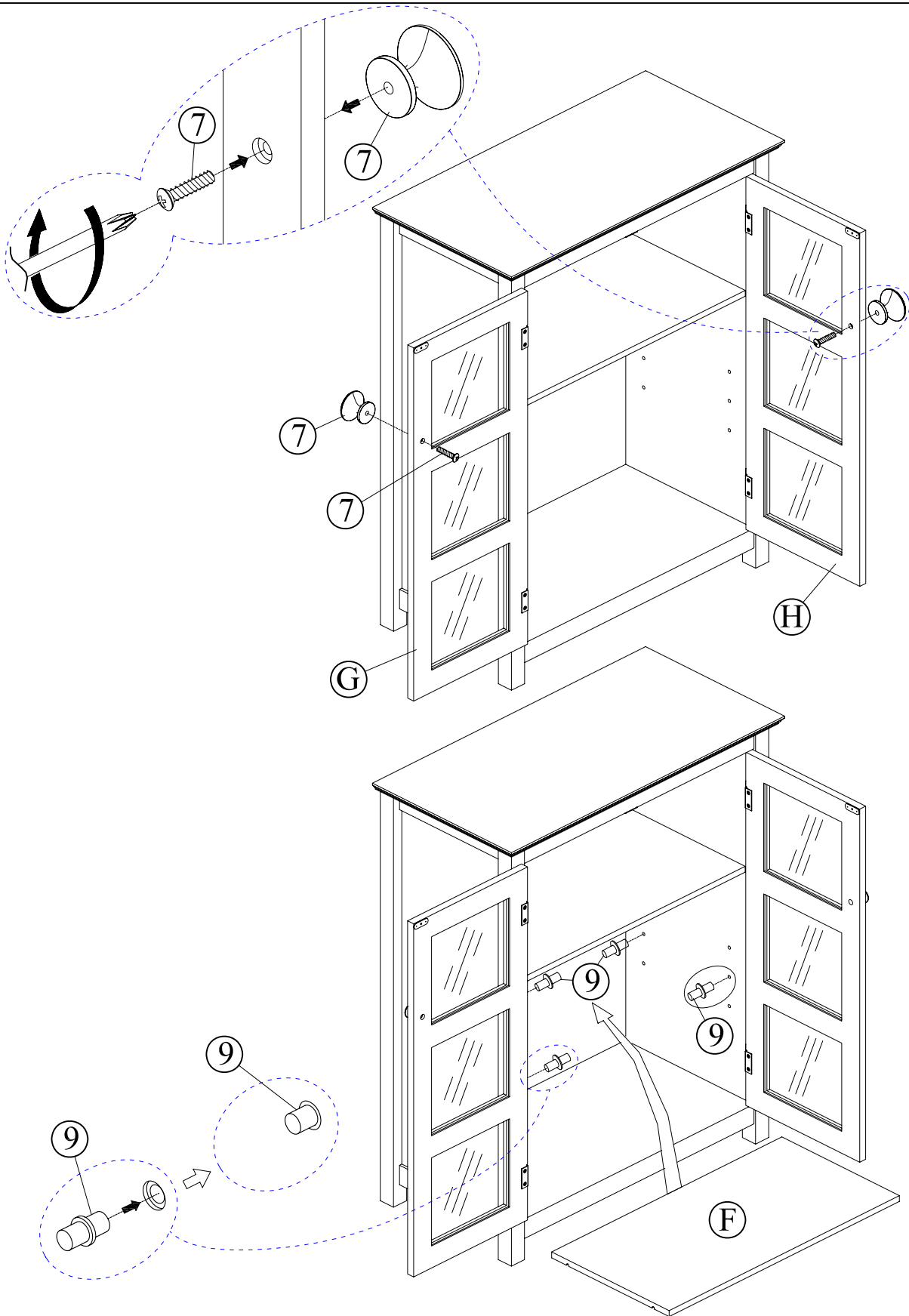


2sets

9



4pcs



STEP 6:

1. Attach the Knob #7 to the Left Door G with the Bolt #7, then tighten the Bolt #7.
2. Attach the Knob #7 to the Right Door H with the Bolt #7, then tighten the Bolt #7.
3. Insert the Shelf Pin #9 into the hole on the Side Panel-Left C and the Side Panel-Right D.
4. Placed the Adjustable Shelf F on the Shelf Pin #9.

California Proposition 65 Warning

WARNING: This product may contain chemicals known to the state of California to cause cancer, and birth defects or other reproductive harm.

ADVERTENCIA: Este producto puede contener sustancias químicas conocidas en el estado de California como causantes de cáncer, defectos de nacimiento u otros daños reproductivos.

For more information:

<https://oehha.ca.gov/proposition-65>