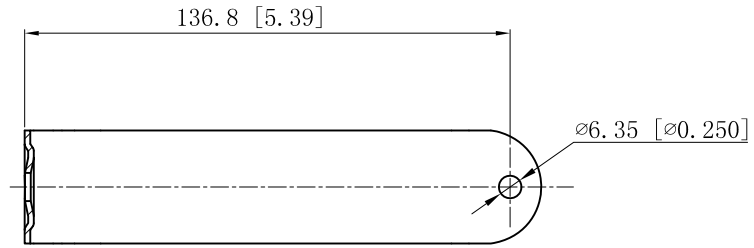
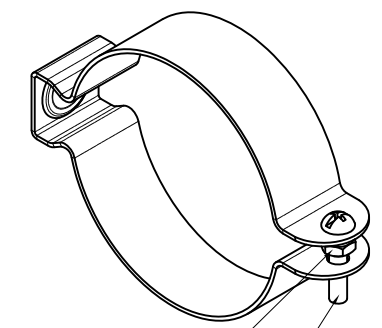
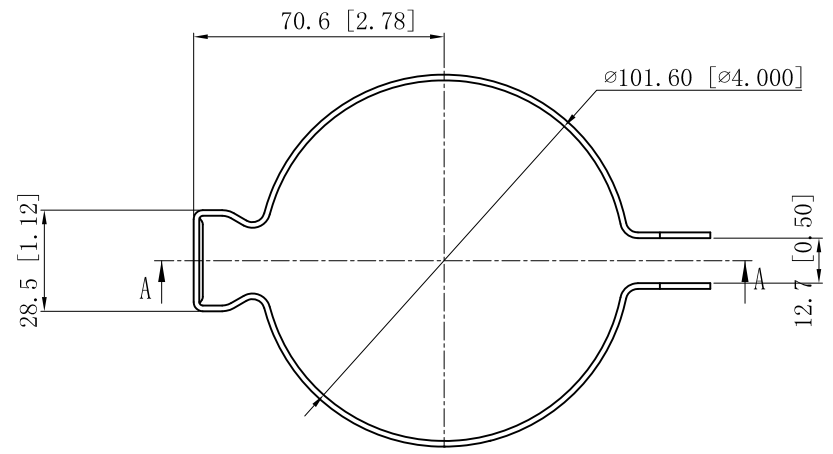
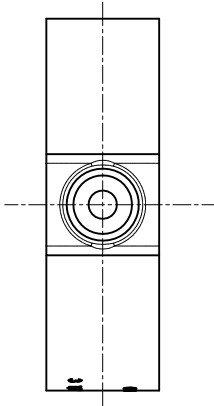


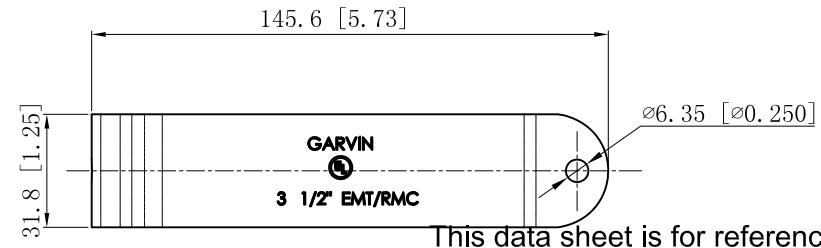
SIDES	BOTTOM
1 PCS #1/4-20×1 1/4 Screws Installed	
1 PCS #1/4-20 Hex Nut Installed	
Material:0.0625"-Stainless steel 316	



CUTAWAY VIEW A-A



#1/4-20,NUT
#1/4-20,SCREW



This data sheet is for reference only .GARVIN INDUSTRIES reserves the right to make changes to the design without prior notice.

DESCRIPTION
TRADE REFERENCE TERMS

STANDARD PACKING	<h1 style="text-align: center;">GARVIN INDUSTRIES</h1>		
10 PCS			
	TITLE	CONDUIT HANGERS	
	SIZE	DWG NO.	REV
	A4	CHSS-350	A
	DATA SHEET		
	www.garvinindustries.com		