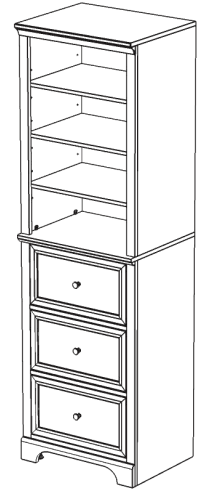


Closet Wall Drawer Unit



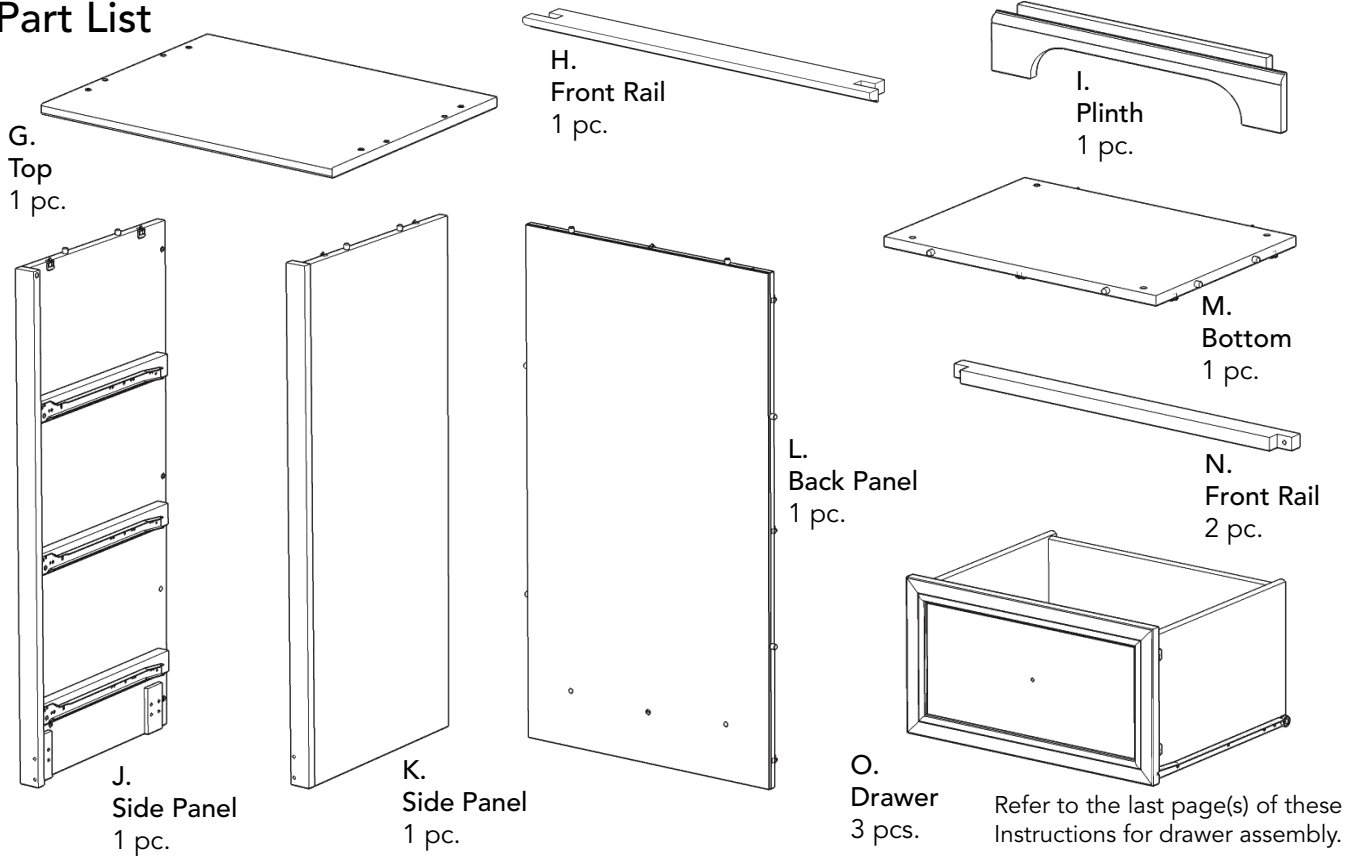
IMPORTANT

Carefully remove all the parts from the carton and place them individually on a soft cloth to prevent scratches or other damage.

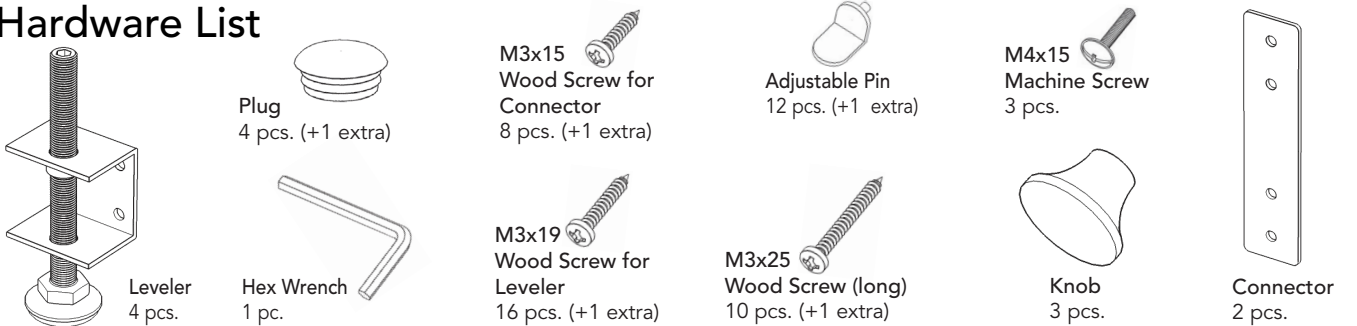
Carefully and strictly follow these assembly instructions to ensure a completed product as designed.

Do not use power tools above 8 volts to assemble.

Part List



Hardware List



Carton 88 5531 751 is also needed for assembly.

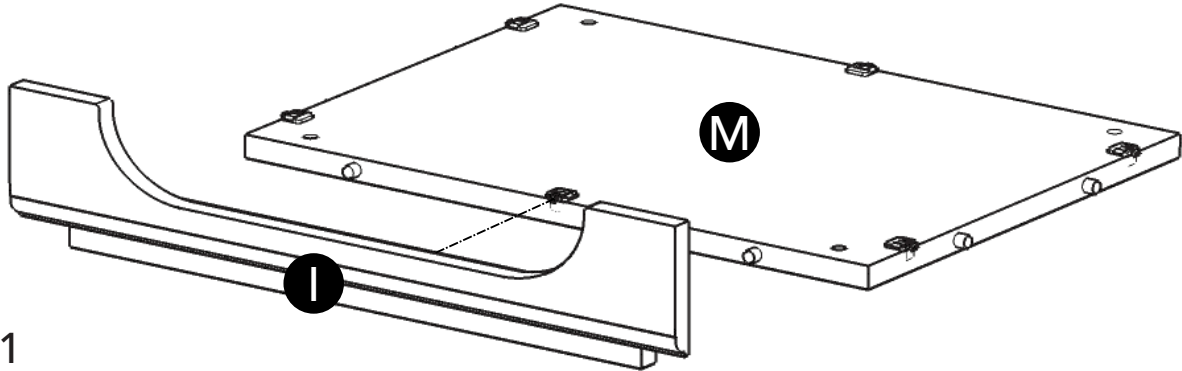
Tool(s) required for assembly: Phillips screwdriver, Level, Drill (8 volts or less), 3/8" Drill Bit

Home Styles Customer Service: www.homestyles-furniture.com,
 servicedesk@homestyles-furniture.com, 888-680-7460, 877-831-0319

Assembly Instructions 2/8

IMPORTANT

- Use a soft cloth between these parts and the floor.
- Do not use power tools above 8 volts to assemble.
- Do not tighten all the bolts until each part is properly assembled.
- The unit must be level to work properly. Use the included adjustable levelers to level.
- Keep Hex Wrench in a safe place as the bolts may need to be tightened up in the future.



STEP 1

Attach Plinth (I) to Bottom (M), then flip the lock. (See Figure 1)

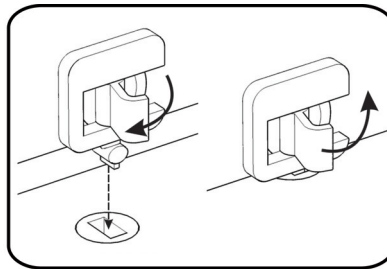
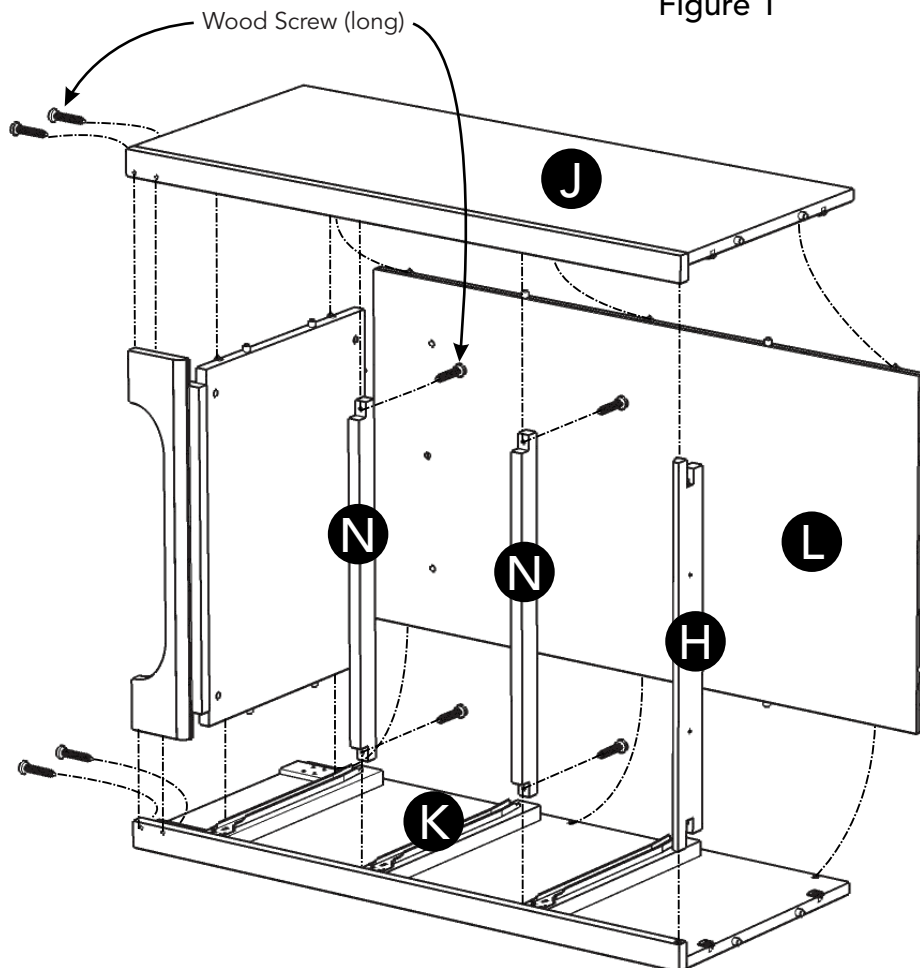


Figure 1



STEP 2

Attach unit to Side Panel (K), then flip the locks.

Attach Back Panel (L) to unit, then flip the locks.

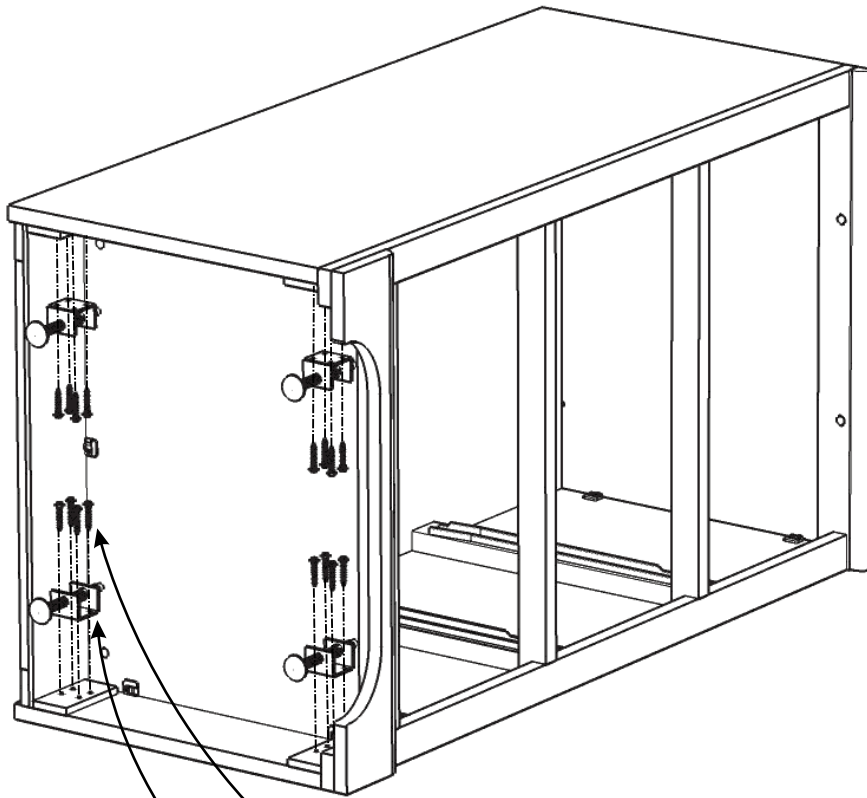
Attach Front Rails (H) and (N) to unit with Wood Screws (long).

Attach Side Panel (J) to unit with Wood Screws (long), then flip the locks.

Assembly Instructions 3/8

STEP 3

Attach Levelers to bottom of unit with Wood Screws for Levelers.
(See Figure 2)



Wood Screw for Leveler

Leveler

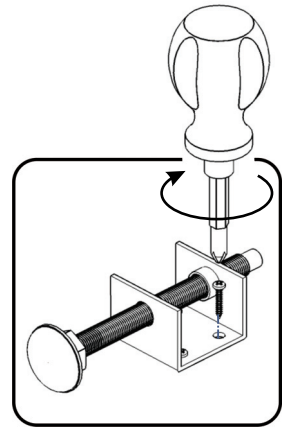
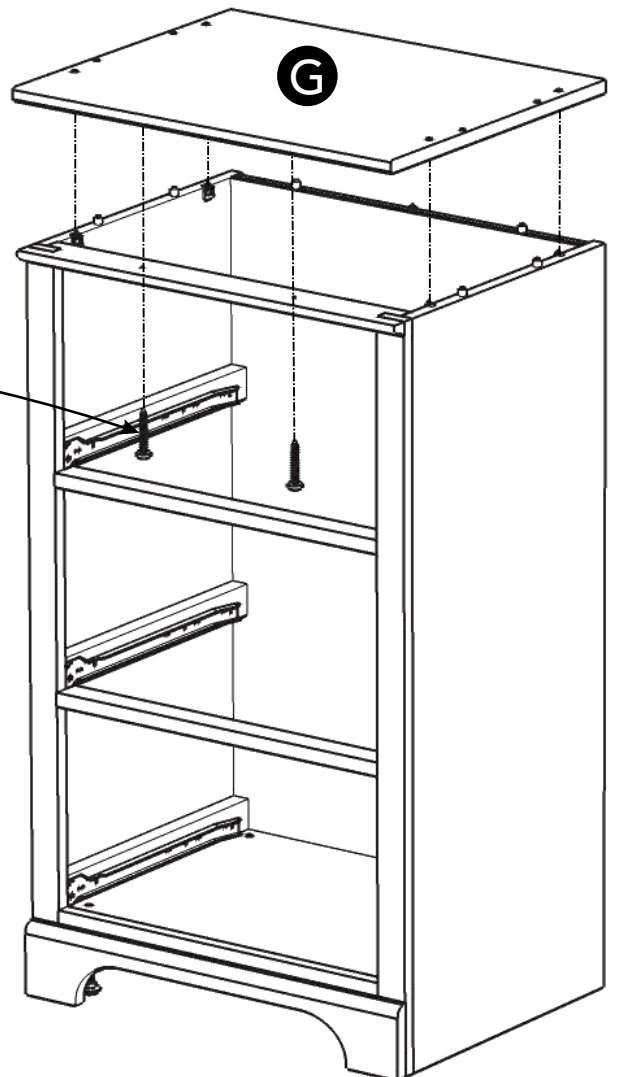


Figure 2

Wood Screw (long)

STEP 4

Attach Top (G) to unit with Wood Screws (long), then flip the locks.

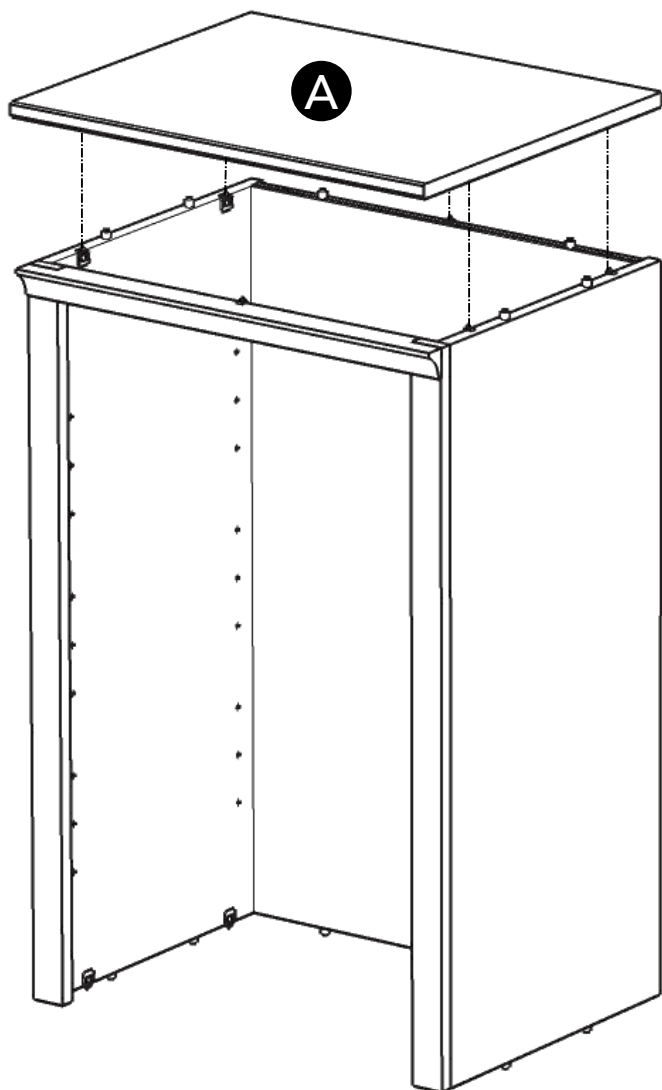
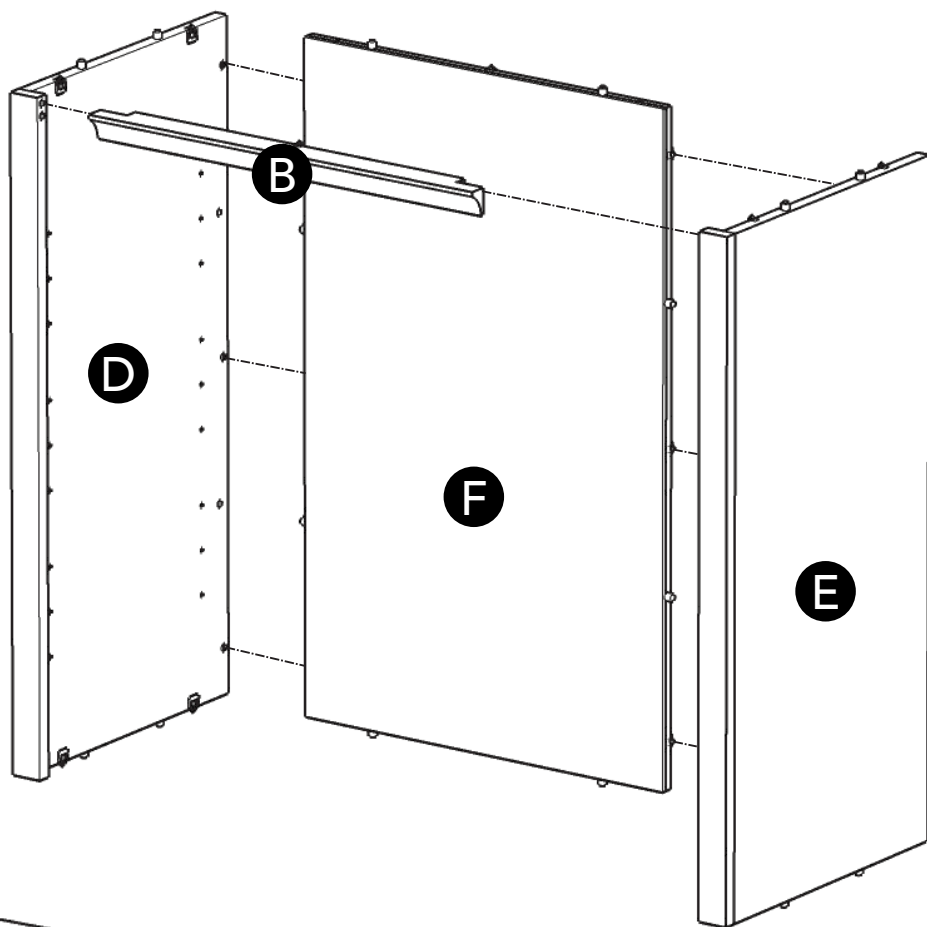


Assembly Instructions 4/8

STEP 5

Attach Back Panel (F) and Front Rail (B) to Side Panel (E), then flip the locks.

Attach Side Panel (D) to unit, then flip the locks.



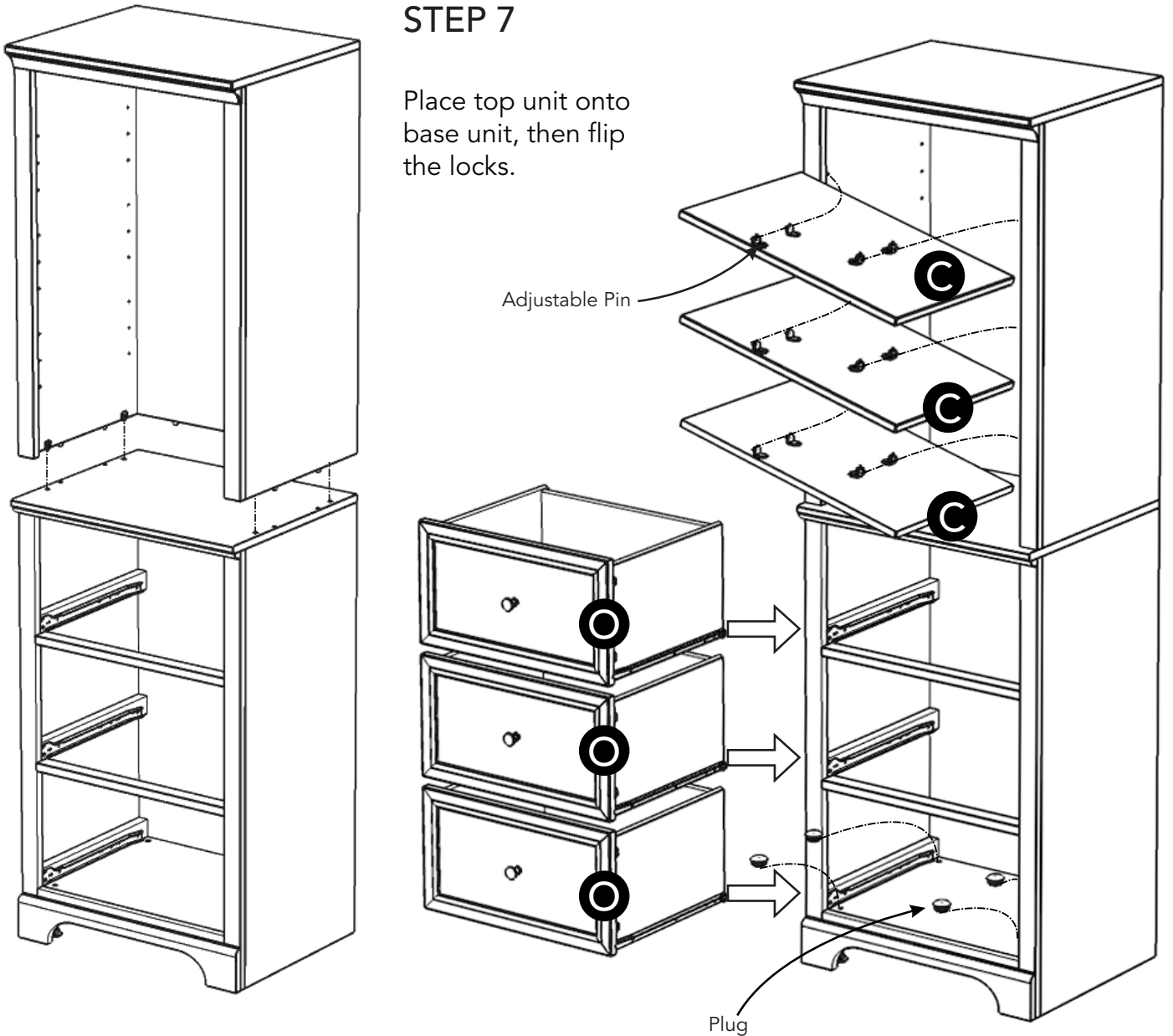
STEP 6

Attach Top (A) to unit, then flip the locks.

Assembly Instructions 5/8

STEP 7

Place top unit onto base unit, then flip the locks.



STEP 8

Place unit at desired location.

Note: If assembling multiple Closet Wall Units together, place all units at desired location.

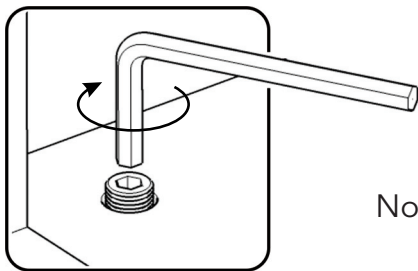


Figure 3

Level the unit(s) by adjusting the adjustable levelers on the bottom of unit(s). (See Figure 3)

Note: Unit(s) must be level to proceed.

Cover all holes with Plugs. (See Figure 4)

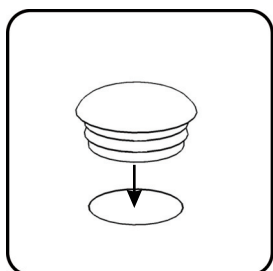


Figure 4

Insert the Adjustable Pins into the side panels at the desired level and place Shelves (C) into position.

Slide Drawers (O) into position.

Assembly Instructions 6/8

IMPORTANT

- To help reduce the risk of the unit tipping over, the Tipover Restraint must be installed following these instructions exactly.

STEP 9

Drill a 3/8" hole in wall in-line with the pre-drilled hole at top of unit.

Move unit.

Insert Anchor into the wall hole and attach Bracket with Wall Screw.

Attach Bracket at pre-drilled hole at top of unit with Wood Screw.

Move unit back into place.

If assembling multiple Closet Wall Units together, go to and complete Step 10 now, then return to and complete Step 9.

Slide Tipover Restraint through Bracket on wall and Bracket on unit. (See Figure 5)

Put tie end of Tipover Restraint into lock end of Tipover Restraint and pull until tight.

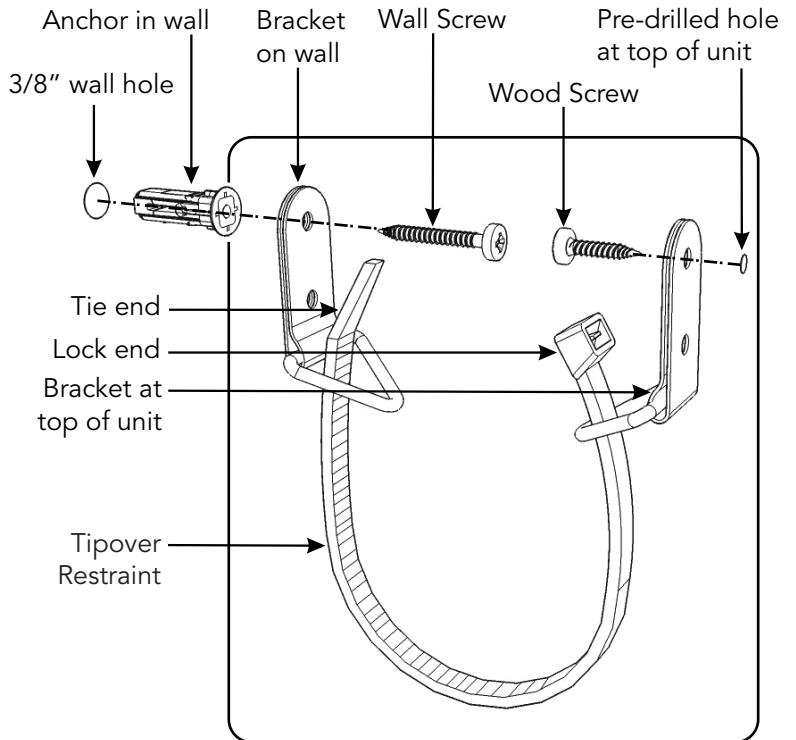
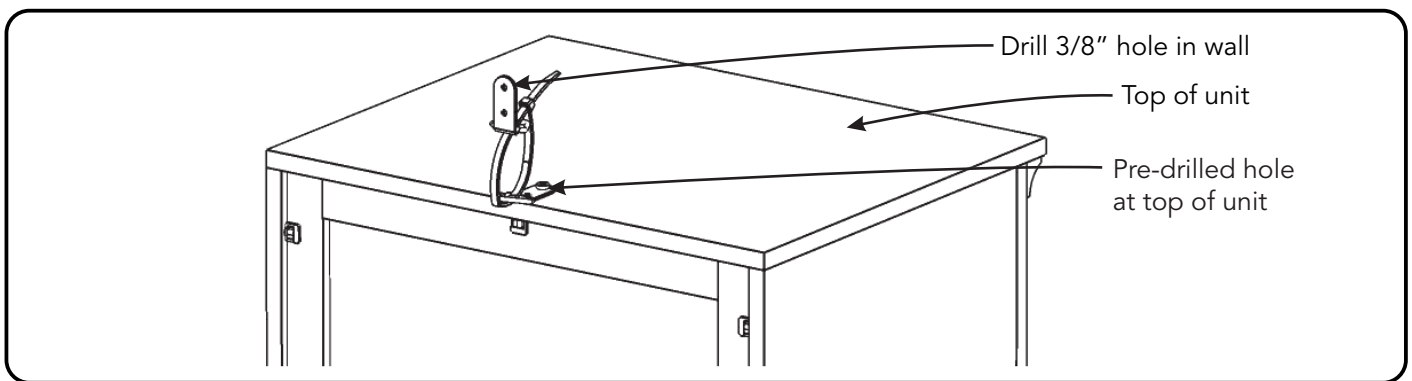
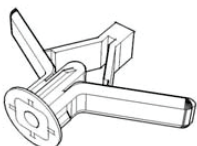


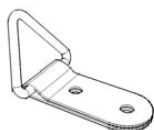
Figure 5



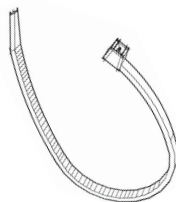
Hardware List



Anchor
1 pc. (+1 extra)



Bracket
2 pcs. (+1 extra)



Tipover Restraint
1 pc. (+1 extra)



M3.5x40
Wall Screw
1 pc. (+1 extra)



M3.5x16
Wood Screw
1 pc. (+1 extra)

Assembly Instructions 7/8

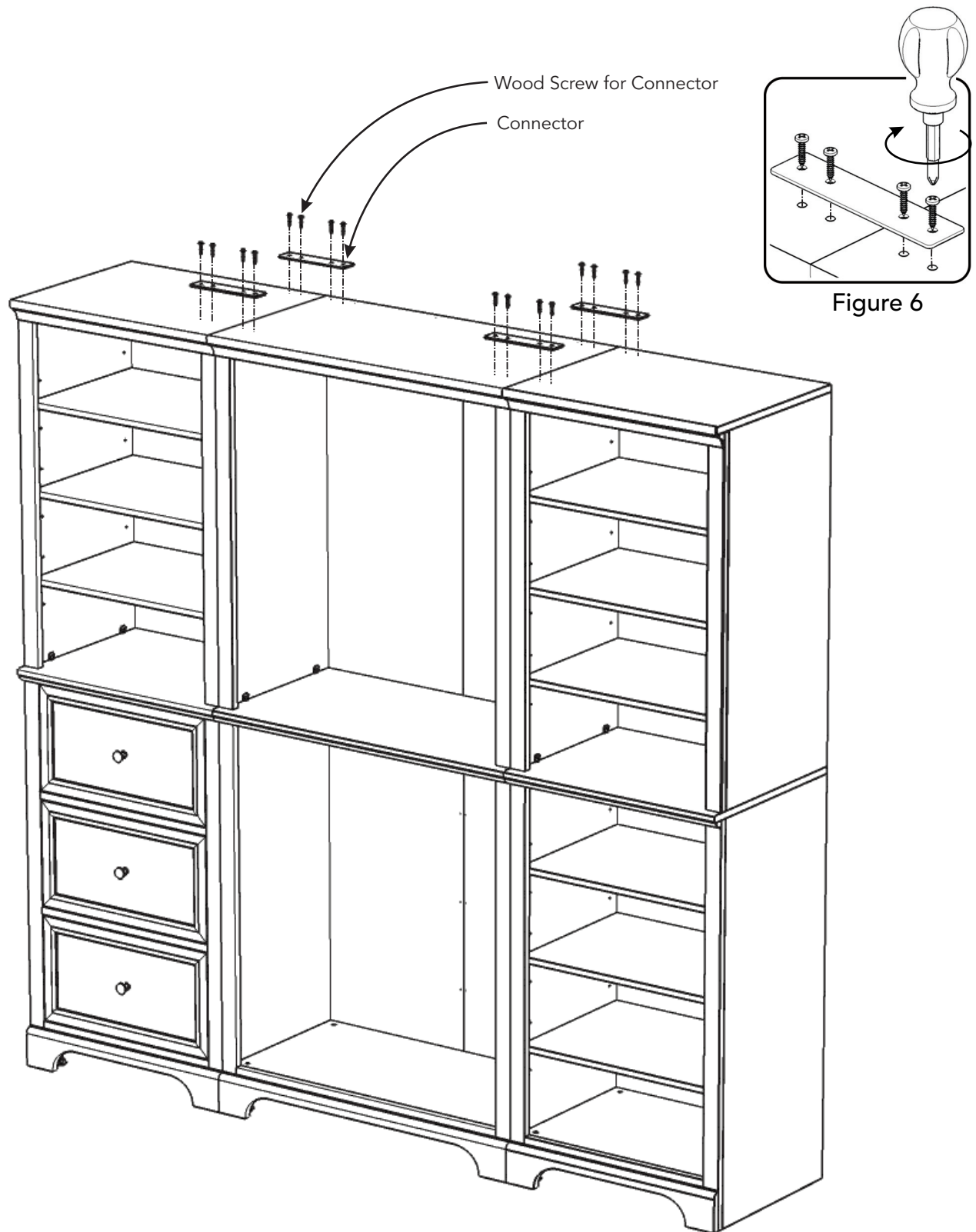


Figure 6

STEP 10

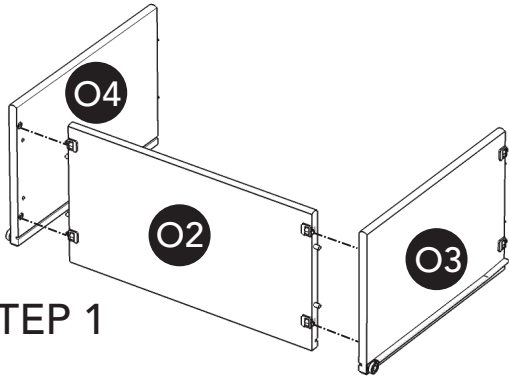
Note: If assembling multiple Closet Wall Units together, complete Step 10.

Attach the top of units together using Connector and Wood Screw for Connectors into the pre-drilled holes. (See Figure 6)

Return to and complete Step 9.

Assembly Instructions 8/8

Drawer (O)



STEP 1

Attach O2 to O3 and O4, then flip the locks. (See Figure A)

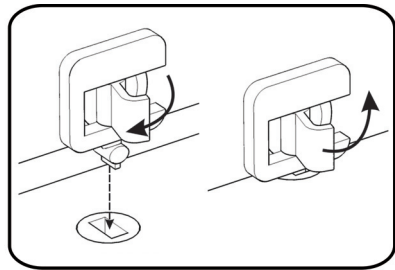
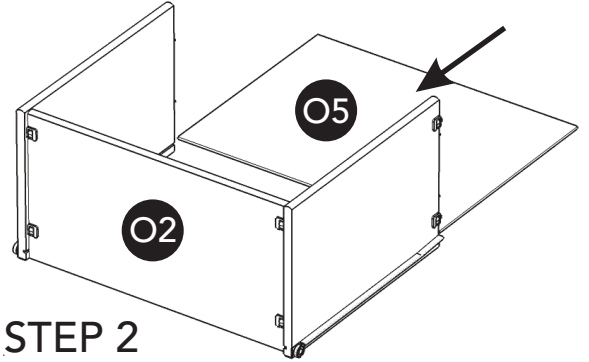
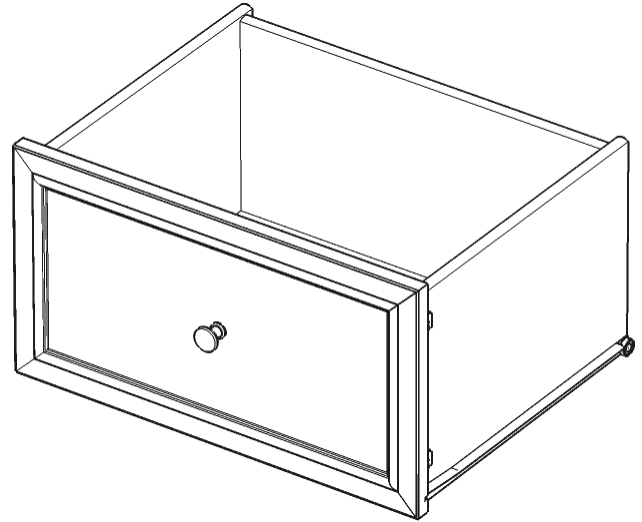
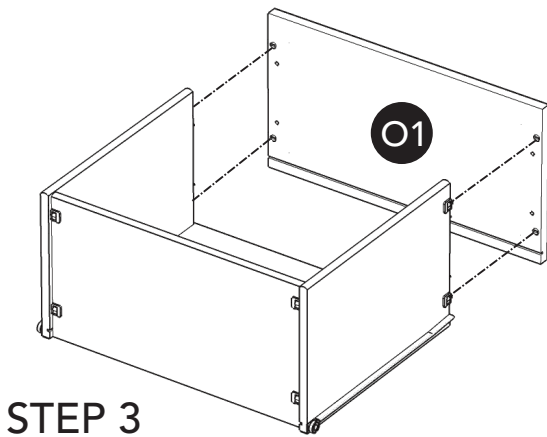


Figure 2



STEP 2

Slide O5 into the grooves in O3 and O4. Be sure to push O5 all the way forward so it meets O2.

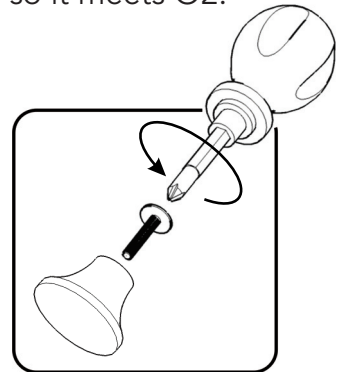


STEP 3

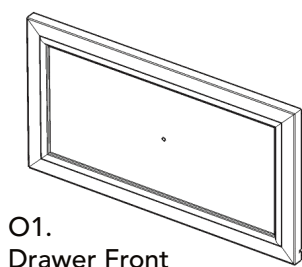
Attach O1 to unit, then flip the locks.

STEP 4

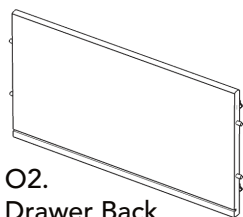
Attach Knob with machine screw.



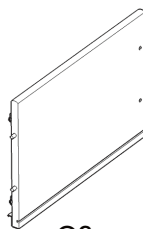
Part List



O1.
Drawer Front
3 pcs.



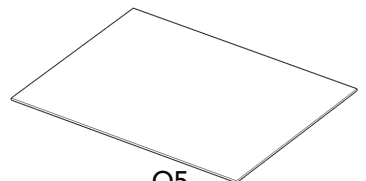
O2.
Drawer Back
3 pcs.



O3.
Drawer Side
3 pcs.



O4.
Drawer Side
3 pcs.



O5.
Drawer Bottom
3 pcs.

CARE INSTRUCTIONS

NEVER

allow liquids to remain on furniture.
Absorption causes parts to warp
and split and finishes to delaminate.

NEVER

use glass cleaners on
finished furniture. Ammonia
chemically attacks the finish.



Do not use power tools
above 8 volts to assemble.
**PREVENT
CRACKING**



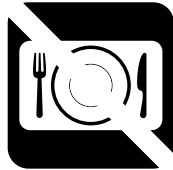
Do not place
in direct sunlight.
**PREVENT
FADING**



Do not write
directly on surface.
**PREVENT
MARKING**



Do not place hot
objects on surface.
**PREVENT
FINISH DAMAGE**



Do not use rubber
based placemats.
**PREVENT
DISCOLORING**



Do not use commercial
waxes and polishes.
**PREVENT
YELLOWING**

CLEAN

with a soft cloth moistened
in lukewarm soap and water.
Buff with a dry clean cloth.



Home Styles will provide replacements free of charge for missing or damaged hardware or parts within 30 days of purchase. Digital images of the defective parts may be required. If the product was not purchased from an authorized retail affiliate, Home Styles is under no obligation to provide replacement parts. Parts are not available for fully assembled items nor are parts available for sale. Replacements for missing or damaged hardware or parts may be requested at:

www.homestyles-furniture.com/customer-service/replacement-parts

Home Styles Customer Service: www.homestyles-furniture.com,
servicedesk@homestyles-furniture.com, 888-680-7460, 877-831-0319