

SPEAKMAN®

Caspian Hand-held Shower/Tub Combination With Grab/Slide Bar SM-7490-ADA-P

DESCRIPTION

Speakman Caspian ADA Hand-held Shower Combination with Grab/Slide Bar unites the best products included in our Caspian Series. The combination begins with our anti-scald balanced pressure valve with integral diverter and stops, featuring a brass body and adjustable temperature limit stop. The wall plate, handle, and diverter handle are designed with definitive Caspian Collection styling. Piston type pressure balancing/ceramic regulating cartridge assembly with built-in check valves. Meets ASME A112.18.1 / CSA B125.1 & ASSE 1016 standards. The featured product in the Caspian hand-held shower combination is the ANYSTREAM® VS-3014 hand shower with a 3¾" outer spray adjustment ring. Five self-cleaning plunger nozzles resist scale build-up and provide 50 spray streams for a full body coverage pattern. The center core nozzle delivers 12 massaging jets and a combination spray is included. Water-conserving pressure compensating AUTOFLO® device reduces flow to 2.5 GPM / 9.46 LPM maximum, to meet existing ANSI A112.18.1 Standard. To control the water supply between the S-2500 shower arm and VS-3014 is our VS-156 ADA compliant volume control. The adjustability of your VS-153 grab/slide bar will allow you to choose the perfect height to rest your hand shower, while still meeting ADA standards. Also included in this package is the brass S-1561 Caspian tub spout, matched to the styling of the other combination components.

SPECIFICATIONS

SM-7400-P Anti-Scald Balanced Pressure Valve:

Connections: ½" female copper sweat inlets
& shower outlet; ½" NPT female
tub outlet

Flow Rate: For use with showerheads rated at
2.0 GPM (7.6 LPM) or higher.

VS-3014 Hand-Held Shower:

Supply: ½" NPT female
Flow Rate: 2.5 GPM / 9.46 LPM MAX

S-2500 Shower Arm:

Supply: ½" NPT male inlet
Outlet: ½" NPT male outlet

VS-156 Volume Control:

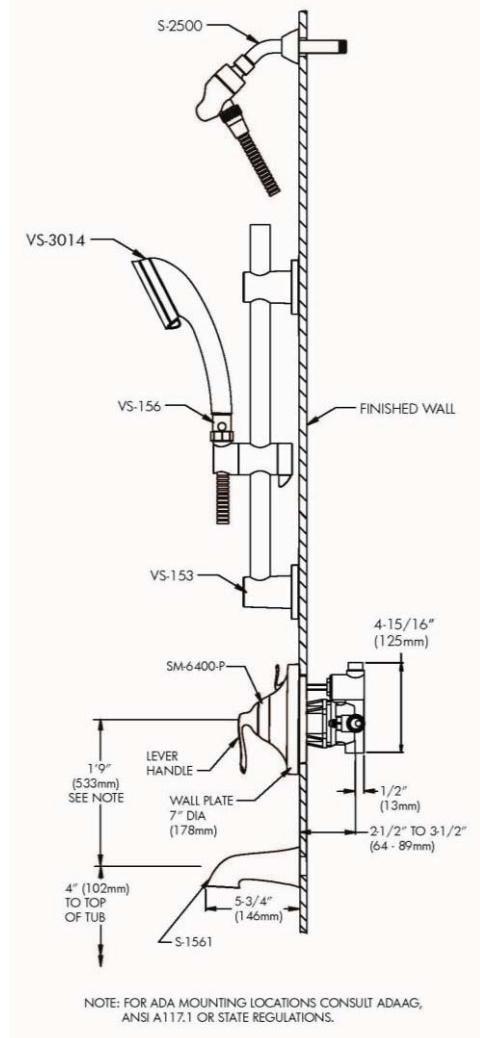
Supply: ½" NPSM male inlet
Outlet: ½" NPSM female outlet

S-1561 Tub Spout:

Supply: ½" copper pipe slip fit

INSTRUCTIONS

See individual products for installation of the
components and warranty information.



ROUGH-IN

SPEAKMAN®

400 Anchor Mill Rd. New Castle, DE 19720
03/12 Visit us on the web at www.speakmancompany.com

Phone: 800-537-2107

Fax: 800-977-2747
IOM-SM-7490-ADA