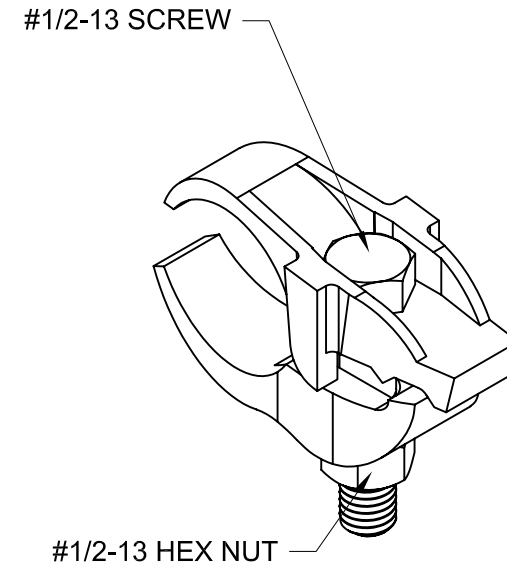
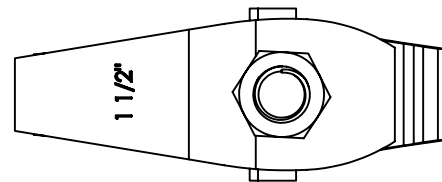
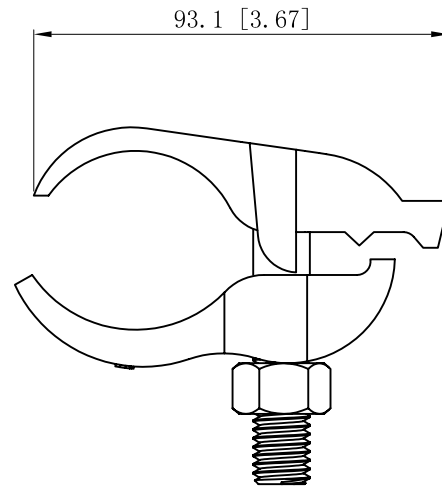
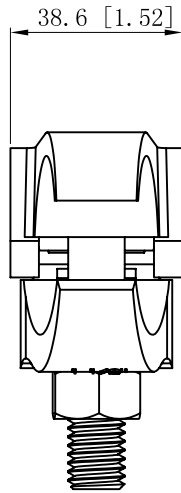


SIDES	BOTTOM
1 pcs #1/2-13×2-1/2 screw install	
1 pcs #1/2-13 hex nut install	
Material: malleable casting, Zinc plated	



This data sheet is for reference only .GARVIN INDUSTRIES reserves the right to make changes to the design without prior notice.

DESCRIPTION
TRADE REFERENCE TERMS

STANDARD PACKING
25 PCS

GARVIN INDUSTRIES		
CONDUT CLAMPS		
SIZE	DWG NO.	REV
A4	PAR150	
DATA SHEET		