

AXOR Urquiola
Thermostatic Trim HighFlow
Finishes : **chrome** Part no. : **11731001**



Description

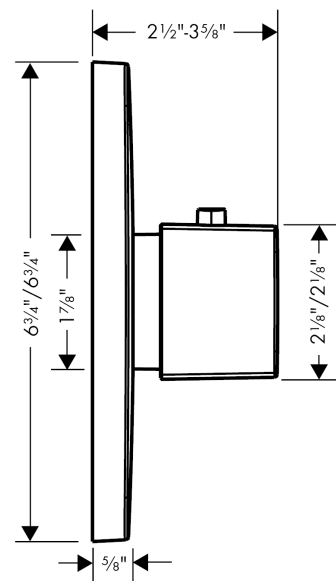
Features

- Flow: 13.0 GPM (49.2 L/Min)
- Thermostatic cartridge
- Anti-scald 100° safety stop

Product image



Scale drawing

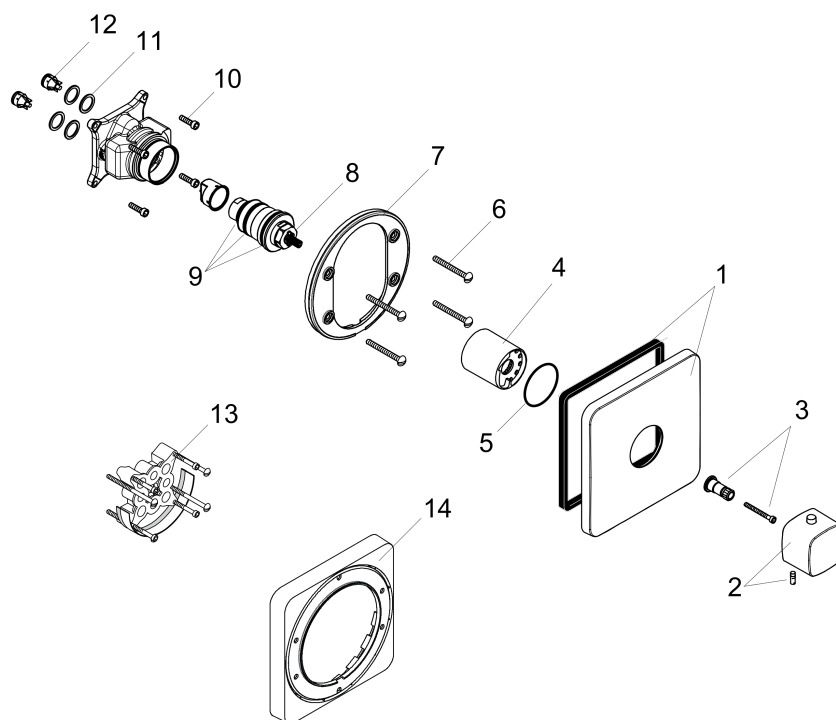


AXOR Urquiola
Thermostatic Trim HighFlow
Finishes : **chrome** Part no. : **11731001**



Exploded drawing

Year of production: >06/10



AXOR Urquiola
Thermostatic Trim HighFlow
 Finishes : **chrome** Part no. : **11731001**



Spare parts list

Year of production: >06/10

Pos.	Description	Part no.	PC	PU
1	escutcheon	95173000	0	1
2	handle for thermostat	11791001	0	1
3	adapter for handle	96435000	0	1
4	sleeve	97439000	0	1
5	O-Ring 48x3	95508000	0	1
6	set of fixing screws	96454000	0	1
7	holder for escutcheon	98793000	0	1
8	thermostat cartridge	96633000	0	1
9	sealing set	96636000	0	1
10	set of screws	96525000	0	1
11	O-ring 16x2	98133000	0	1
12	set of non return valves DW 15	97350000	0	1
13	extension 25 mm	13595000	0	1
14	extension 22 mm	98860000	0	1
a	base body	01850181	0	1