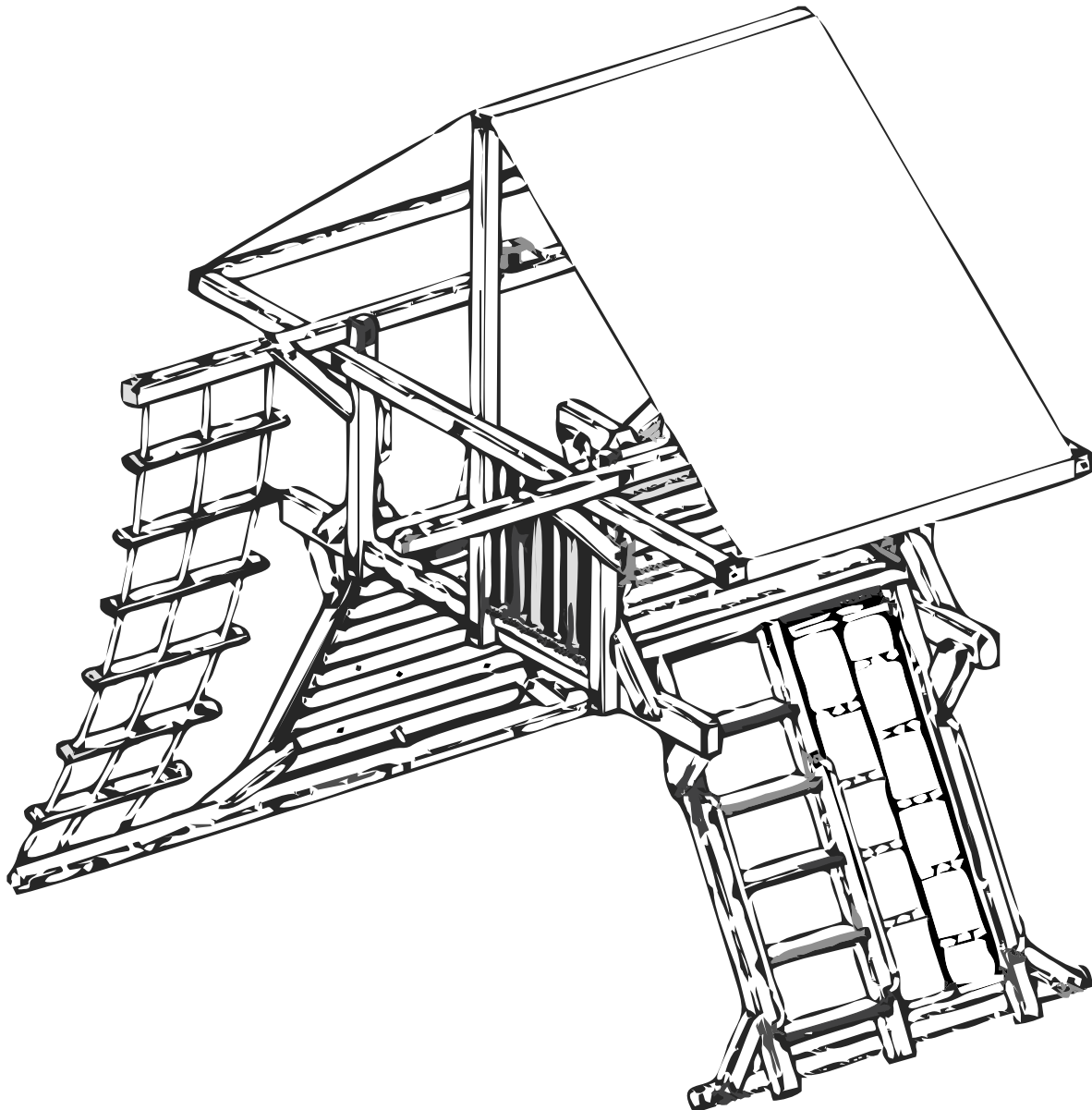


ChildLife[®]

Playsets

PG115

(TARZAN TOWER)



PA-MA-0011-01

I N T R O D U C T I O N

Welcome to our family of ready-to-build backyard play equipment. CHILDLIFE playsets are designed with ease of assembly in mind and we provide these step-by-step installation instructions.

After reading the information below, locate your structure site and carefully unpack parts. As you unpack your playset, keep the parts identification sheet handy and become familiar with each part before beginning assembly. Remember that a little extra time spent familiarizing yourself with the parts and instructions before you begin will help you avoid mistakes and save you time later.

Choosing A Location For Your Playset

When selecting your structure site, always keep the child's safety in mind. Here are some recommendations to help you create a safe play area.

A. The playset should be located on level ground. The stationary components such as ladders and slides are **REQUIRED** to be a minimum of six feet from any structure or obstruction such as a fence, garage, house, tree or overhanging branches, electrical wires or clotheslines. Any swinging equipment is also **REQUIRED** to be a minimum distance twice the height of the swing beam away from these obstructions or structures as well. We also recommend that you do not install your playset near a lake, river, swimming pool or other water hazard.

B. The U.S. Consumer Product Safety Commission (CPSC) recommends that you install and maintain a resilient surface under your play equipment. The CPSC's Consumer Information Sheet for Playground Surfacing Materials at the end of this manual. A resilient surface, should be installed after the equipment has been completely assembled according to these instructions. The equipment must rest on solid ground. Please note that this product has a maximum fall height of 8'.

Do not install home playground equipment indoors, or over concrete, asphalt, packed earth, grass, carpet or any other hard surface. A fall onto a hard surface can result in serious or fatal injury.

Responsible on-site adult supervision is one of the most important contributions to children's safety that you can make. CHILDLIFE strongly recommends on-site adult supervision of children of all ages. Safe swinging and climbing skills need to be taught to children, just like any other physical activity.

The weight limit for any single user on CHILDLIFE play equipment is 200 pounds. Limit the number of users to one on each swing. The tower portion of the play system will accommodate four (4) additional users.

When the time comes to disassemble and dispose of the play equipment, do so in such a way that no hazards will exist at the time the equipment is discarded.

Maintaining Your Playset

Here are some maintenance tips required to insure safe enjoyment of your equipment for years to come.

A. At the beginning of each usage season and every two weeks during, check: nuts and bolts and tighten as needed, swing seats, chains, ladders, slides, rope and wood components for signs of deterioration and replace if necessary.

B. On a yearly basis, we recommend that you coat your playset with a sealant or preservative. You may also want to spot sand any areas prior to sealing. Be sure that the sealant you select is non-toxic and child safe.

C. Do not use line trimmers or "weed eaters" around your play equipment. The line will remove both stain and wood from uprights and base pieces. Any damage resulting from this type of abuse is not covered under our limited warranty.

D. Remove plastic swing seats and take indoors or do not use when the temperature drops below 0° F.

**If you have any questions about your playset, or are in need of replacement parts, call 1-800-GO-SWING.
Please keep these instructions for future reference.**

S A F E T Y I N S T R U C T I O N S

Teach Children:

- Not to walk close to, in front of, behind, or between moving items.
- Not to twist the swing ropes, or loop them over the top support bar, since this may reduce the strength of the rope.
- Not to swing empty swing seats.
- Not to swing sideways into the path of adjacent swings.
- Not to use the equipment in a manner other than that for which it is intended.
- Not to get off the equipment while it is in motion.
- Not to jump off the tower.
- Not to climb or swing when they are wet or when the equipment is wet.
- To sit in the center of the swings with their full weight on the seats.
- To hold on to swings and climbers with both hands.
- Not to stand in the swing seats.
- Not to ride or leave bicycles or other toys in the swing area.
- Not to use hammers, saws, nails, or wrenches on the equipment.
- Not to swing so high that chains become slack, or above the height of the swing support.
- Not to jump on a slide.
- Not to climb on top of the swing support.
- Not to attach to the playground equipment any item that is not specifically designed for use with the equipment, such as (but not limited to) jump ropes, clotheslines, pet leashes, cables, and chains. These may become strangulation hazards.
- To slide feet first, never head first.
- To watch for other children while swinging or playing near the equipment.

In Addition, Adults Must:

- Limit climbing and swinging heights to each child's ability.
- Verify that suspended climbing ropes are secured at both ends.
- Verify that suspended climbing ropes cannot be looped back on themselves.
- Dress children appropriately for play. Use well-fitting shoes that do not have slippery soles.
- Avoid ponchos, scarves, hoods, loose-fitting clothing, neckties, and any clothing with a drawstring. Serious injury could result should any part of the children's clothing become entangled in the equipment.
- Do not allow children to play wearing helmets.
- Remember that children are inventive. When they develop games that are unsafe, be alert and change the rules.

P G 1 1 5 (5 f t) P A R T S L I S T

Parts

PART #	Description	QTY
PG-44-0043	70" Center Combo Ladder Leg	1
PG-26-0029	31" Center Deck Support	2
PG-44-0048	88" Center Post	2
PG-24-0052	64" Center Tarp Board	1
PG-44-0044	70" Combo Wood Pipe Ladder Leg	1
PG-44-0042	70" Combo Wood Step Ladder Leg	1
PG-44-0046	43 1/2" Corner Post Left	2
PG-44-0047	43 1/2" Corner Post Right	2
PG-26-0028	57" Deck Large Board	8
PG-24-0056	26 1/2" Panel Mount	3
PG-24-0055	31" Deck Backboard	4
PG-24-0053	71" End Tarp Board	2
PG-44-0045	75" Ground Runner	1
PG-46-0007	Left 30 Deg Brace	2
PG-44-0051	Left 45 Deg Slim	4
PG-44-0054	25" Left 45 Deg Slim	1
PG-44-0055	25" Right 45 Deg Slim	1
PG-46-0006	107" Main Beam	2
PG-24-0051	26 1/2" Rail Bottom	3
PG-23-0001	27" Rail Spindle	18
PG-24-0050	26 1/2" Rail Top	3
PG-46-0008	Right 30 Deg Brace	2
PG-44-0052	Right 45 Deg Slim	4
PG-26-0023	50" rock wall board-1 rock	4
PG-26-0024	50" Rock Wall Board- 1 Rock	2
PG-26-0025	50" Rock Wall Board-2 Rock	5
PG-44-0038	70" Rock Wall Leg	2
PG-26-0026	50" Rock Wall Board w/Rope Hole	1
PG-44-0053	11" Rope Block	1
PG-44-0040	108 1/2" Rope Ladder Arm	1
PG-44-0039	110" Rope Ladder Runner	1
PG-24-0057	30" Rope Rungs	6
PG-44-0050	132" SB Top Joist	1
PG-44-0056	26 1/2" Slide Block	1
PG-24-0054	57" Small Deck Board	6
PG-26-0027	21 1/2" Step Board	5
PG-44-0049	132" Top Joist	1
PG-44-0041	108 1/2" Accessory Arm	1

Hardware

PART #	Description	QTY
PG-HW-B009	3/8"-16 x 4.5" HEX BOLT	4
PG-HW-B010	3/8- 16 x 2" Socket Head Screw	16
PG-HW-B013	1/2"-13 x 6" HEX BOLT	20
PG-HW-L001	1/4" x 1.5" LAG SCREW	16
PG-HW-L002	1/4" x 4.5" LAG SCREW	34
PG-HW-L012	1/4" x 3" Lag Screw	18
PG-HW-L010	3/8" X 5" Lag Screw	13
PG-HW-L011	3/8" X 3" Lag Screw	36
PG-HW-N001	3/8" NYLON LOCKNUT	4
PG-HW-N002	3/8"-16 X 1/2" T-NUT	16
PG-HW-N004	1/2" NYLON LOCKNUT	20
PG-HW-N005	1/2"-13 ACORN NUT	20
PG-HW-N008	3/8" STD NUT	2
PG-HW-S001	#10 X 1" ROUND HEAD SCREW	14
PG-HW-S009	#8X2 1/2 PH FLAT HD WDSCR	156
PG-HW-W001	#10 FLAT WASHER	14
PG-HW-S011	#10X3" PH FLAT HD WDSCR	48
PG-HW-W002	1/4" FLAT WASHER	68
PG-HW-W004	3/8" FLAT WASHER	59
PG-HW-W005	1/2" FLAT WASHER	42
PG-HW-B014	3/8" X 4" CARRIAGE BOLT	2
PG-HW-W008	3/8" LOCK WASHER	2
PG-HW-N003	3/8"-16 ACORN NUT	2

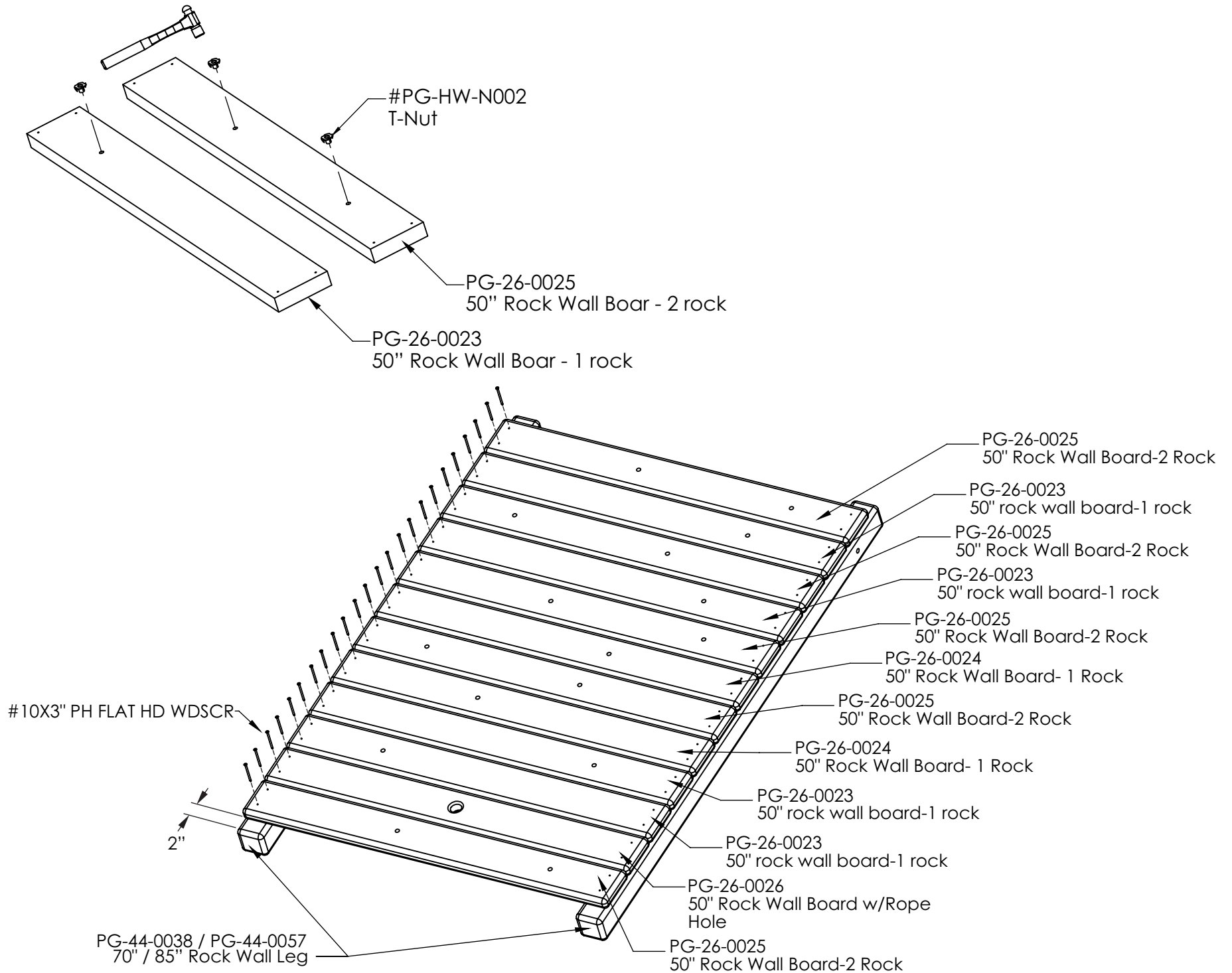
Accessories

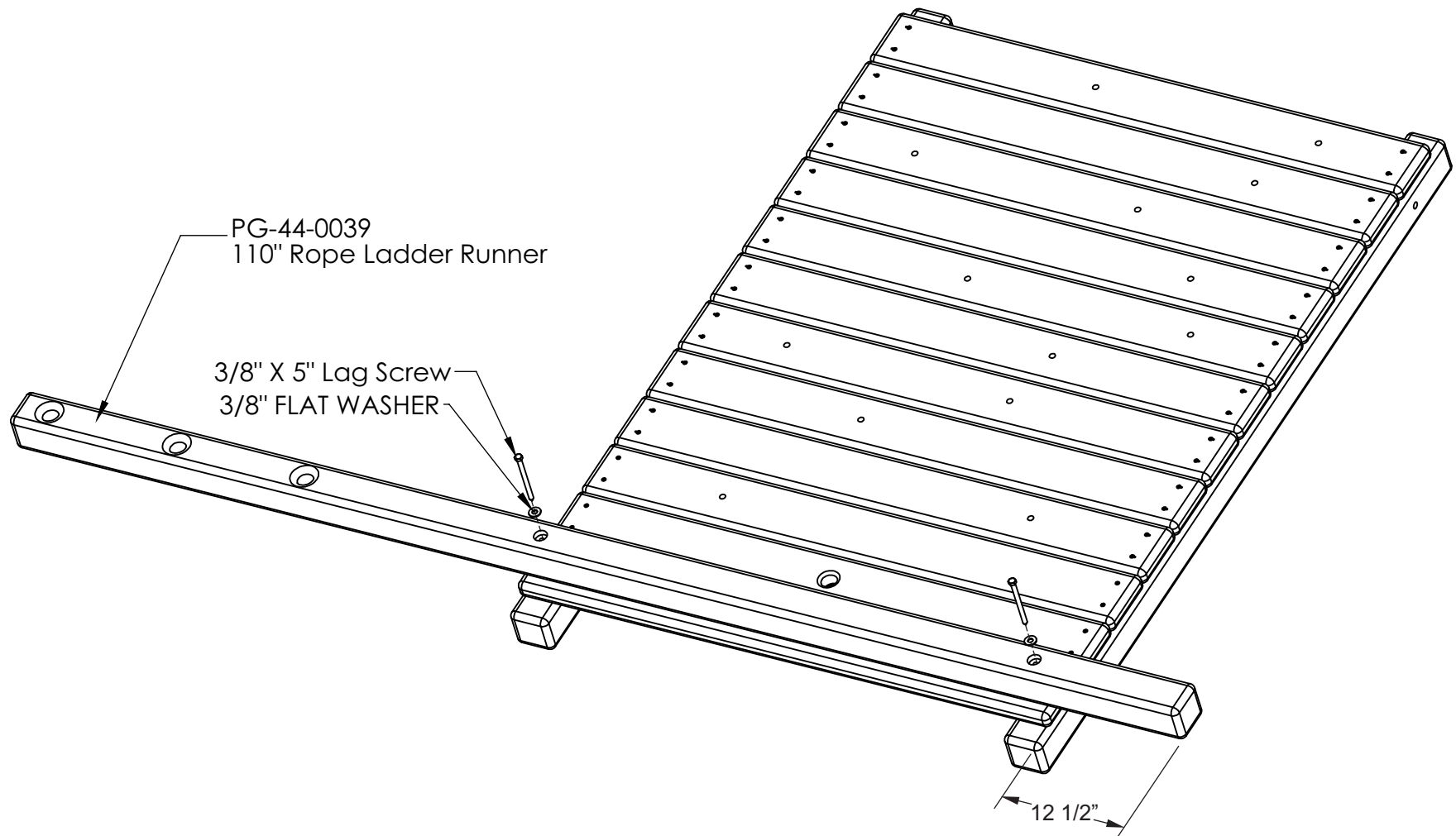
PART #	Description	QTY
PG-AC-0002	Small handle	4
PG-AC-0020	Ladder rope	3
PG-AC-0018	Vinyl Roof	1
PG-ST-0008	Ladder rung tube 24 1/2"	2
PG-AC-0015	Long metal handle	3
PLBINOCULAR	BINOCULAR (with req'd hardware)	1
PG-AC-0005	Ships wheel(with req'd hardware)	1
PG-AC-0003	Climbing Rock(Yellow)	8
PG-AC-0003	Climbing Rock(Green)	8
PG-AC-0021	Climbing wall Rope	1
PG-AC-0010	Trapeze set	1
PG-AC-0011	Name plate (with req'd hardware)	1
PG-ST-0007	Chain ladder	1
PG-HW-M008	SPRING CLIP	3
PG-HW-M015	Tire swing hardware and chain	3
PG-HW-M014	Tire Swing Swivel	1
PG-ST-0008	Chain (7 chain links with quick link)	5

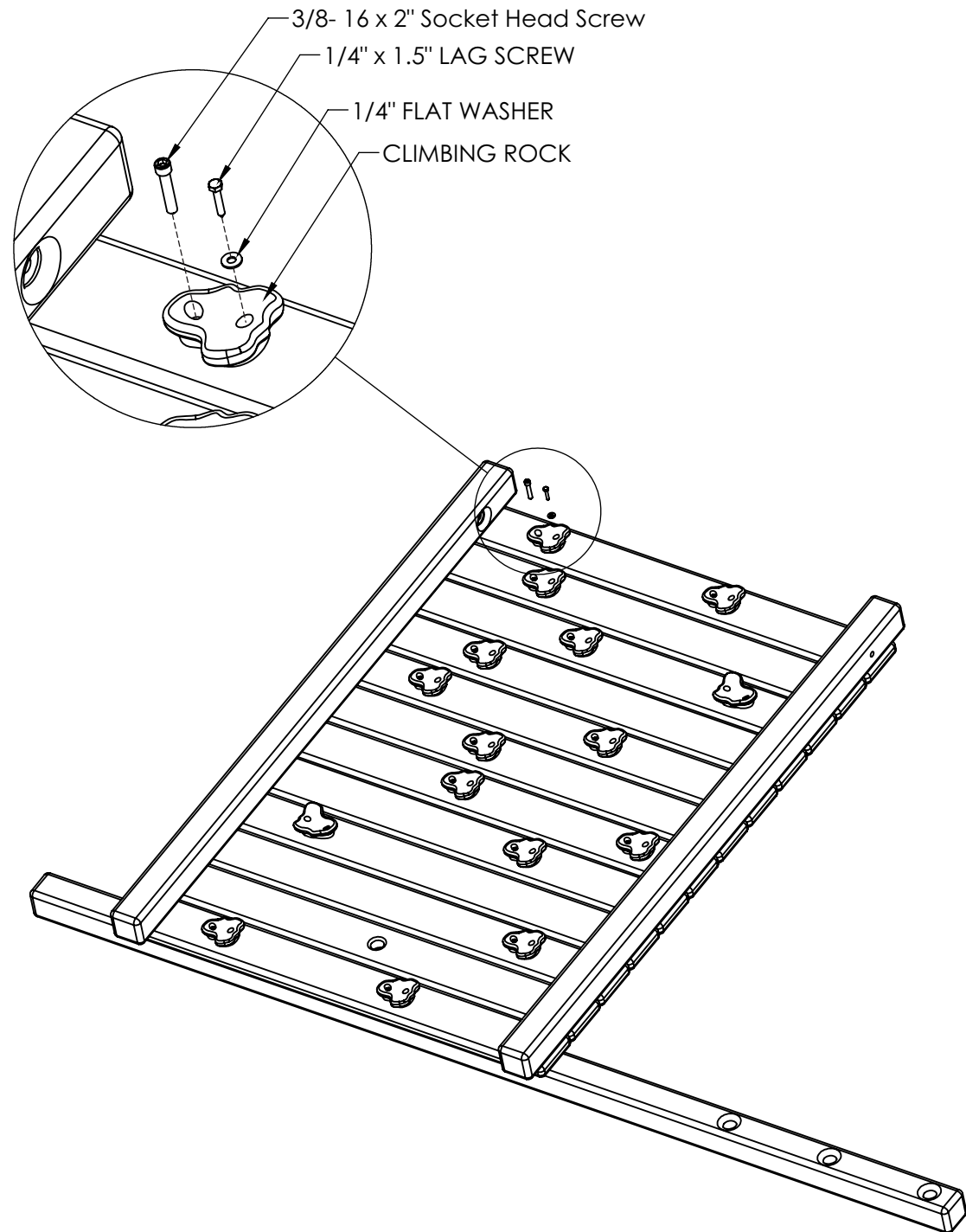
P G 1 1 6 (6 f t) P A R T S L I S T

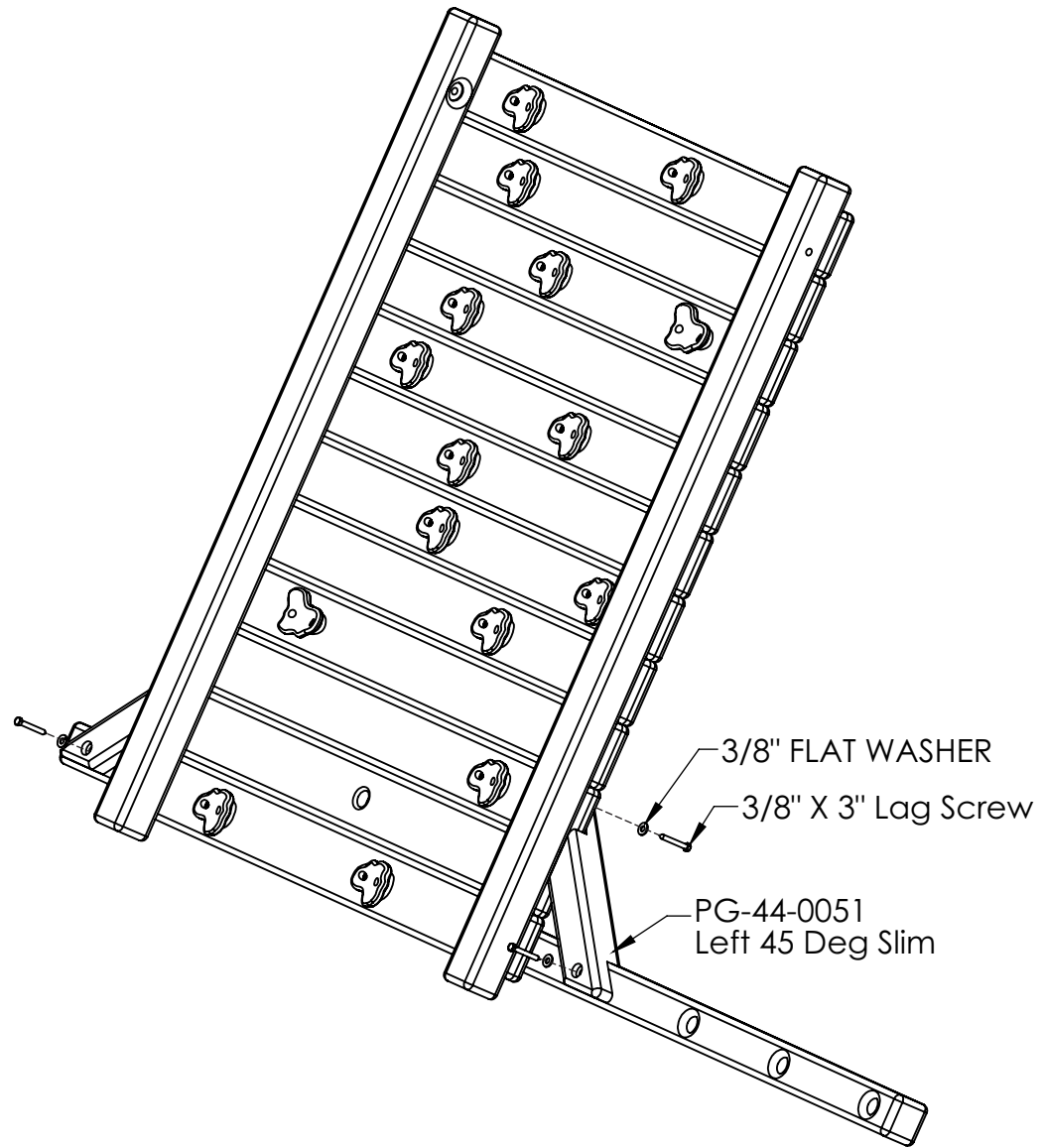
Parts			Hardware		
PART #	Description	QTY	PART #	Description	QTY
PG-44-0059	85" Center Combo Ladder Leg	1	PG-HW-B009	3/8"-16 x 4.5" HEX BOLT	4
PG-26-0029	31" Center Deck Support	2	PG-HW-B010	3/8- 16 x 2" Socket Head Screw	20
PG-44-0048	88" Center Post	2	PG-HW-B013	1/2"-13 x 6" HEX BOLT	20
PG-24-0052	64" Center Tarp Board	1	PG-HW-B014	3/8" X 4" CARRIAGE BOLT	2
PG-44-0058	85" Combo Wood Pipe Ladder Leg	1	PG-HW-L001	1/4" x 1.5" LAG SCREW	20
PG-44-0060	85" Combo Wood Step Ladder Leg	1	PG-HW-L002	1/4" x 4.5" LAG SCREW	38
PG-44-0046	43 1/2" Corner Post Left	2	PG-HW-L009	1/4" x 3" Lag Screw	18
PG-44-0047	43 1/2" Corner Post Right	2	PG-HW-L010	3/8" X 5" Lag Screw	13
PG-26-0028	57" Deck Large Board	8	PG-HW-L011	3/8" X 3" Lag Screw	36
PG-24-0056	26 1/2" Panel Mount	3	PG-HW-N001	3/8" NYLON LOCKNUT	4
PG-24-0055	31" Deck Backboard	4	PG-HW-N002	3/8"-16 X 1/2" T-NUT	20
PG-24-0053	71" End Tarp Board	2	PG-HW-N003	3/8"-16 ACORN NUT	2
PG-44-0045	75" Ground Runner	1	PG-HW-N004	1/2" NYLON LOCKNUT	20
PG-46-0007	Left 30 Deg Brace	2	PG-HW-N005	1/2"-13 ACORN NUT	20
PG-44-0051	Left 45 Deg Slim	4	PG-HW-N008	3/8" STD NUT	2
PG-44-0054	25" Left 45 Deg Slim	1	PG-HW-S001	#10 X 1" ROUND HEAD SCREW	14
PG-44-0055	25" Right 45 Deg Slim	1	PG-HW-S009	#8X2 1/2 PH FLAT HD WDSCR	156
PG-46-0006	107" Main Beam	2	PG-HW-S011	#10X3" PH FLAT HD WDSCR	60
PG-24-0051	26 1/2" Rail Bottom	3	PG-HW-W001	#10 FLAT WASHER	14
PG-23-0001	27" Rail Spindle	18	PG-HW-W002	1/4" FLAT WASHER	76
PG-24-0050	26 1/2" Rail Top	3	PG-HW-W004	3/8" FLAT WASHER	59
PG-46-0008	Right 30 Deg Brace	2	PG-HW-W005	1/2" FLAT WASHER	42
PG-44-0052	Right 45 Deg Slim	3	PG-HW-W008	3/8" LOCK WASHER	2
PG-44-0061	Right 45 Deg Slim	1			
PG-26-0023	50" rock wall board-1 rock	5			
PG-26-0024	50" Rock Wall Board- 1 Rock	3			
PG-26-0025	50" Rock Wall Board-2 Rock	6			
PG-44-0057	85" Rock Wall Leg	2			
PG-26-0026	50" Rock Wall Board w/Rope Hole	1			
PG-44-0053	11" Rope Block	1			
PG-44-0040	108 1/2" Rope Ladder Arm	1			
PG-44-0039	110" Rope Ladder Runner	1			
PG-24-0057	30" Rope Rungs	6			
PG-44-0050	132" SB Top Joist	1			
PG-44-0056	26 1/2" Slide Block	1			
PG-24-0054	57" Small Deck Board	6			
PG-26-0027	21 1/2" Step Board	6			
PG-44-0049	132" Top Joist	1			
PG-44-0041	108 1/2"Accessory Arm	1			
PG-44-0041	108 1/2"Accessory Arm	1			

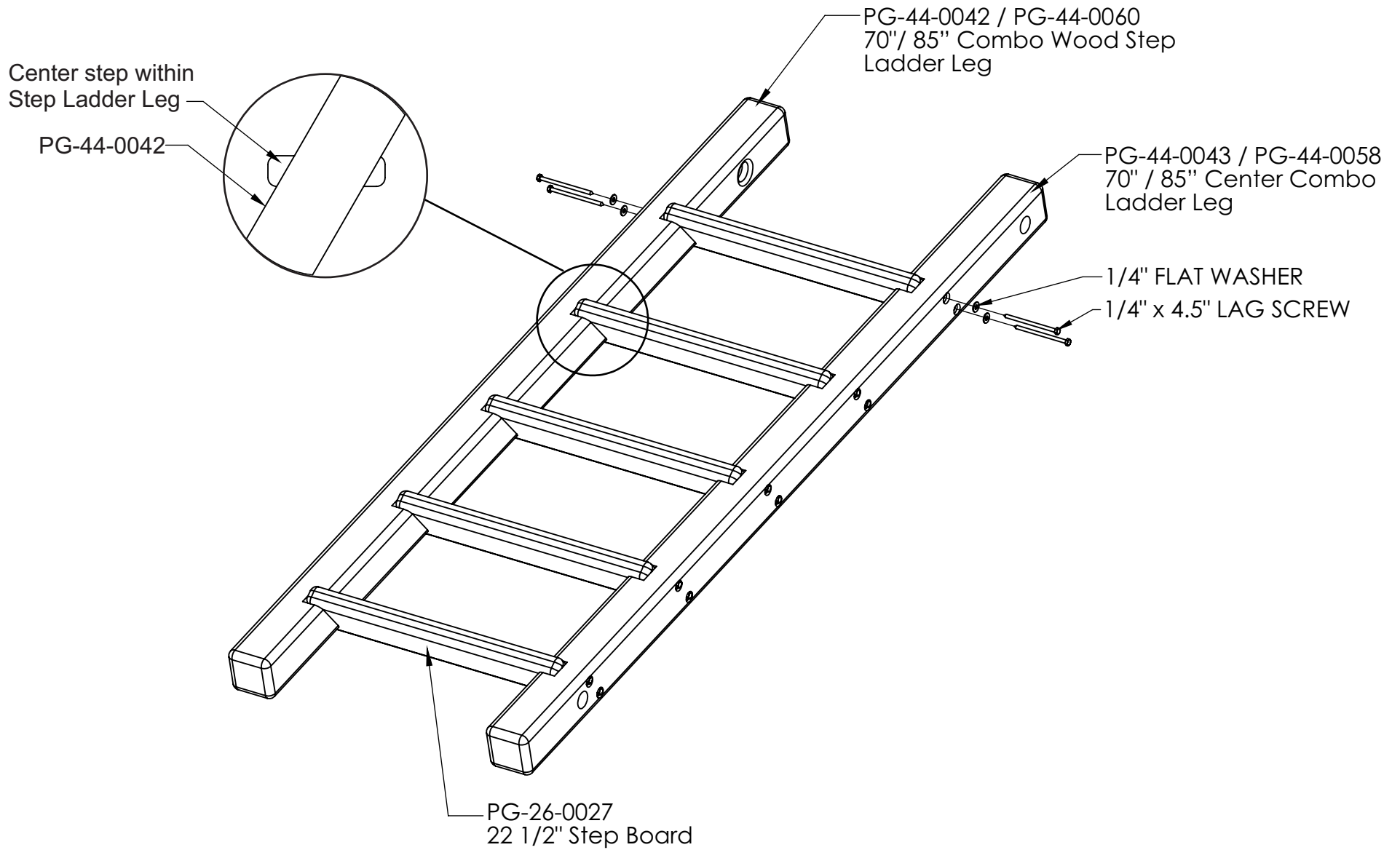
Accessories		
PART #	Description	QTY
PG-AC-0002	Small handle	4
PG-AC-0026	Ladder rope	3
PG-AC-0018	Vinyl Roof	1
PG-ST-0008	Ladder rung tube 24 1/2"	3
PG-AC-0015	Long metal handle	3
PLBINOCULAR	BINOCULAR (with hardware)	1
PG-AC-0005	Ships wheel (with hardware)	1
PG-AC-0003	Climbing Rock(Yellow)	10
PG-AC-0003	Climbing Rock(Green)	10
PG-AC-0025	Climbing wall Rope	1
PG-AC-0024	Trapeze set	1
PG-AC-0011	Name plate (with hardware)	1
PG-ST-0007	Chain ladder	1
PG-HW-M008	SPRING CLIP	3
PG-HW-M016	Tire Swing Hardware and Chain	3
PG-HW-M014	Tire Swing Swivel	1

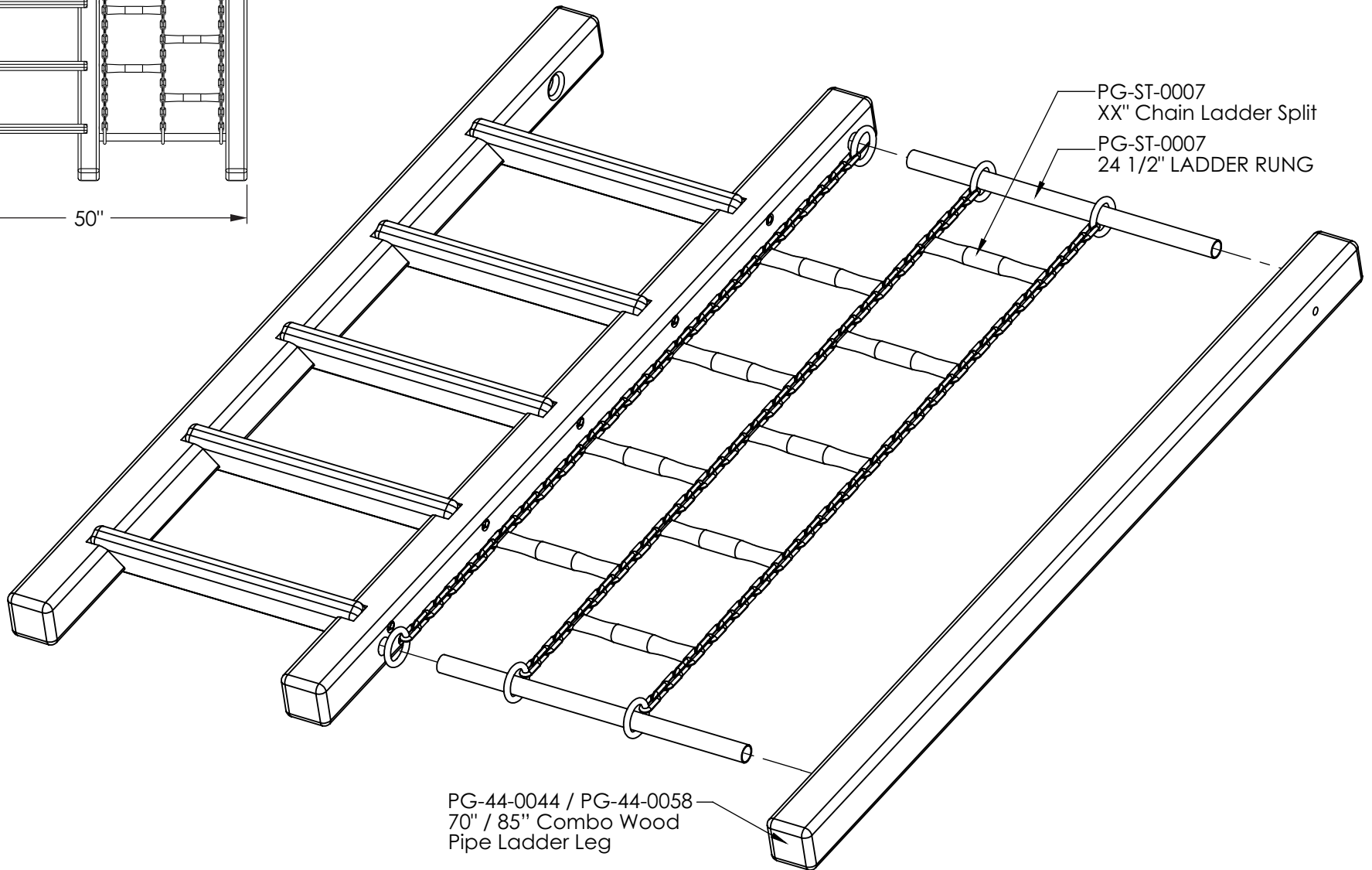
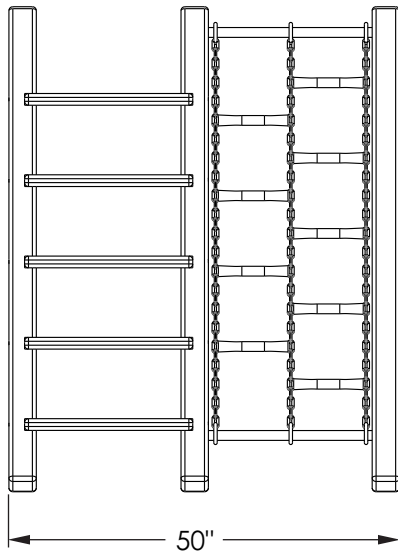


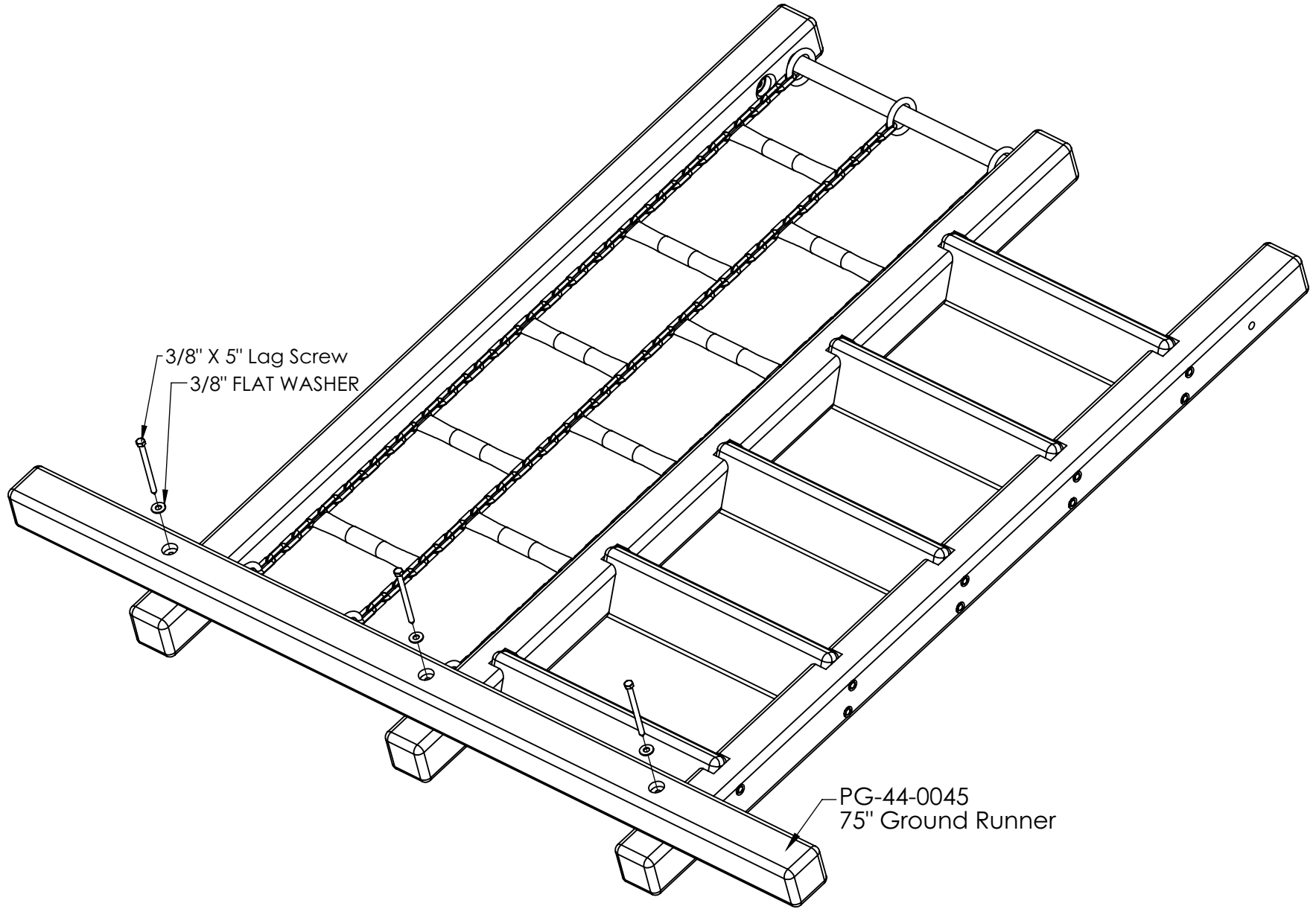


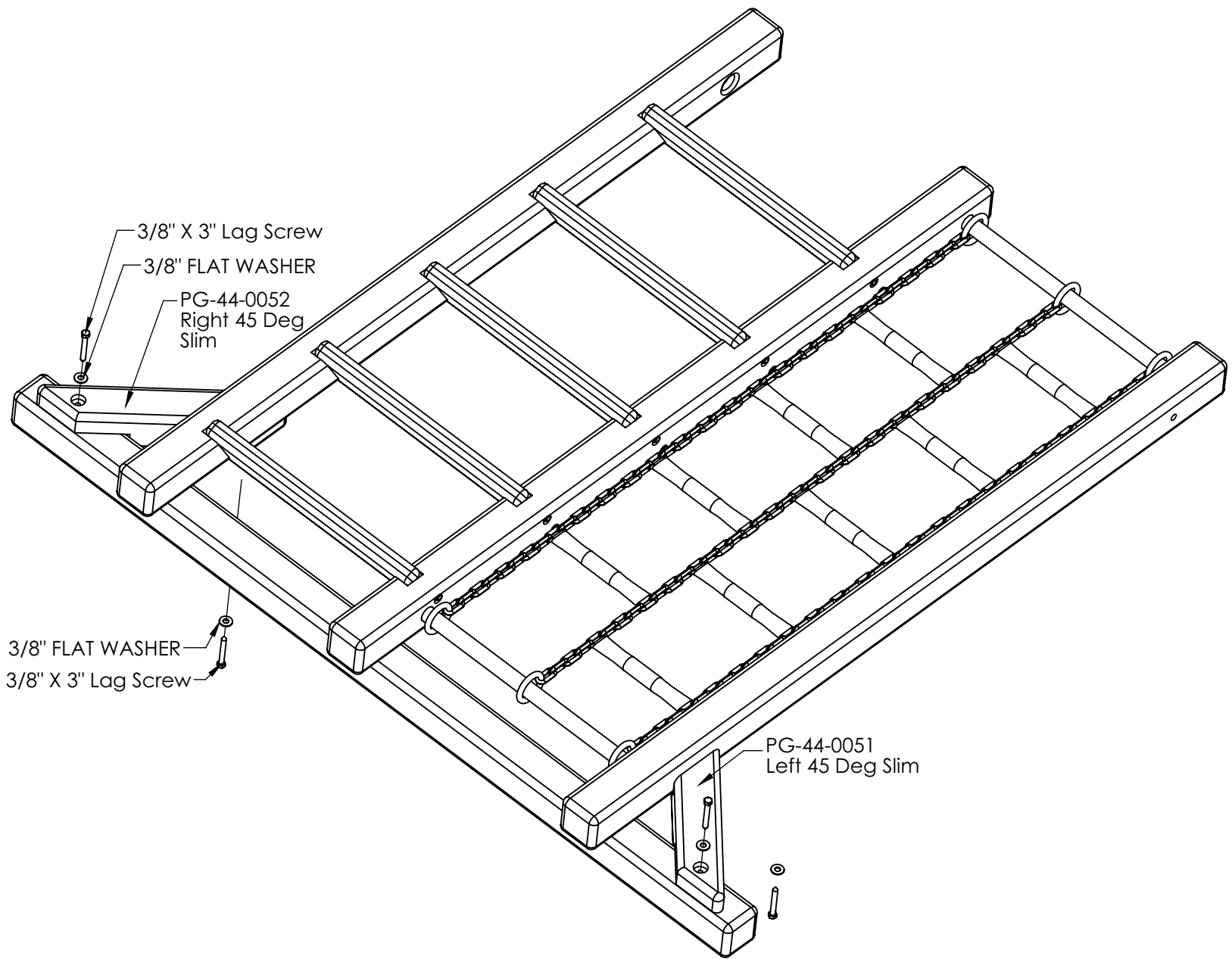


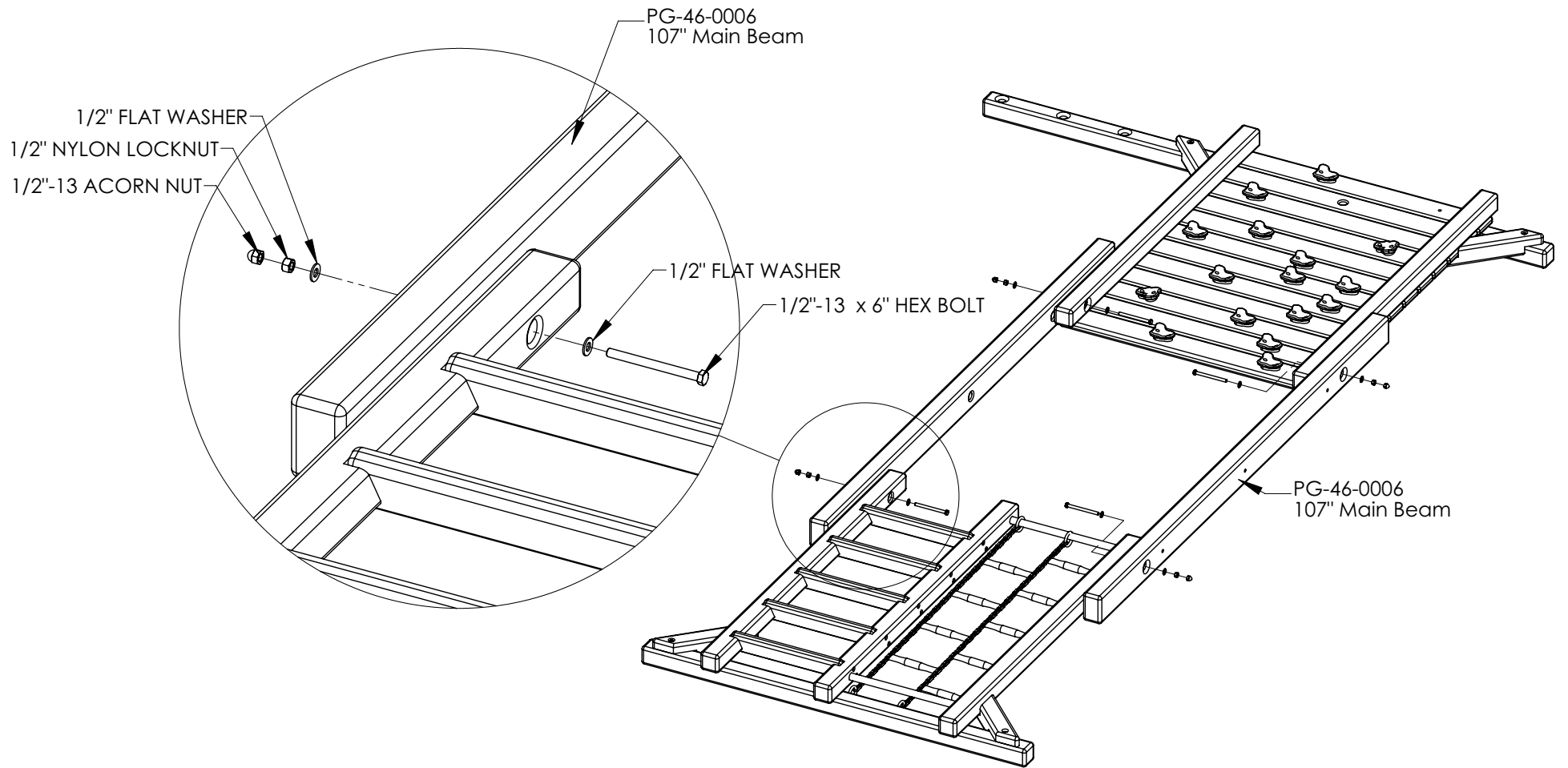


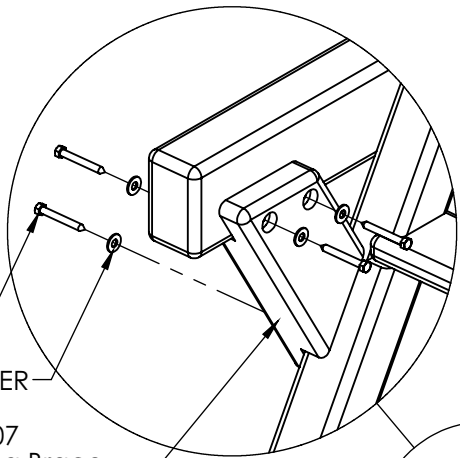
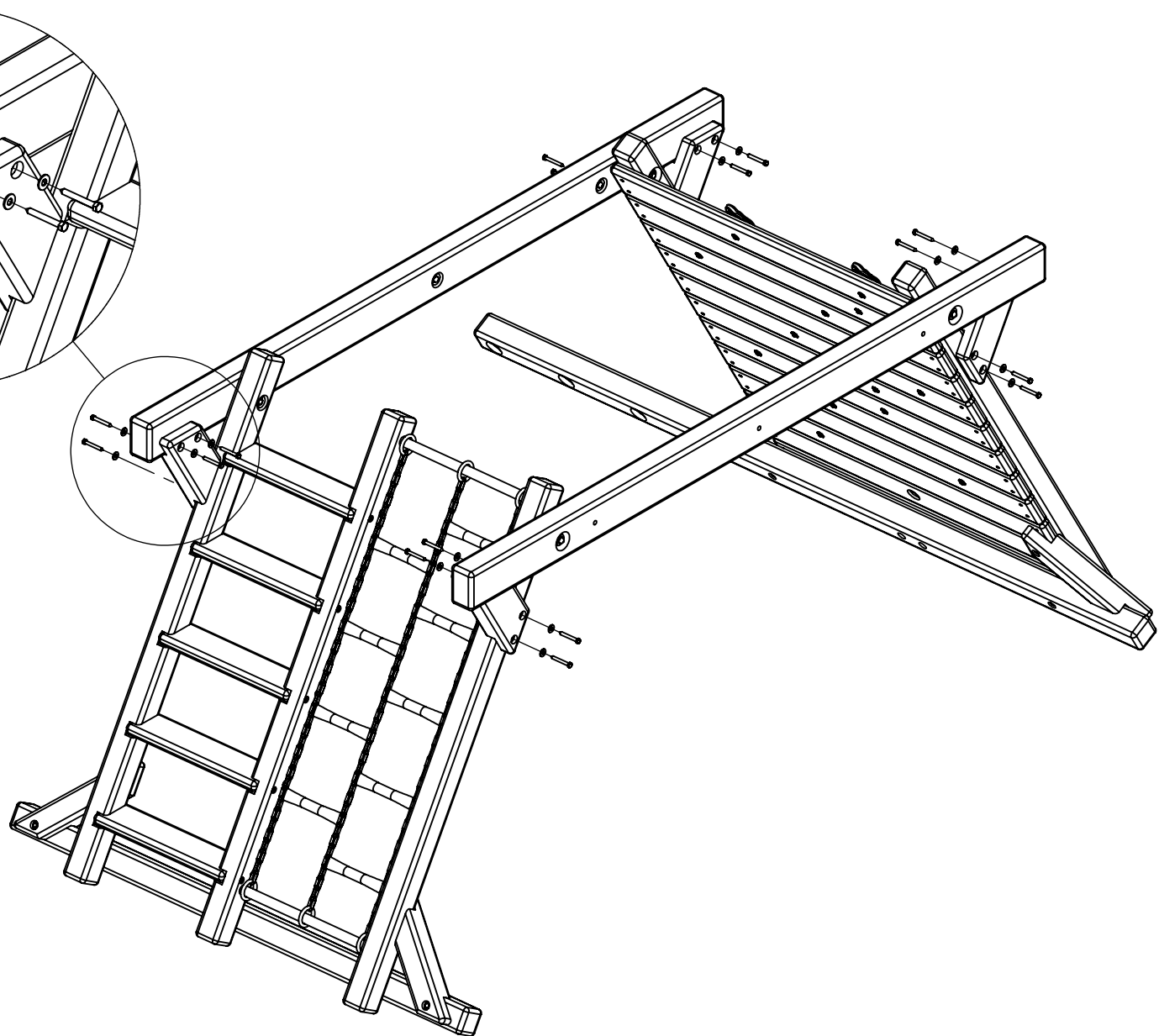








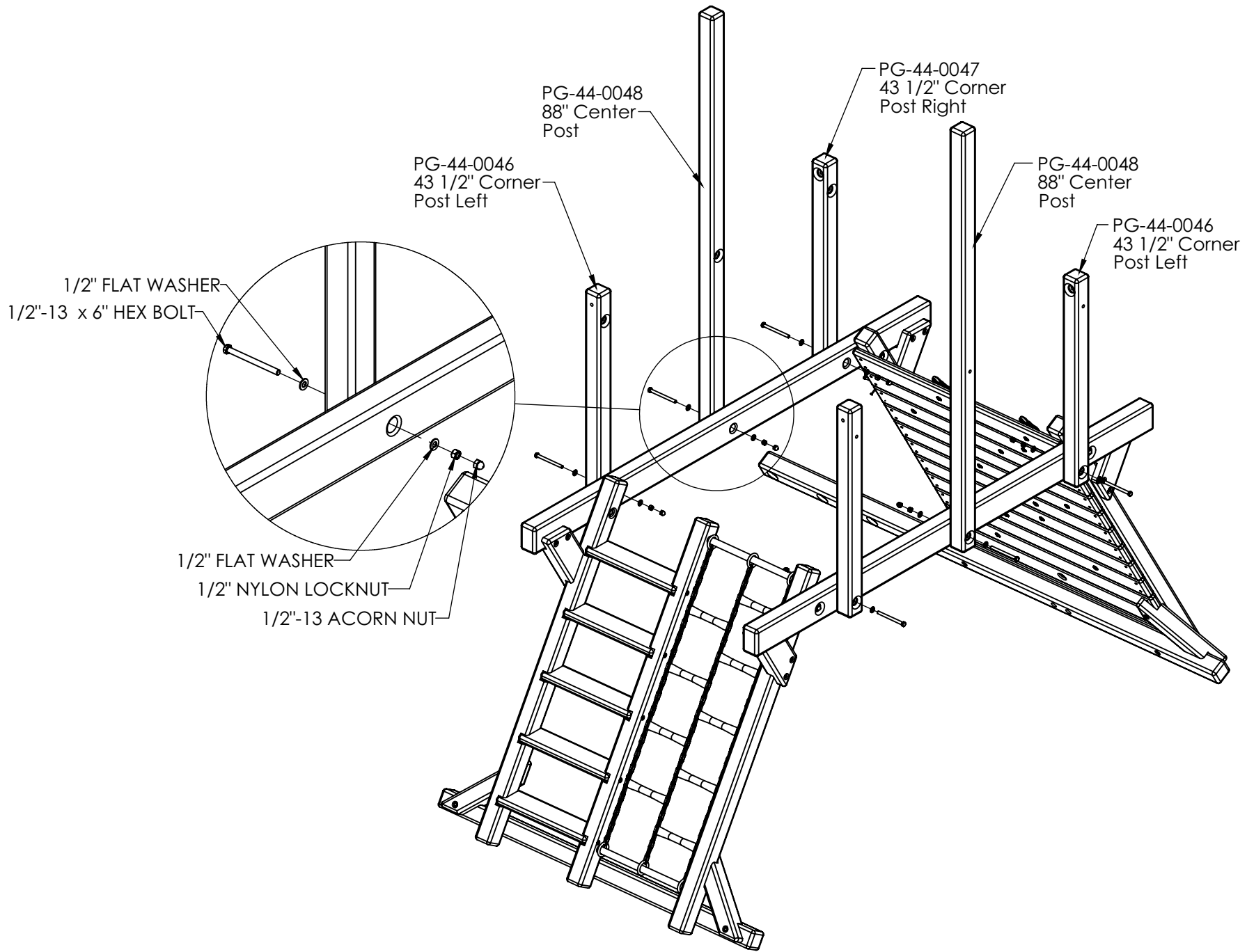


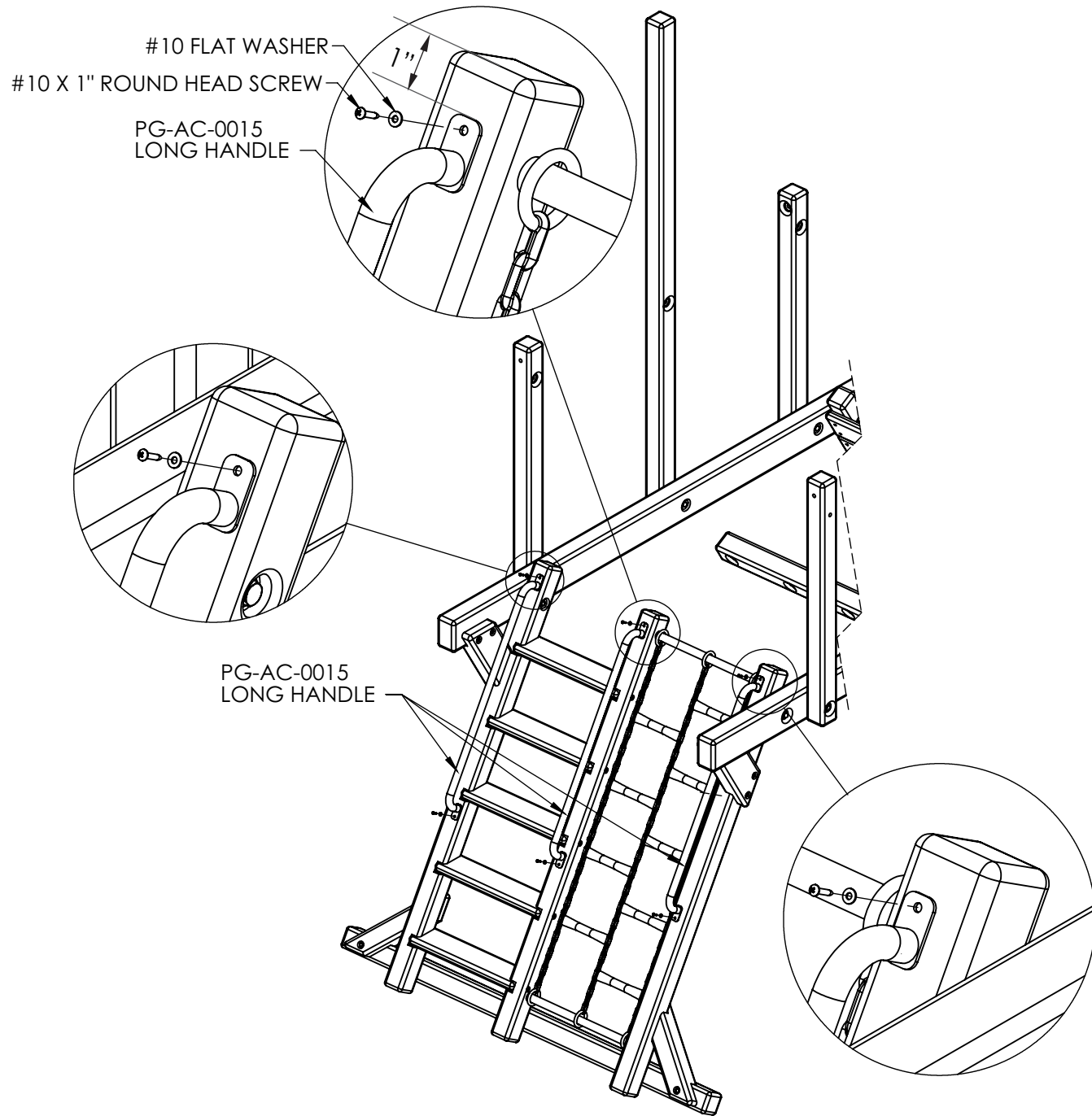


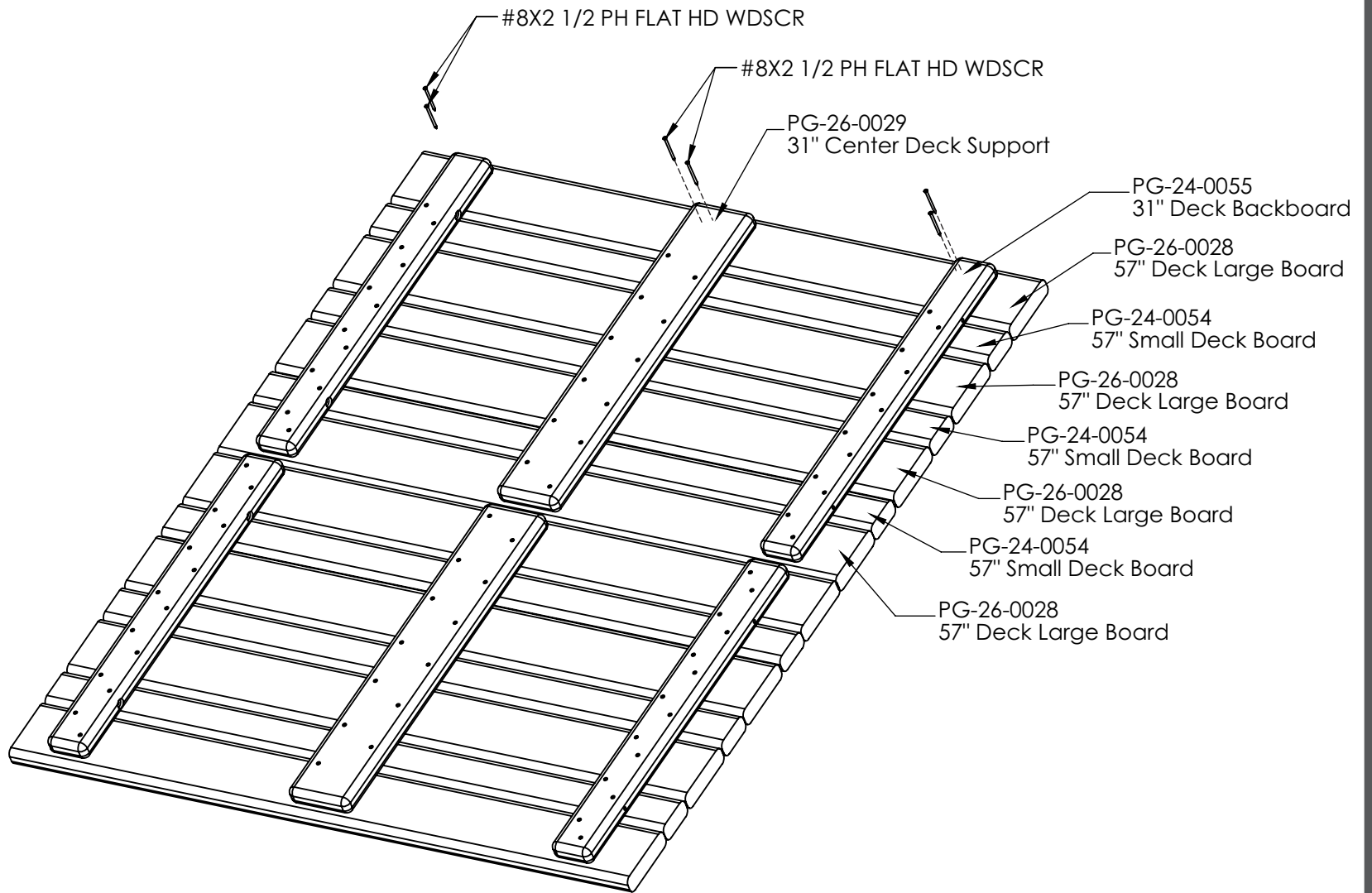
3/8" X 3" Lag Screw

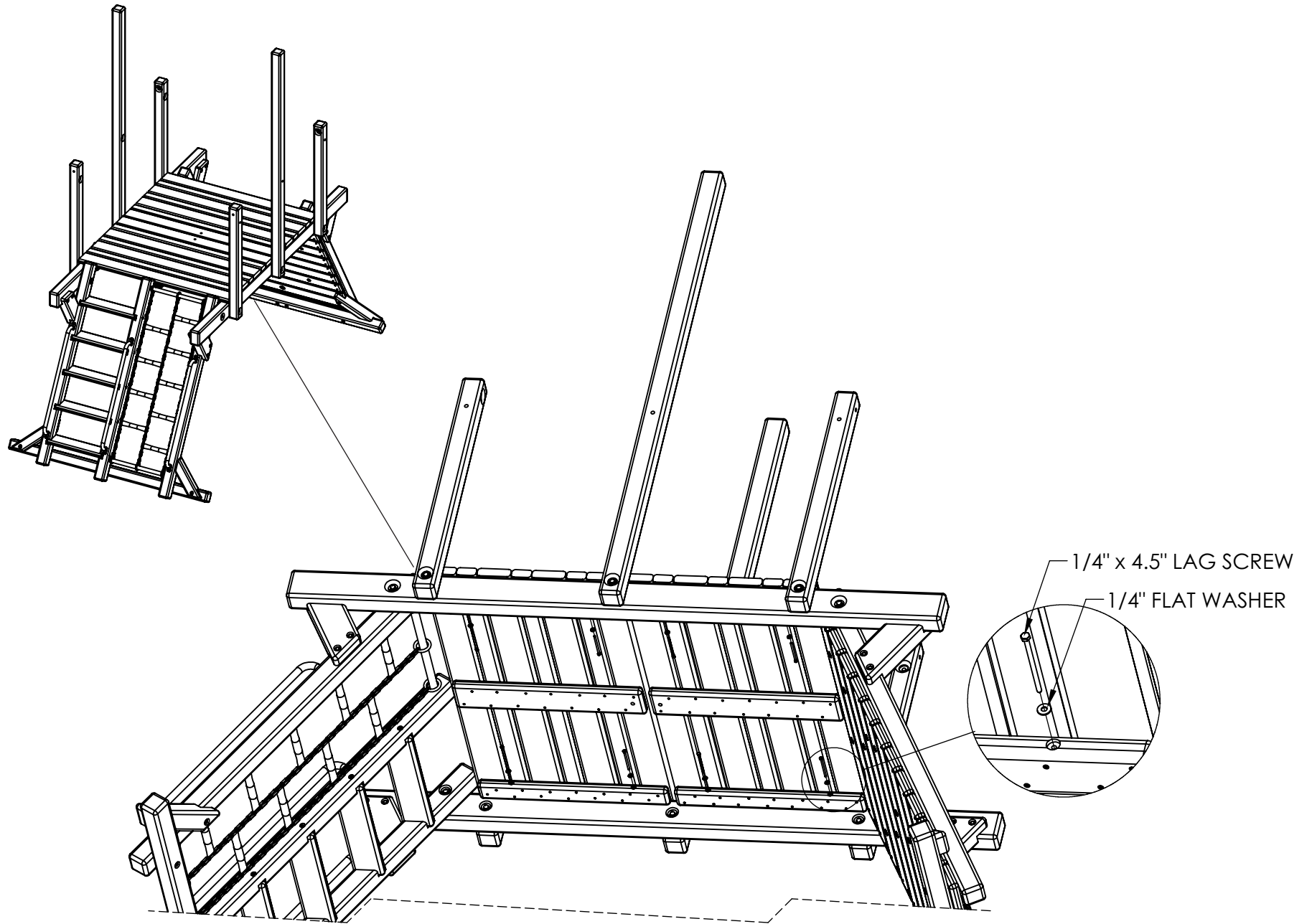
3/8" FLAT WASHER

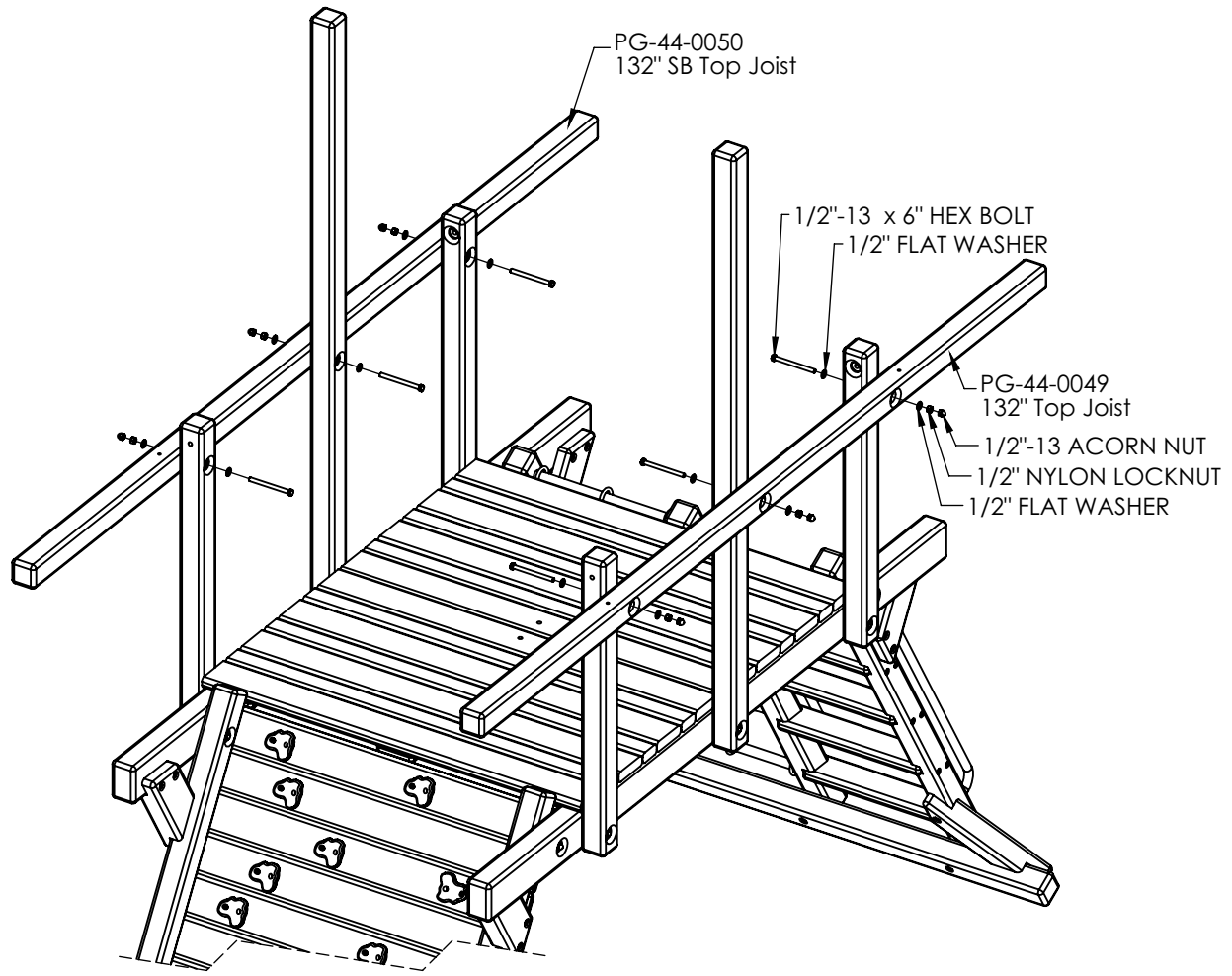
PG-46-0007
Left 30 Deg Brace

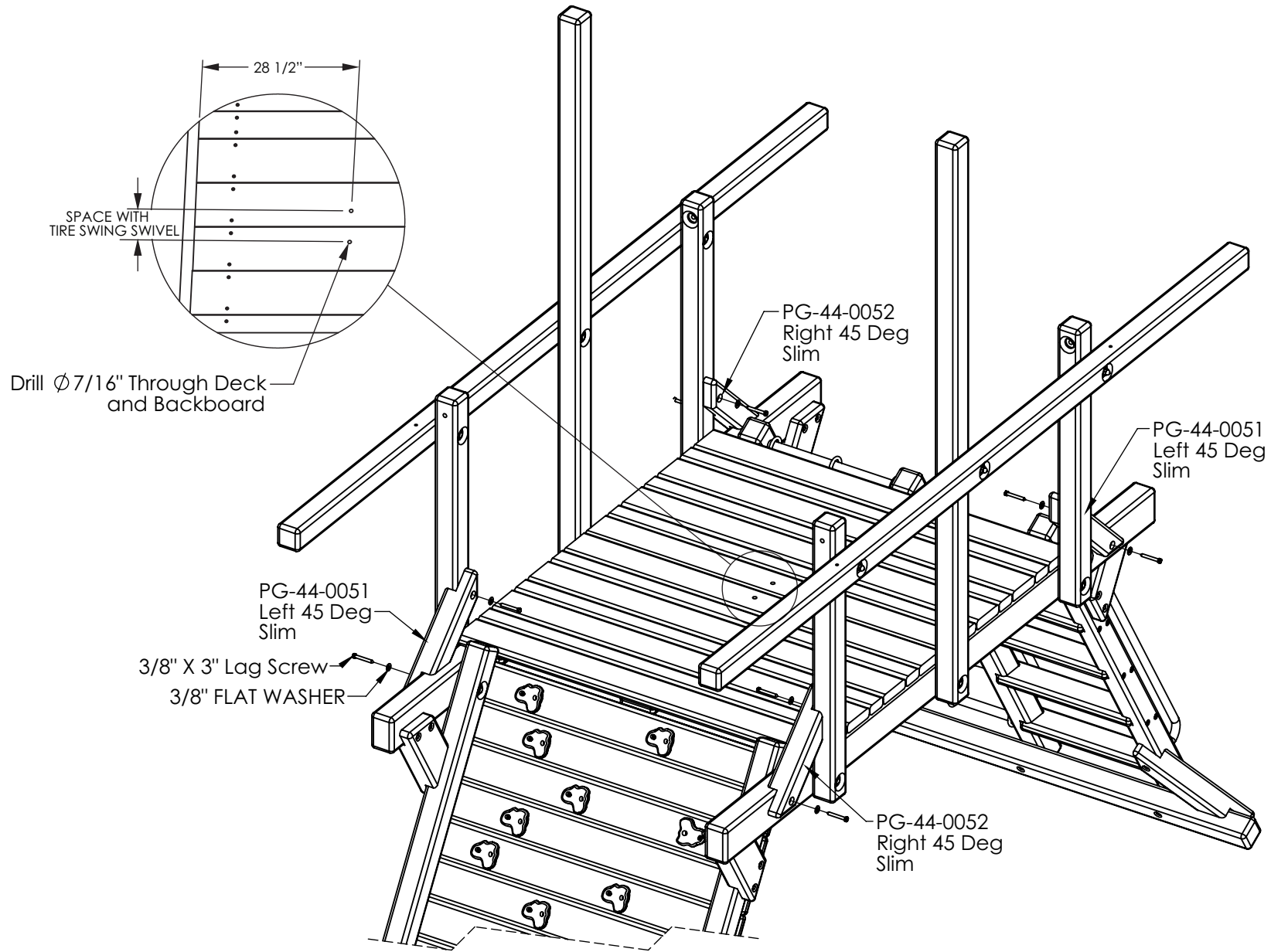


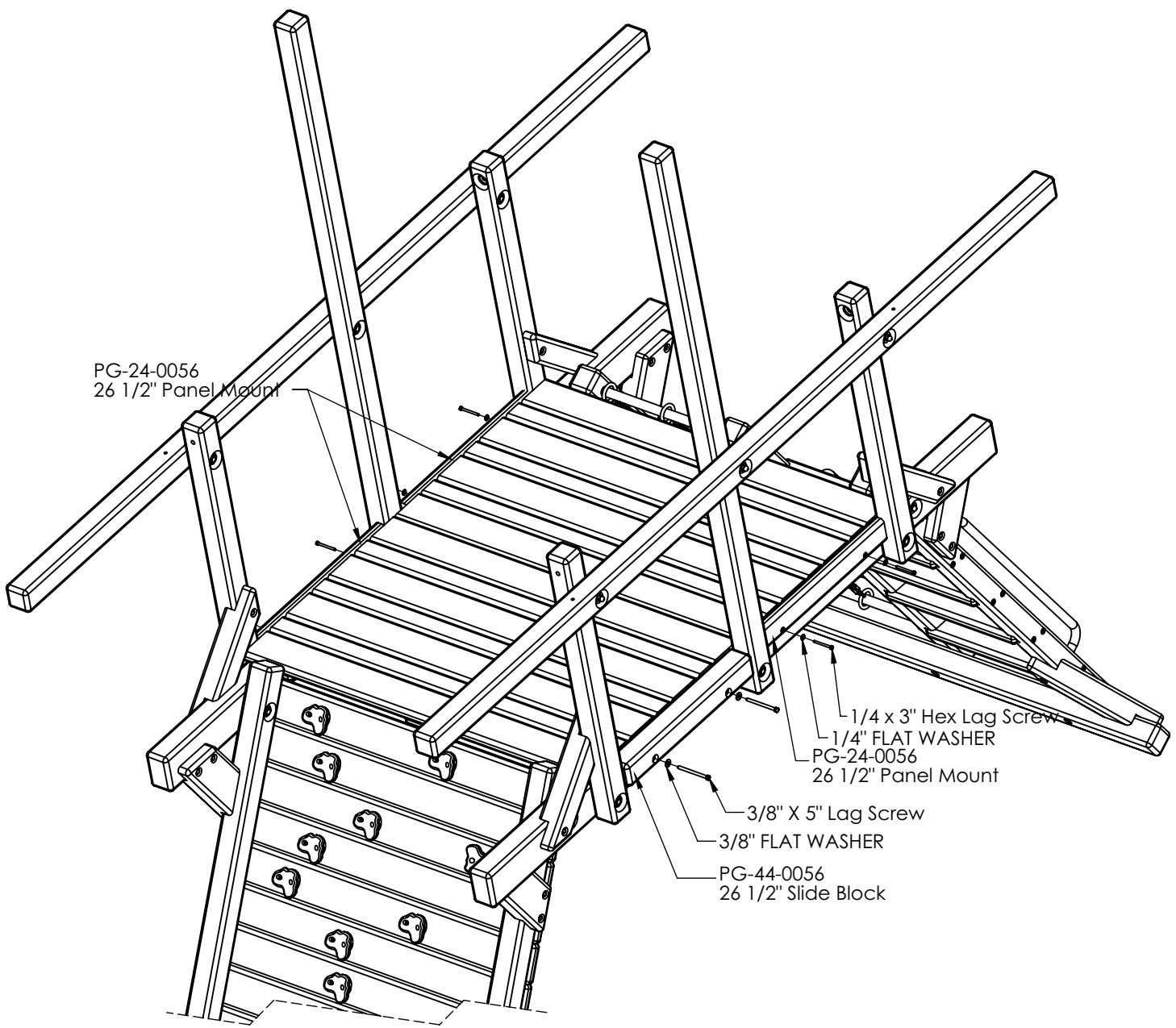








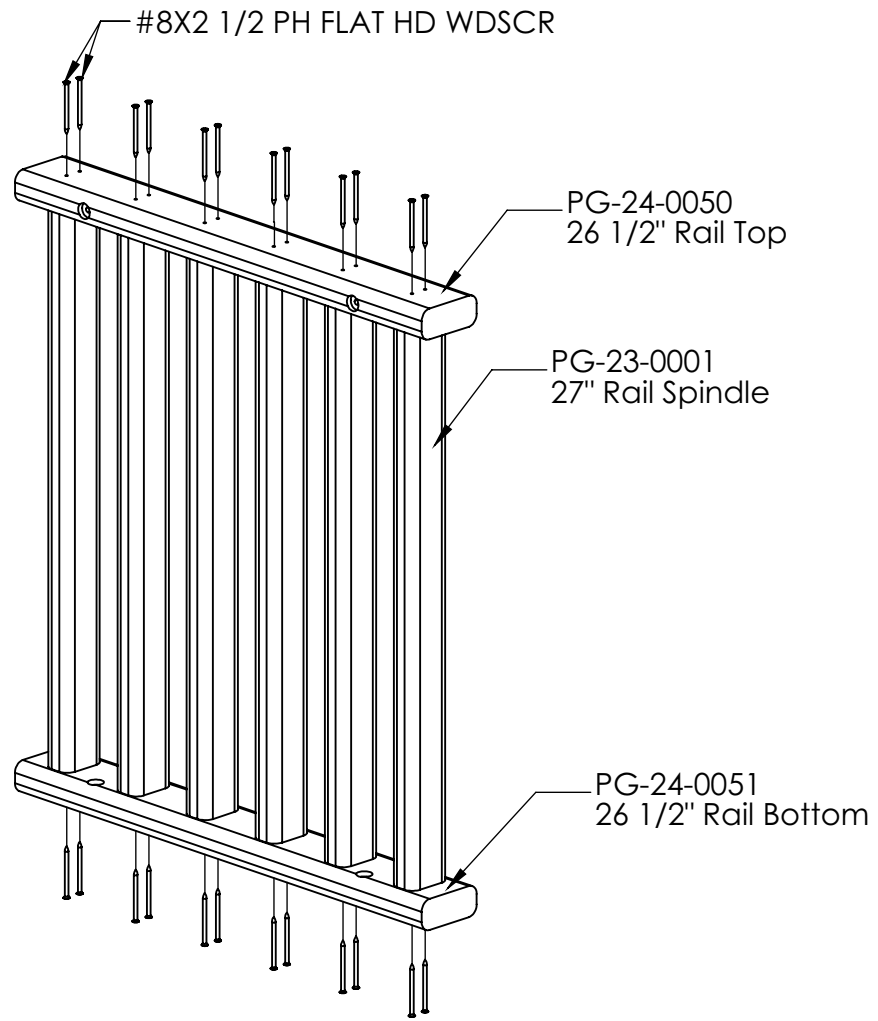


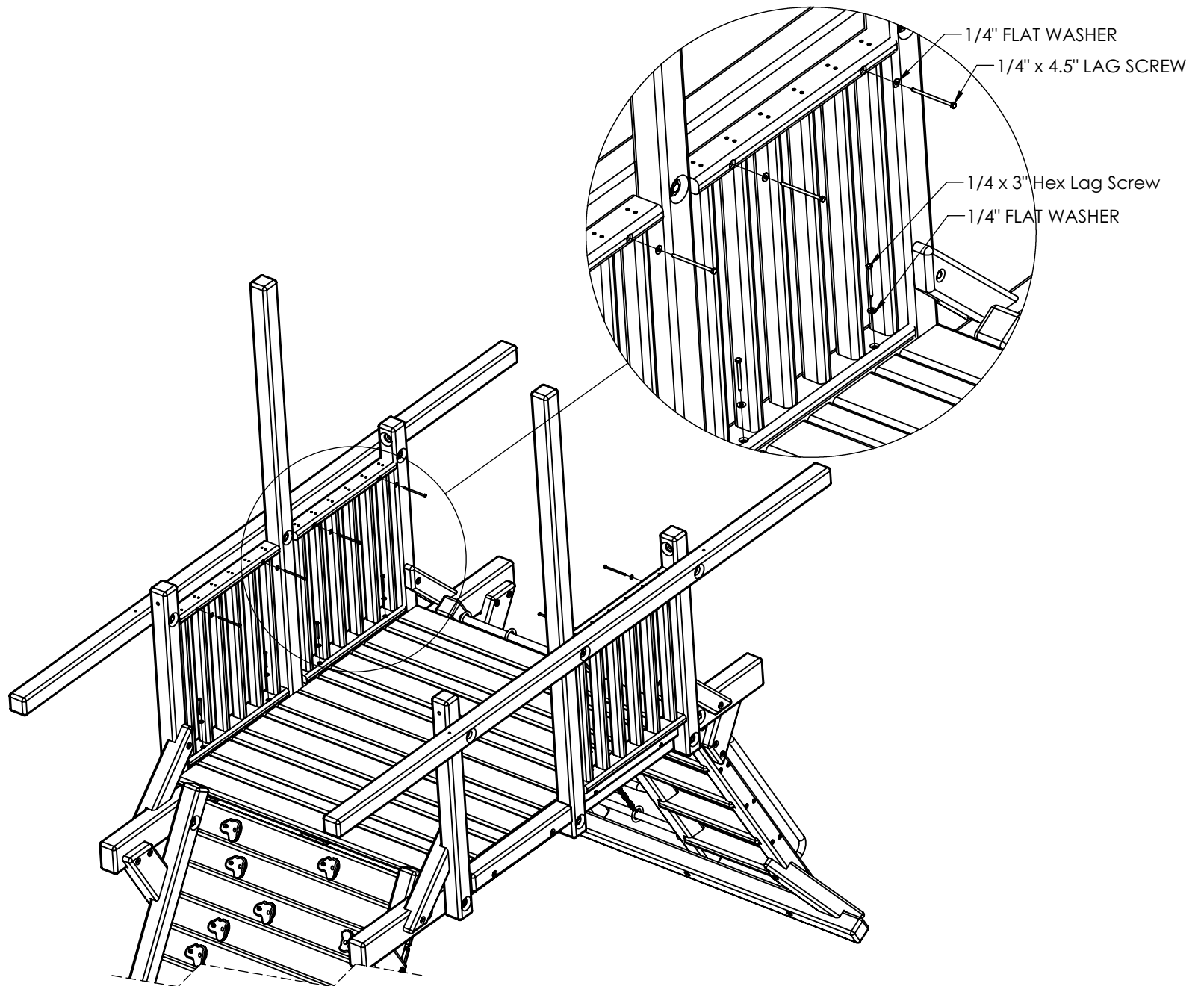


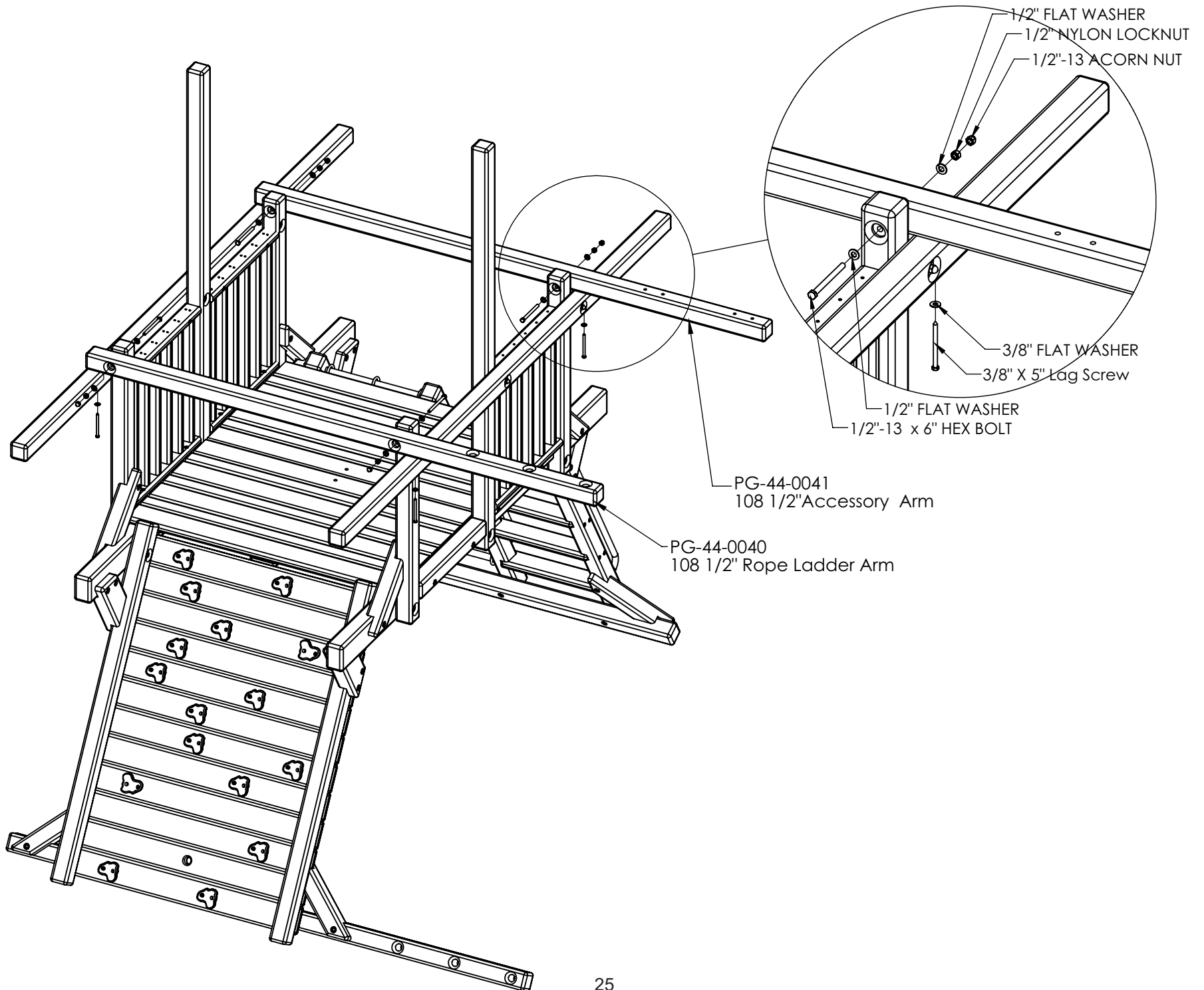
PG-24-0056
26 1/2" Panel Mount

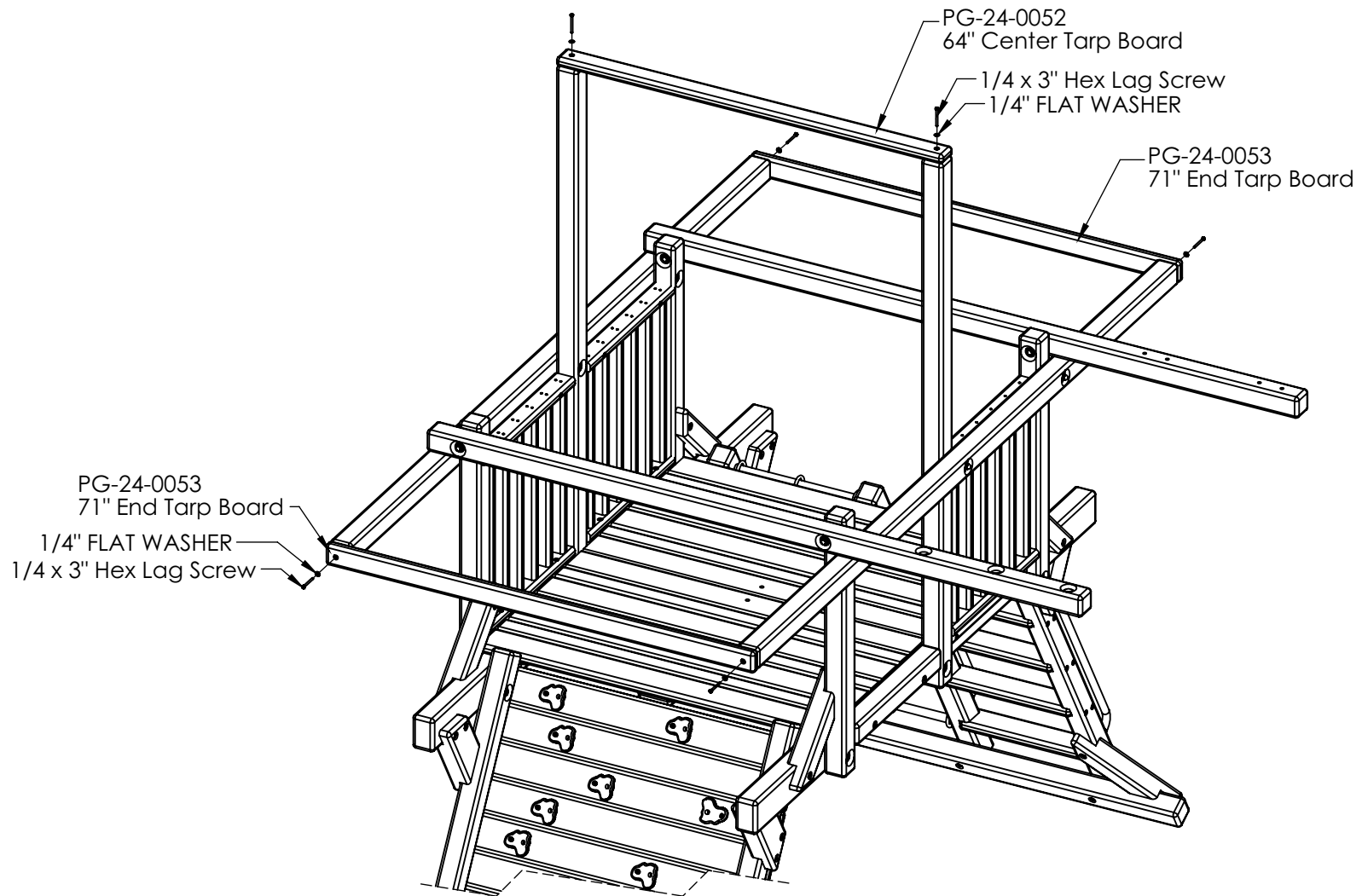
1/4 x 3" Hex Lag Screw
1/4" FLAT WASHER
PG-24-0056
26 1/2" Panel Mount

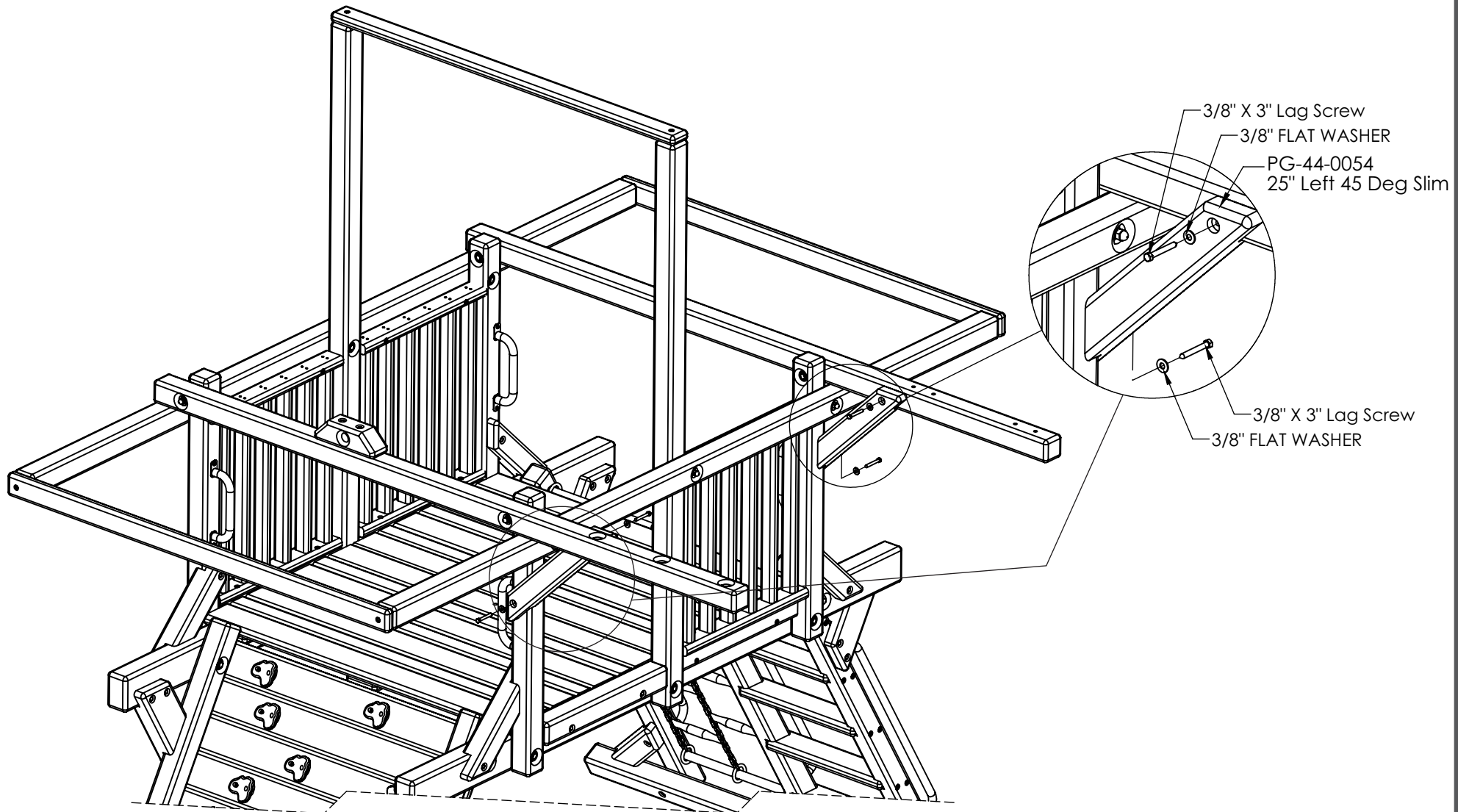
3/8" X 5" Lag Screw
3/8" FLAT WASHER
PG-44-0056
26 1/2" Slide Block





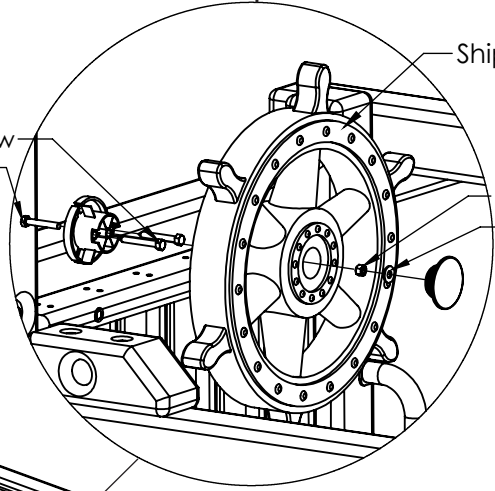






Hardware Included With Ships Wheel

3/8" X 2 1/2" Lag Screw
5/16-18 x 1" Hex Bolt



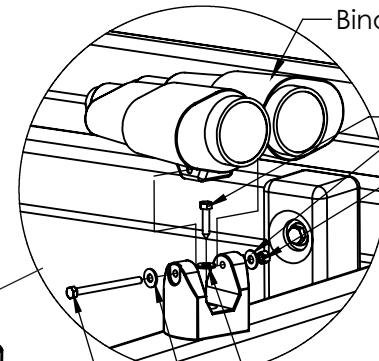
Ships Wheel

3/8-16 Lock Nut
5/16" Flat Washer

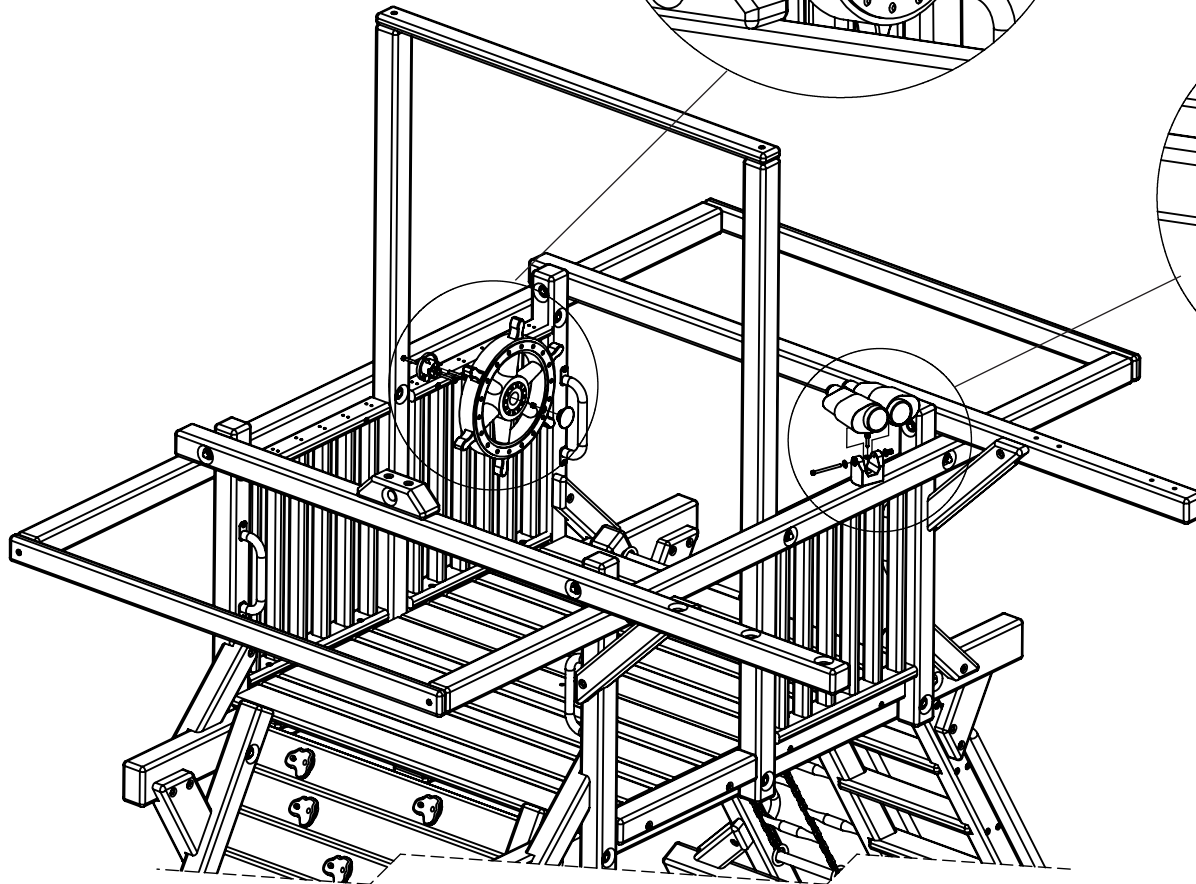
Hardware Included With Binoculars

Binoculars

3/8" X 2 1/2" Lag Screw
5/16" Flat Washer
3/8-16 Lock Nut



5/16" Flat Washer
5/16" Flat Washer
5/16-18 x 1" Hex Bolt



ROPE MUST BE TIGHT ENOUGH THAT IT CANNOT BE LOOPED BACK ON ITSELF, AND NO MORE THAN 12" OF ROPE SHOULD BE LEFT AFTER TYING KNOTS AT THE TOP AND BOTTOM OF ROPE.

STEP 1

1. Thread Climbing Wall Rope thru Rope Block and tie a knot.
2. Tie 4 single knots evenly spaced throughout the length item Climbing Wall Rope.

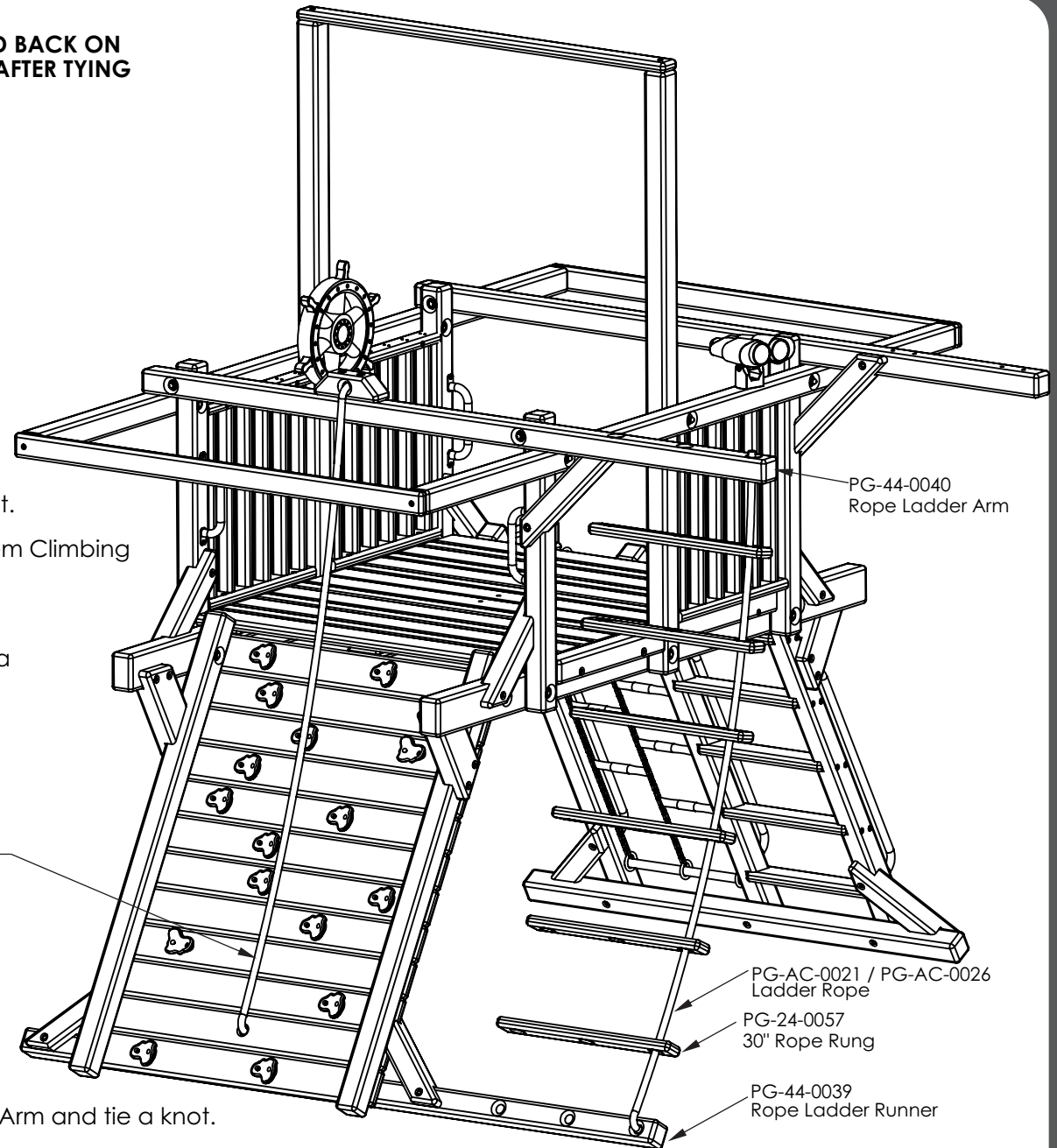
(APPROXIMATELY 18" TO 22" APART)

3. Thread Climbing Wall Rope thru Rock Wall Board and tie a knot on back side of board.

PG-AC-0020 / PG-AC-0025
Climbing Wall Rope

STEP 2

4. Thread Ladder Rope up thru the bottom of Rope Ladder Arm and tie a knot.
5. Slide one Rope Rung up on items Ladder Rope with approximately 10"~11" between bottom of Rope Ladder Arm and Rope Rung, tie a single knot on each rope, directly below item Rope Rung.
6. Repeat step 5 for the remaining 5 Rope Rungs. There should be 10"~11" between each Rope Rung.



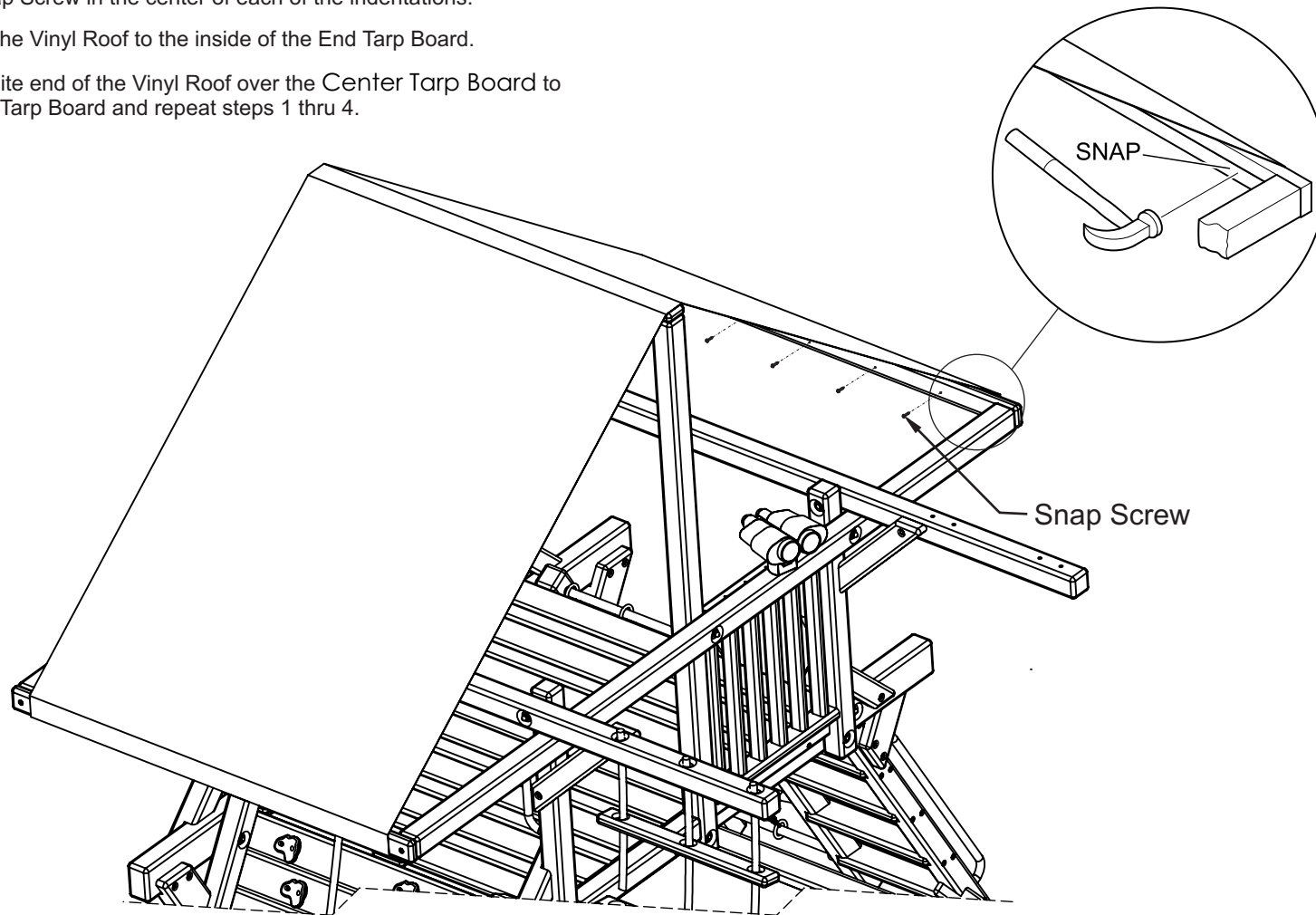
PG-44-0040
Rope Ladder Arm

PG-AC-0021 / PG-AC-0026
Ladder Rope

PG-24-0057
30" Rope Rung

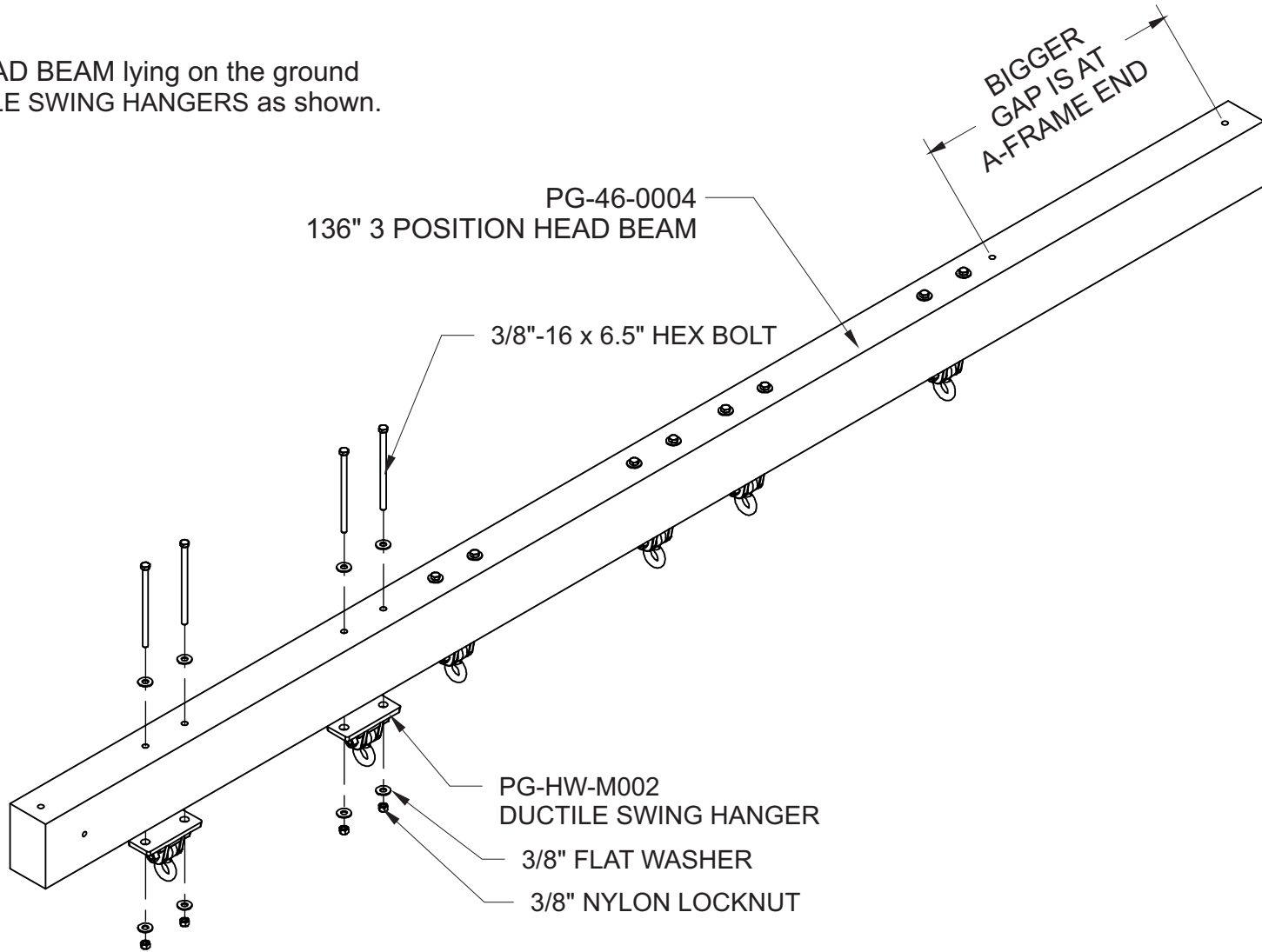
PG-44-0039
Rope Ladder Runner

1. Wrap one end of the Vinyl Roof around to the inside of the End Tarp Board and center it on the Support.
2. Tap the snaps **gently** with a hammer to leave an indentation in the End Tarp Board (as shown in the Roof Snap Inset).
3. Install a Roof Snap Screw in the center of each of the indentations.
4. Snap this end of the Vinyl Roof to the inside of the End Tarp Board.
5. Stretch the opposite end of the Vinyl Roof over the Center Tarp Board to the opposite End Tarp Board and repeat steps 1 thru 4.

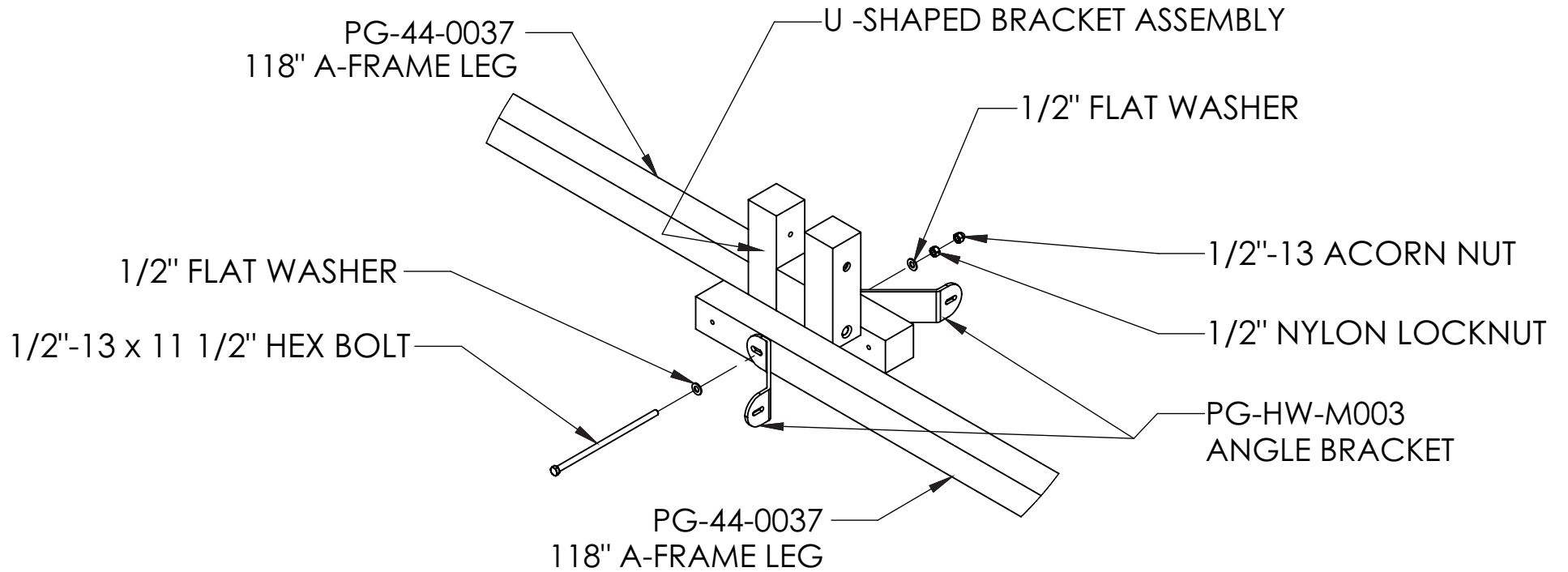
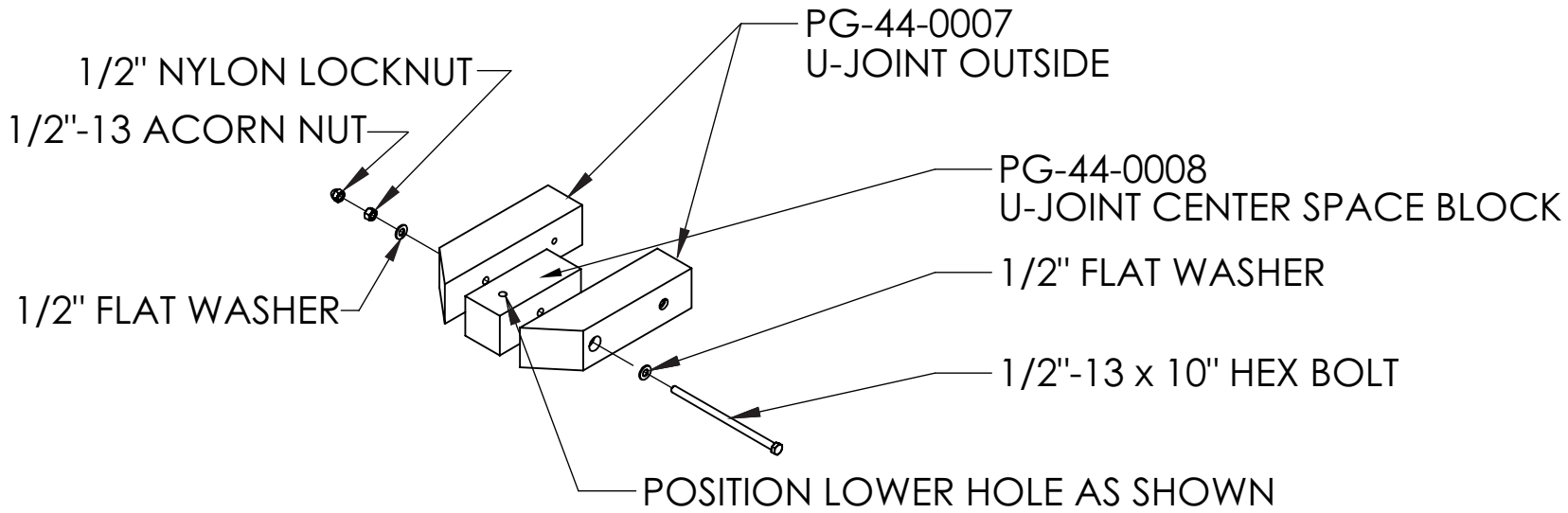


SWING-HANGER-ASSEMBLY

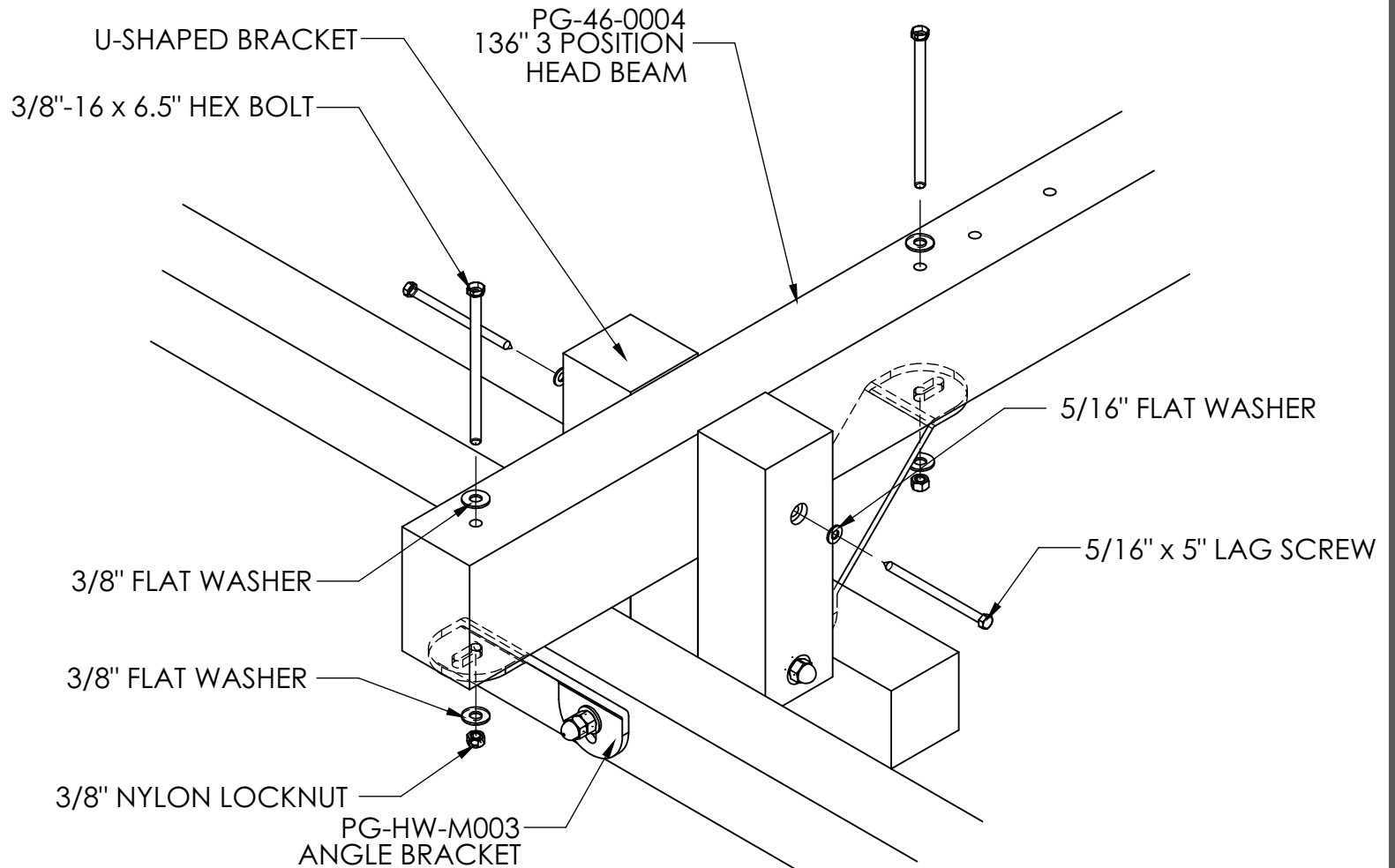
1. With item HEAD BEAM lying on the ground attach DUCTILE SWING HANGERS as shown.



U - S H A P E D B R A C K E T - A S S E M B L Y



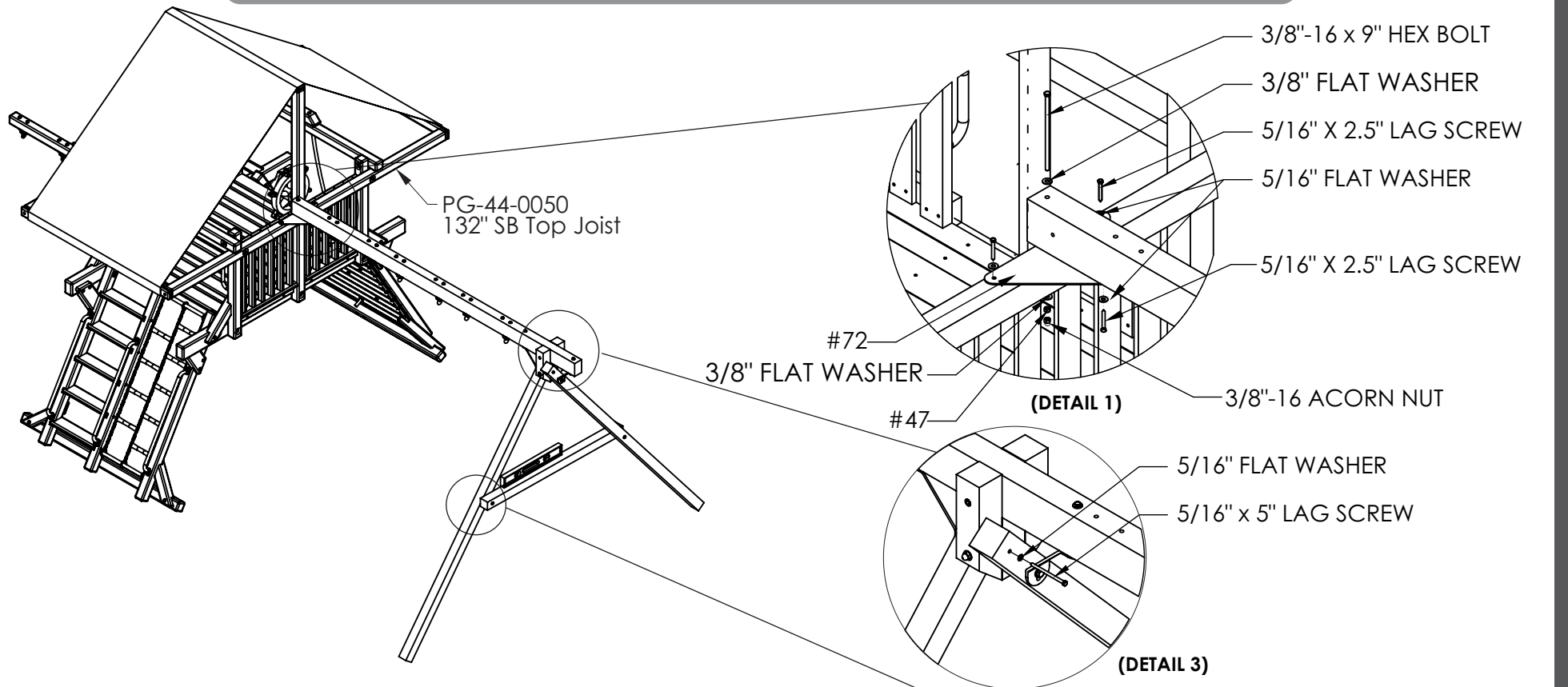
HEAD BEAM TO - A - FRAME - ASSEMBLY



(Prop up the end of 3 Position Head Beam 6" for it to lay flat in the U-Shaped Bracket)

1. Place item HEAD BEAM into the U-Shaped Bracket and line up item ANGLE BRACKET to the two single holes in the end of item HEAD BEAM and attach as shown.
2. When item HEAD BEAM is sitting flat in the U-Shaped Bracket, attach with 5/16" x 5" LAG SCREW from each side as shown.

RAISE HEADBEAM & ATTACH TO PLAYSET



(Before raising the Headbeam Assembly, place the hardware needed to attach the Head Beam up in the play set so it will be available when needed.)

1. With a helper, carefully lift the Head Beam Assembly from both ends until it is level with item Safety Rail of play set, while bringing items A-Frame Legs together to support the Head Beam Assembly. Place the Head Beam Assembly on top of item Safety Rail careful it does not slip and off and fall. With one person in the play set and the other steadying the A-Frame bolt the Head Beam Assembly to the play set as shown.

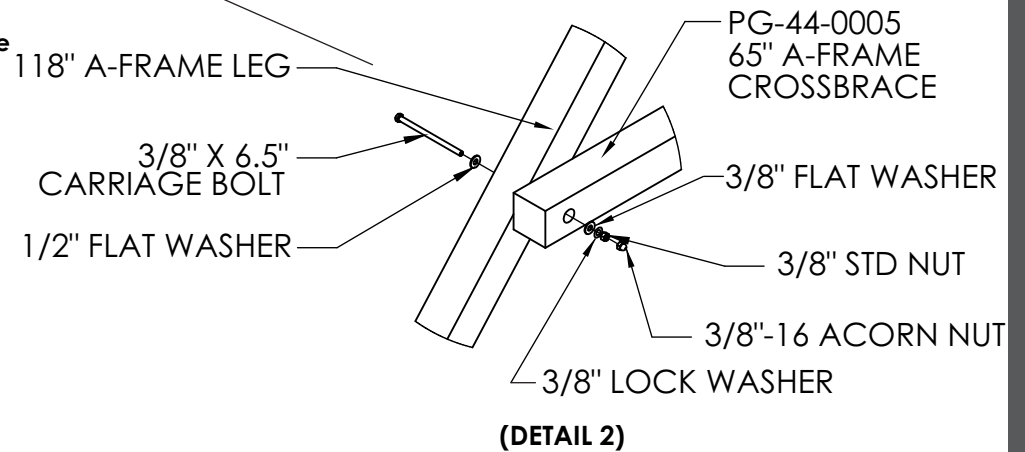
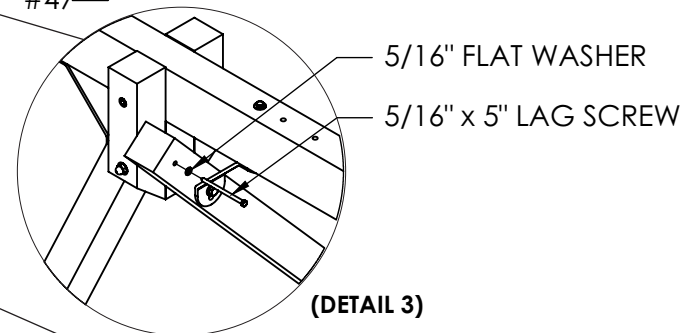
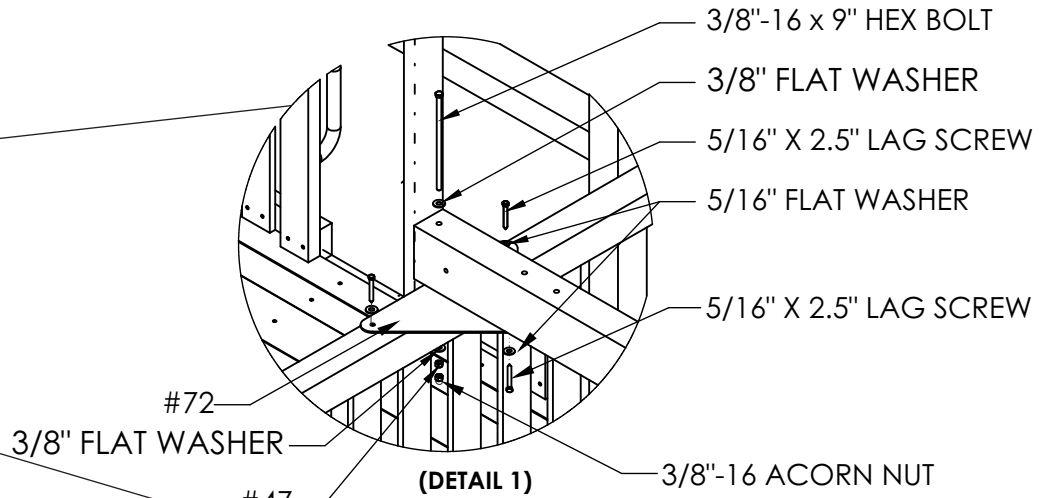
(SEE DETAIL 1)

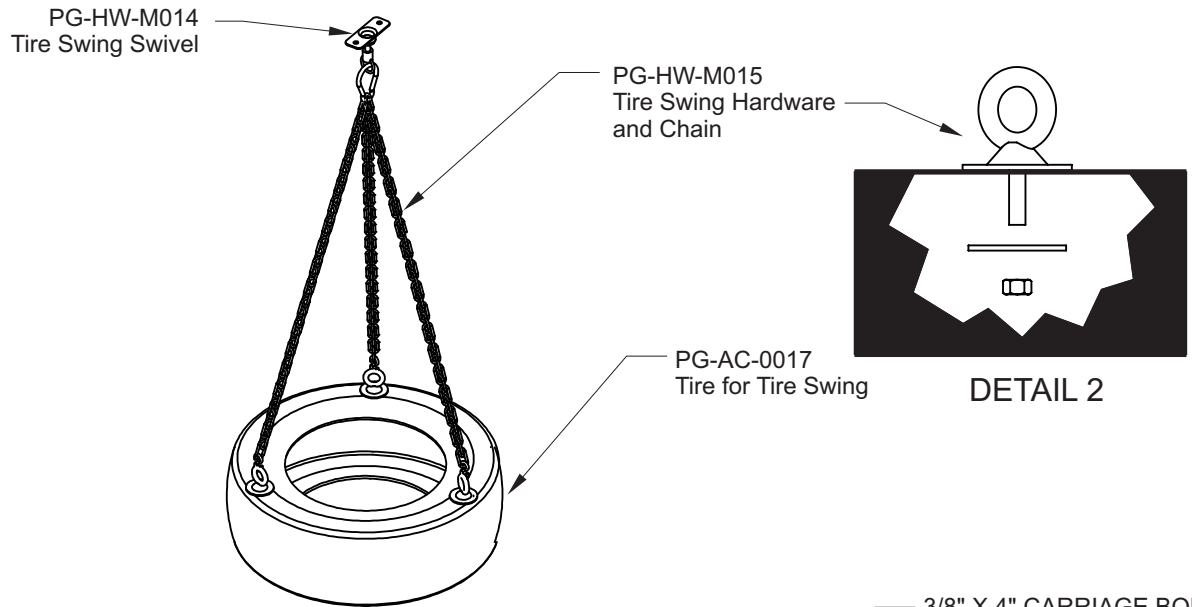
2. Place Cross Brace into position between A-Frame Legs as shown. Using a level determine and mark the location of the holes to be made in A-Frame Legs so that the holes to be made is centered on A-Frame Legs. Mark the location on one side and drill a 3/8" hole and attach using hardware shown.

(SEE DETAIL 2)

3. Attach A-Frame Legs to U-JOINT ASSEMBLY using hardware items as shown.

(SEE DETAIL 3)





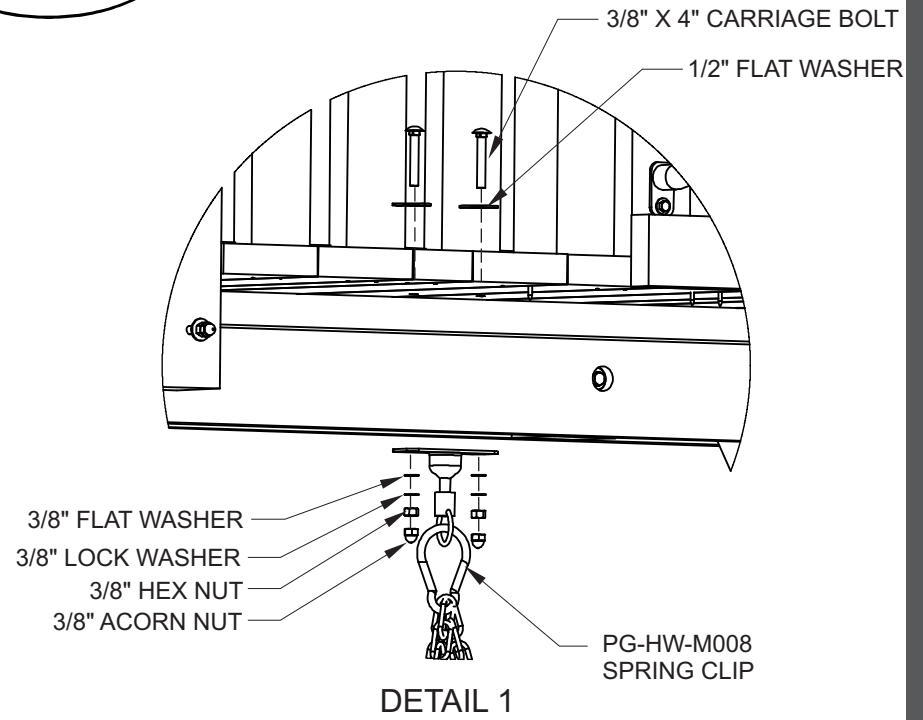
PARTS NEEDED

PG-AC-0017 TIRE (1)

HARDWARE NEEDED

5/16" FLAT WASHER (2)
 1/2" FLAT WASHER (2)
 5/16"-16 X 2.5" CARRIAGE BOLT (2)
 PG-HW-M009 TIRE CHAINS / EYE BOLTS / SWIVEL (1)
 5/16" STANDARD NUT (2)
 5/16" LOCK WASHER (2)
 5/16" ACORN NUT (2)

1. Using the holes drilled earlier in the Deck Boards attach Swivel to bottom of Deck Boards using as shown in Detail 1.
2. Attach Eye Bolts and Chains to Tire as shown in Detail 2.
3. Attach assembled Tire Swing and Chains to Swivel using SPRING CLIP as shown in Detail 1.



Consumer Information Sheet for Playground Surfacing Materials¹

The U.S. Consumer Product Safety Commission (CPSC) estimates that about 100,000 playground equipment-related injuries resulting from falls to the ground surface are treated annually in the U.S. hospital emergency rooms. Injuries involving this hazard pattern tend to be among the most serious of all playground injuries, and have the potential to be fatal, particularly when the injury is to the head.

The surface under and around playground equipment can be a major factor in determining the injury-causing potential of a fall. It is self evident that a fall onto a shock absorbing surface is less likely to cause a serious injury than a fall onto a hard surface. Playground equipment should never be placed on hard surfaces such as concrete or asphalt and while grass may appear to be acceptable it may quickly turn to hard packed earth in areas of high traffic. Shredded bark mulch, wood chips, fine sand or fine gravel are considered to be acceptable shock absorbing surfaces when installed and maintained at a sufficient depth under and around playground equipment.

The following table lists the maximum height from which a child would not be expected to sustain a life-threatening head injury in a fall onto four different loose-fill surfacing materials if they are installed and

maintained at depths of 6", 9", and 12". However, it should be recognized that all injuries due to falls cannot be prevented no matter what surfacing material is used.

It is recommended that a shock absorbing material should extend a minimum of 6' in all directions from the perimeter of stationary equipment such as climbers and slides. However, because children may deliberately jump from a moving swing, the shock absorbing material should extend in the front and rear of a swing a minimum distance of 2 times the height of the pivot point measured from a point directly beneath the pivot point supporting structure.

This information is intended to assist in comparing the relative shock-absorbing properties of various materials. No particular material is recommended over another. However, each material is only effective when properly maintained. Materials should be checked periodically and replenished to maintain correct depth as determined necessary for your equipment. The choice of a material depends on the type and height of the playground equipment, the availability of the material in your area, and its cost.

FALL HEIGHT IN FEET FROM WHICH A LIFE THREATENING HEAD INJURY WOULD NOT BE EXPECTED

TYPE OF MATERIAL	6" DEPTH	9" DEPTH	12" DEPTH
Double Shredded Bark Mulch	6'	10'	11'
Wood Chips	6'	7'	12'
Fine Sand	5'	5'	9'
Fine Gravel	6'	7'	10'

¹This information has been extracted from the CPSC publications "Playground Surfacing—Technical Information Guide" and "Handbook for Public Playground Safety." Copies of these reports can be obtained by sending a postcard to the Office of Public Affairs, U.S. Consumer Product Safety Commission, Washington, D.C. 20207. Or call the toll-free hotline: 1-800-638-2772.

ChildLife[®]

Playsets

Limited Two and Ten
Year Warranties

Subject to proper installation and normal residential use, Escalade Sports warrants, subject to the limitations stated below, to the original retail purchaser, all chain, seats, swing hangers, hardware, metal braces and accessories to be free from defects in material and workmanship for a period of two years from date of purchase. In addition, Escalade Sports warrants all ropes for a period of one year. Cracks in non-functional plastic components are not considered defects in materials and workmanship if they do not affect the functionality of the playset. Merchandise covered under this limited two-year warranty will, at our option, be repaired or replaced, excluding any freight or labor fees that may be required.

In addition, for a period of ten years, which the original purchaser owns the playset, Escalade Sports warrants, to the original retail purchaser, all wooden components against structural failure due to corrosion, wood rot, or insect infestation. **Seasonal checks and surface cracks, knotholes and knots, natural characteristics of all wooden play equipment, not resulting in structural failure, are not covered under this warranty.**

Components covered under this limited ten year warranty will be replaced free of charge excluding freight and labor fees.

Non-residential use of the playset is prohibited and voids the warranty as the playsets are designed for residential use only.

Escalade Sports reserves the right to examine photographs and/or physical evidence of merchandise claimed to be defective, and to recover said merchandise, prior to disposition of warranty claims. Merchandise returned to our factory for examination or recovery must be shipped freight prepaid, unless a Return Authorization Number is issued.

No warranty is offered on equipment subjected to abuse, negligence, improper installation, vandalism, acts of God, unauthorized alteration or attachment to equipment other than our own, or improper use, service or repair by customer or any third party. Escalade Sports assumes no responsibility for incidental or consequential damages which may arise from the purchase or use of our equipment. Please supervise your children's play activity and maintain your play equipment periodically.

THIS WARRANTY IS EXPRESSLY IN LIEU OF ALL OTHER WARRANTIES, EXPRESSED OR IMPLIED, INCLUDING WARRANTIES OF MERCHANTABILITY OR FITNESS FOR USE. OASIS PLAYSETS DOES NOT ASSUME, OR AUTHORIZE ANY PERSON TO ASSUME FOR US, ANY OTHER LIABILITY IN CONNECTION WITH THE SALE OF OUR PRODUCTS.

For warranty service, contact:

**Childlife Playsets
Escalade Sports
P.O. Box 889
Evansville, IN 47706
1-800-GO-SWING**

Or E-Mail us at: playgroundcs@escaladesports.com