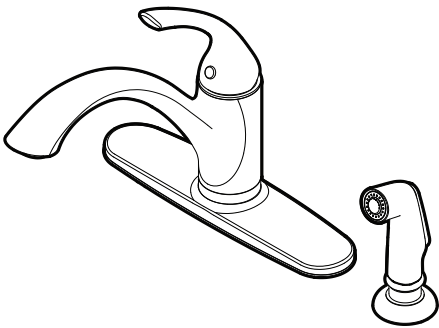


INSTALLATION INSTRUCTIONS

Finale Kitchen Faucet Single Control with Side Spray

85924 Polished Chrome

85925 Brushed Nickel

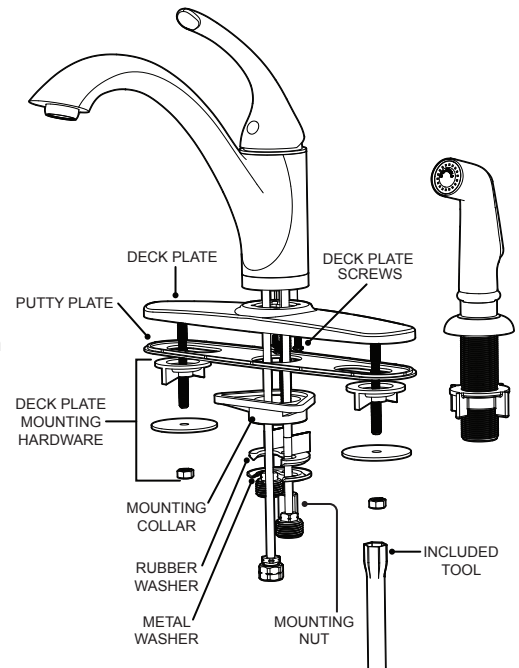


SPECIFICATIONS

- 35mm Ceramic Disc with Hot Temperature Limit Adjustment Ring.
- Brass Body with Copper Supplies
- Brass Supply Connection Adapters with 1/2" IPS Threads.
- Polished Chrome Plated Metal Handle.
- Single Control Lever Handle.
- Requires less than 5 lb force to operate Handle.
- Temperature Adjustment 90° Full Cold to Full Hot.
- 1.8 GPM (6.8 L/min) Aerator.

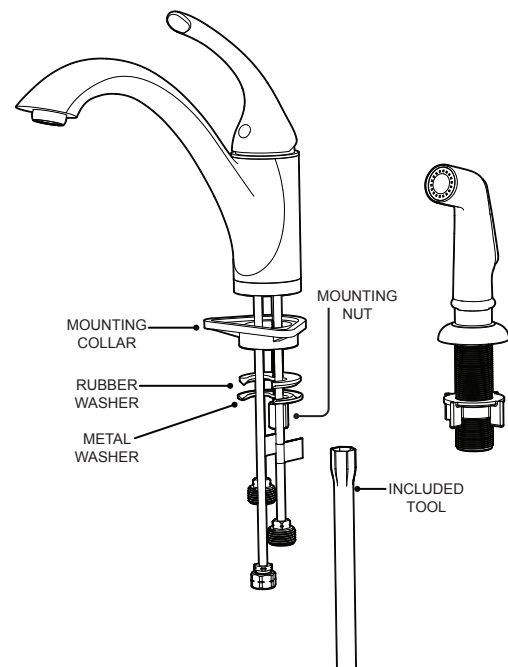
3 HOLE INSTALLATION

- 1 Assemble Deck Plate to Faucet with the Deck Plate Screws.
 - 2 Assemble Putty Plate to Faucet
 - 3 Assemble Deck Plate Studs to Deck Plate.
 - 4 Position Faucet on sink
 - 5 From underside of sink, assemble Mounting Collar, Rubber Washer, and Metal Washer. Secure into position with Mounting Nut using the Included Tool.
 - 6 Assemble Deck Plate Mounting Hardware to the Deck Plate Studs. Either use the Plastic Wing Nuts, or the Metal Washer and Mounting Nut. If using the Metal Washer and Mounting Nut, use the Included Tool to secure into position.
 - 7 Position Side Spray Collar on sink. Secure into position with the included Mounting Nut.
 - 8 Position Side Spray and Hose through Side Spray Collar.
 - 9 Assemble Water Supply Lines to Faucet. Faucet Inlets are 1/2" MIP and are clearly marked for Hot and Cold connections.
- CAUTION: Use Wrench or Pliers to hold Faucet Inlet Adapters when tightening Water Supply Line Nuts to prevent twisting Copper Tubing or damaging Solder Joints.**
- 10 Assemble Side Spray Hose to remaining connection on Faucet.
 - 11 Run water through Faucet while inspecting all connections for possible leaks.



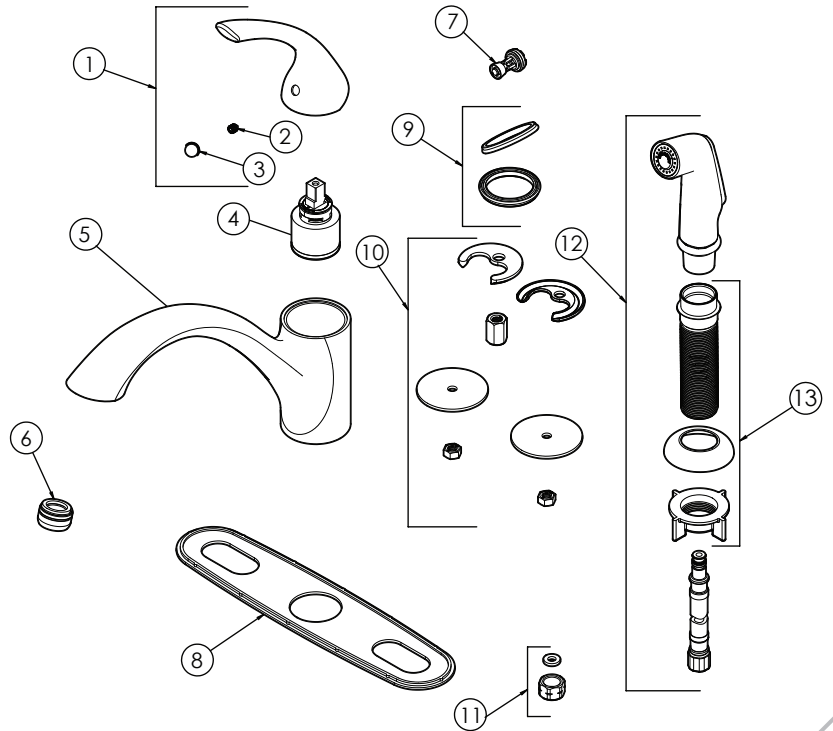
SINGLE HOLE INSTALLATION

- 1 Assemble Deck Plate Studs to Deck Plate.
 - 2 Position Faucet on sink
 - 3 From underside of sink, assemble Mounting Collar, Rubber Washer, and Metal Washer. Secure into position with Mounting Nut using the Included Tool.
 - 4 Position Side Spray Collar on sink. Secure into position with the included Mounting Nut.
 - 5 Position Side Spray and Hose through Side Spray Collar.
 - 6 Assemble Water Supply Lines to Faucet. Faucet Inlets are 1/2" MIP and are clearly marked for Hot and Cold connections.
- CAUTION: Use Wrench or Pliers to hold Faucet Inlet Adapters when tightening Water Supply Line Nuts to prevent twisting Copper Tubing or damaging Solder Joints.**
- 7 Assemble Side Spray Hose to remaining connection on Faucet.
 - 8 Run water through Faucet while inspecting all connections for possible leaks.



85924 / 85925 REPAIR PARTS

ITEM NO.	PART NO.	DESCRIPTION
1	85182	LEVER HANDLE - PC
	8518204	LEVER HANDLE - BN
2	85101	HANDLE SET SCREW
3	85102	INDEX BUTTON
4	85107W	CARTRIDGE ASSEMBLY
5	85121	FAUCET SPOUT - PC
	8512104	FAUCET SPOUT - BN
6	36071	15/16" MALE AERATOR 1.8 GPM - PC
	2589704	15/16" MALE AERATOR 1.8 GPM - BN
7	85110W	KITCHEN SPRAY DIVERTER
8	85332	DECK PLATE GASKET
9	85122W	PAIR OF SPOUT SEALS
10	85126	MOUNTING HARDWARE BAG GROUP
11	52551	1/4" SHANK CAP
	42691	SPRAY HOSE ASSEMBLY - PC
12	42691BN	SPRAY HOSE ASSEMBLY - BN
	42267	PLASTIC HOSE HOLDER - PC
13	42266	PLASTIC HOSE HOLDER - BN


85924 / 85925 ROUGH IN DIAGRAM
COMPLIANCE

ASME A112.18.1 / CSA B125.1
 cUPC certified
 NSF 61/372
 ADA compliant 

CONNECTIONS

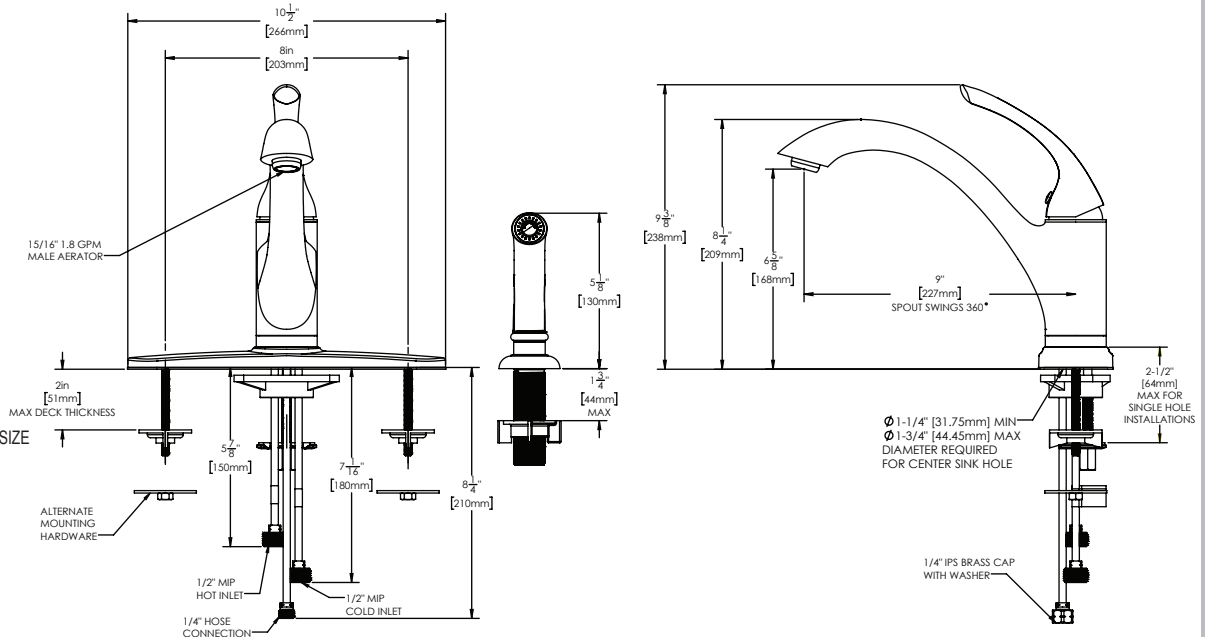
1/2" IPS Inlets

FLOW

1.8 GPM (6.8 L/min)

MOUNTING SURFACE

2" MAX DECK THICKNESS
 Ø1-1/4" MIN TO Ø1-3/4" MAX HOLE SIZE
 HOLES TO BE 4" ON CENTER


NEED HELP?

For additional assistance or service please contact:



800-944-9292



www.wolverinebrass.com

92-85940-03



PRODUCT WARRANTY

With the exception of items listed below, this product has a limited warranty against defects in materials or workmanship for a period of one year from the date of installation.

Exceptions:

- 1.) Faucet stem cartridges have a limited warranty for a period of 100 years from date of manufacture.
- 2.) Product finishes have a limited warranty for a period of 100 years from the date of installation excluding oil rubbed bronze finishes. Failure to follow the cleaning instructions listed below voids all finish warranty. Damage due to accidents or installation is not warranted. This warranty covers replacement of cartridges and finish only and does not include labor charges and/or damage incurred in installation. Finish warranty is not covered if finish is exposed to extreme use of cleaners containing abrasives, alcohol, extreme cleaning, or chemical use, or damage due to abuse or neglect. **Please see cleaning instructions provided with each faucet. This warranty excludes all industrial, commercial, and business usage of faucets and only pertains to residential use. Faucets used for other than residential use are covered by a 1-year limited warranty from the date of purchase.

CLEANING INSTRUCTIONS

USE ONLY A CLEAN, SOFT CLOTH, WATER, AND MILD HAND SOAP TO CLEAN UNIT.

WARNING

Do not use abrasive cleaners, chemicals or abrasive cleaning pads to clean fixture. A very hard protective coating has been applied to this product to maintain its appearance, but this product could be damaged with improper cleaning.

CALIFORNIA PROPOSITION 65



CALIFORNIA PROPOSITION 65:

WARNING: This product can expose you to chemicals including lead, which is known to the State of California to cause cancer and birth defects or other reproductive harm. For more information go to www.P65Warnings.ca.gov.

Wash hands after installation, repair, or removal of this product.

WARNING!

**CONNECTION TO AND USE OF ACCESSORIES THAT CONTROL THE FLOW OF WATER (INCLUDING PORTABLE DISHWASHERS) TO THIS FAUCET MAY CAUSE RUPTURE DUE TO BACK PRESSURE SURGES. SUCH USE IS NOT RECOMMENDED AND VOIDS ALL WARRANTIES. WOLVERINE BRASS RECOMMENDS THE USE OF A FAUCET FEATURING A CAST BRASS SPOUT WHEN USING SUCH ACCESSORIES.
(WB # 52430 - LESS SPRAY UNITS OR, WB # 52431 WITH SPRAY UNITS).**

NEED HELP?

For additional assistance or service please contact:



800-944-9292



www.wolverinebrass.com