



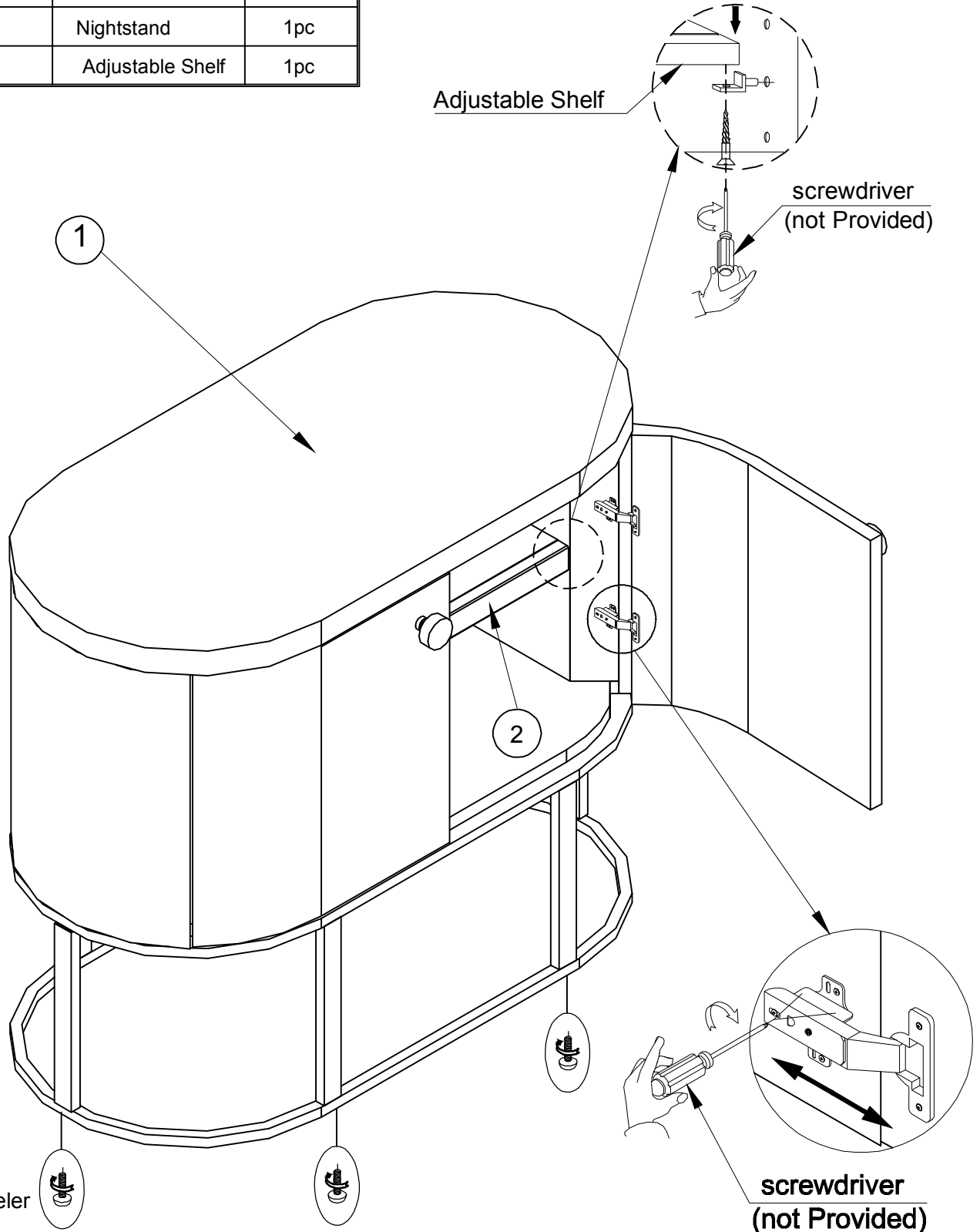
ASSEMBLY INSTRUCTION

Item: 6850-90317-80 Oval Nightstand

Thank you for purchasing this quality product. Be sure to unpack carefully looking for small parts which may have come loose during shipment.
Read all instruction and study the drawing carefully before starting the assembly process.

PART LIST

NO.	DRAWING	DESCRIPTION	QTY
①		Nightstand	1pc
②		Adjustable Shelf	1pc



Adjustable leveler