

ROHL

The Experience of Authentic Luxury™

www.rohlhome.com



MODERN LUX SIDE LEVER BAR FAUCET

ROHL Pull-Out Collection

R7663-2

FEATURES

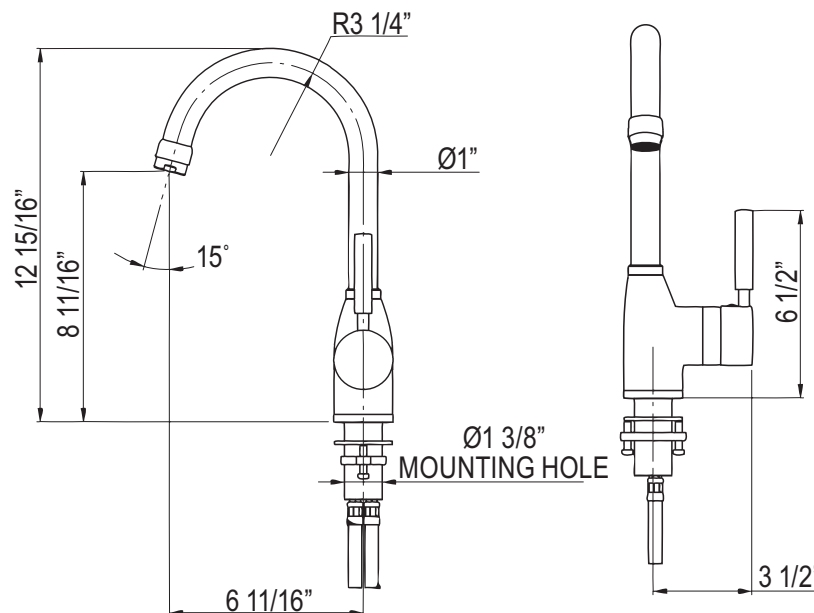
- Dissimilar ceramic discs for smooth operation and long life
- Ceramic disc cartridge
- Anti-scald device
- 1 3/8" hole cutout
- 2 1/4" max. installation depth on deck
- Bar version to R7923, LS64L
- 6 11/16" reach swivel spout
- Lever allen key size 3/32"
- Cartridge # 10741
- 1.8 GPM

COLORS/FINISHES

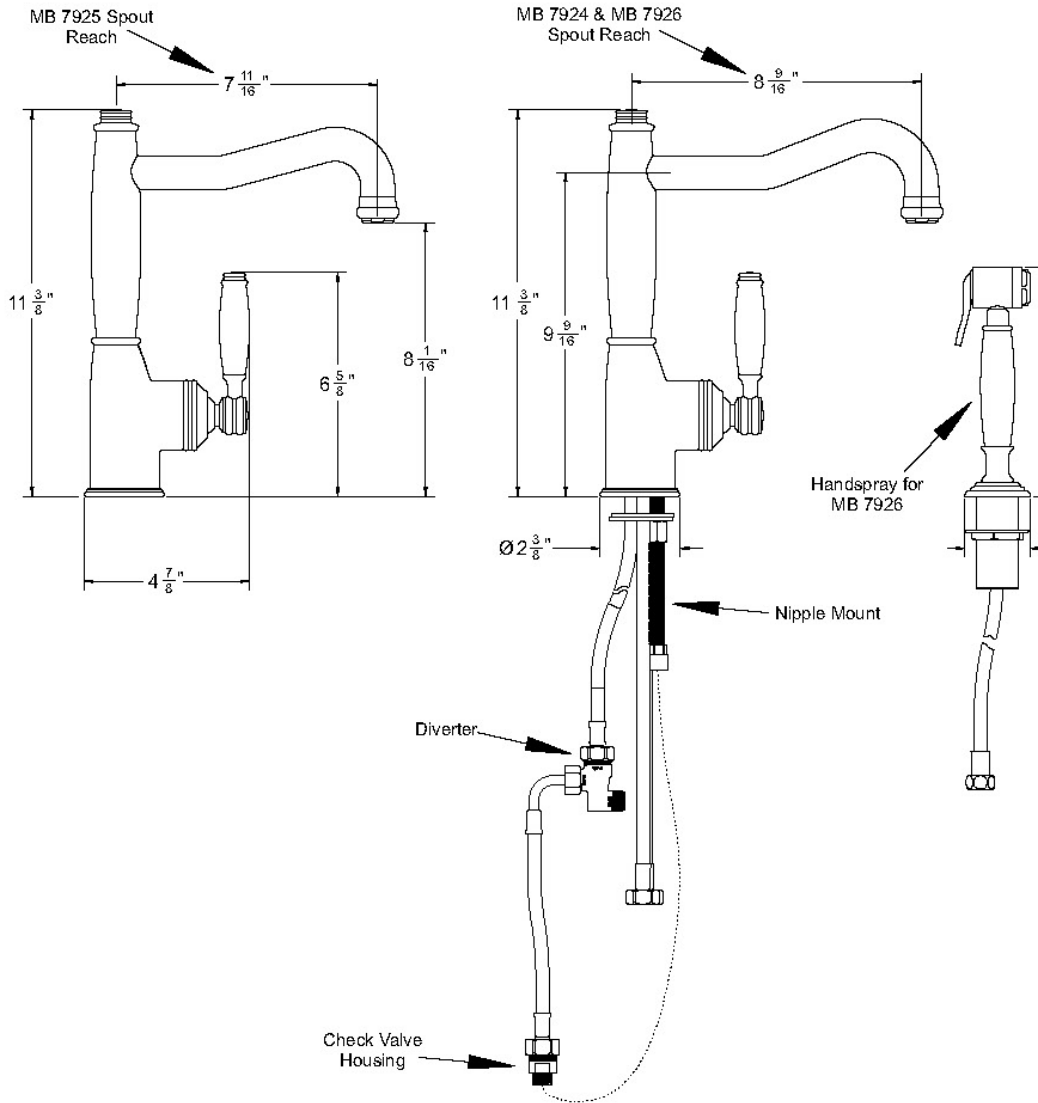
- Polished Chrome
- Satin Nickel

WARRANTY

- Limited Lifetime



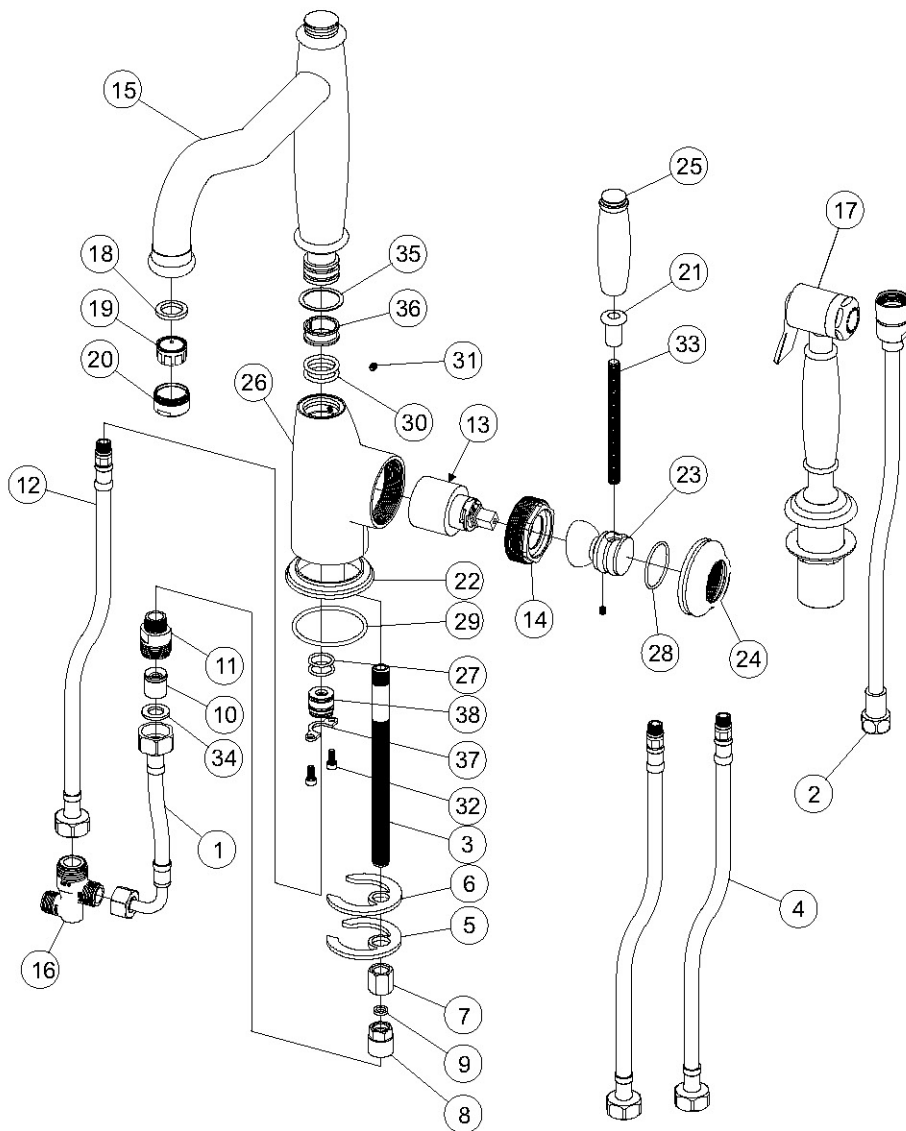
R7663 Spare parts



Installation Instructions

SPECIFICATIONS DETAILS:

- Metal lever handle only
- Insulated brass sidespray
- MB 7925 reach swivel spout = 7 11/16"
- MB 7924 & MB 7926 reach swivel spout = 8 9/16"
- Ceramic disc cartridge
- 1 3/8" hole cutout
- 3/8" compression hose connections supplied
- 2 1/4" max. installation depth on deck



Installation Instructions

ITEM NO.	PART NO.	DESCRIPTION	QTY.
1	10563	HOSE, F1/2" TO 90BEND 3/8"G X 8"L	1
2	10564	HOSE, 1/2"NPSM TO M15 X 16"L	1
3	10664	NIPPLE, ADAPTER M12X1.0 - M12X1.75	1
4	10665	HOSE, CONNECTOR, M8 X 1.0 X 3/8"L, 17"L	1
5	10674	WASHER, MOUNTING	1
6	10675	WASHER, RUBBER	1
7	10676	NUT, MOUNTING	1
8	10677	ADAPTER, NUT	1
9	10679	FIBER WASHER, .230"ID X .380"OD X .080"THK	1
10	10680	CHECK VALVE	1
11	10681	ADAPTER, CHECK VAVLE NIPPLE	1
12	10720	HOSE, M10 TO 1/2"NPSM	1
13	10741	CARTRIDGE, G35 HYDROPLAST STANDARD	1
14	10763	NUT, RETAINING	1
15	2-066/00	SPOUT ASSY, MICHAEL BERMAN GOTHAM KITCHEN	1
16	3-037	DIVERTER SIDESPRAY VALVE COMPLETE, AMFAG	1
17	3-072/00	SIDESPRAY ASSEMBLY	1
18	30030	RUBBER SEAL WASHER AERATOR	1
19	30031	AERATOR DROP-IN INSERT 1.5 GPM	1
20	30032/00	AERATOR HOUSING 15/16" MALE HOUSING	1
21	30072/00	LEVER END COUNTRY	1
22	30104/00	ESCUTCHEON, COUNTRY SIDE	1
23	30108/00	HANDLE HUB	1
24	30109/00	NUT COVER	1
25	30110/00	HANDLE BODY	1
26	30122/00	BODY, SIDE LEVER FOR SIDESPRAY	1
27	90015	O-RING, 9/16"ID X 1/16"THK, AS-568-015	2
28	90025	O-RING, 1-3/16"ID X 1/16"THK, AS-568-025	1
29	90069	O-RING, 1-13/16"ID X 3/32"THK, AS-568-133	1
30	90116	O-RING, 3/4"ID X 3/32"THK, AS-568-116	2
31	92008	SET SCREW, CUP POINT 8-32UNC 3/16"L	2
32	92013	SCREW, SOCKET HD CAP 8-32 THREAD, 3/8" L	2
33	92058	THREADED ROD, 5/16"-18 X 3-3/4"L	1
34	92067	FIBER WASHER, .430"ID X .730"OD X .080"THK	1
35	92072	WEAR WASHER	1
36	92073	SLEEVE WASHER BEARING	1
37	92079	PLUG RETAINER	1
38	92080	PLUG ADAPTOR	1

Installation Instructions

IMPORTANT: WE RECOMMEND THE USE OF A LICENSED PLUMBER TO INSTALL THIS PRODUCT. PLEASE READ AND UNDERSTAND THE PROVIDED INSTALLATION INFORMATION BEFORE PROCEEDING.

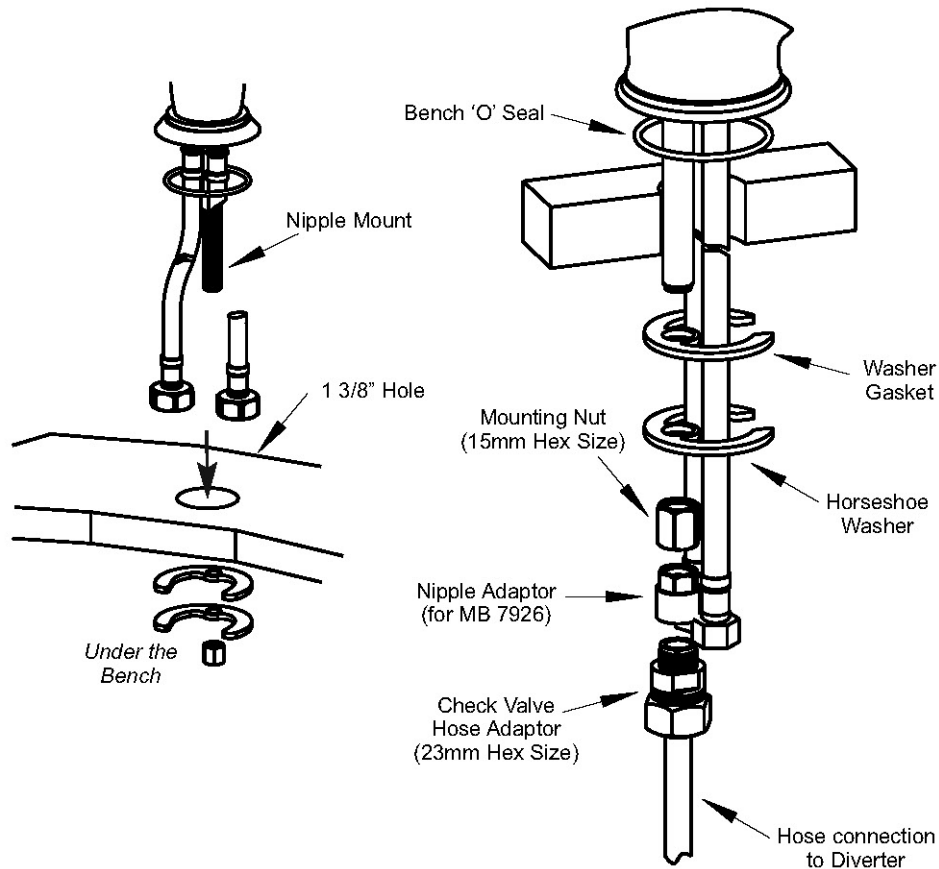
FITTING INSTRUCTIONS:

Recommended through hole 1 3/8" in the desired position.

1. Flush out all pipe work to ensure it is free from debris.

To fit the mounting hardware:

2. Remove faucet from packaging. Unscrew mounting nut and remove the horseshoe washer & gasket from threaded nipple mount.
3. Ensure 'O' ring is sitting in groove at base of the escutcheon and lower faucet through mounting hole.
4. From underneath the bench, slide the washer gasket, horseshoe washer and mounting nut over connection pipes and tighten onto threaded nipple mount.

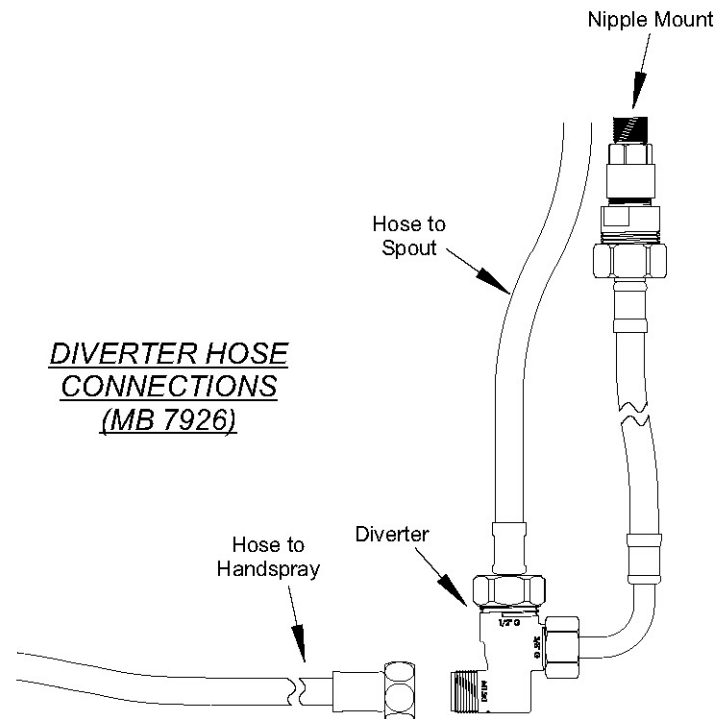


Installation Instructions

5. Connect the inlet hoses to the water supply, (hot inlet indicated with a red tape indicator & cold inlet indicated with a blue tape indicator).

To fit the side spray (steps are for MB7926):

6. After connecting the inlet hoses to the water supply, ensure that the hose supply lines do not obstruct the travel of the sprayer hose.
7. Connect the nipple adaptor along with check valve adaptor to the bottom of the nipple mount.
8. Then, connect the diverter hose to the nipple adaptor. Ensure the adaptor containing the non-return valve is fitted, and make sure the sealing fiber washer is in place by turning the nut on the check valve adaptor rather than the hose itself.
9. Remove handset from packaging. Mount side spray into its desired location.
Note: Recommended through hole 1 3/8".
10. Ensuring the rubber washer is in place and tighten hose onto handset.



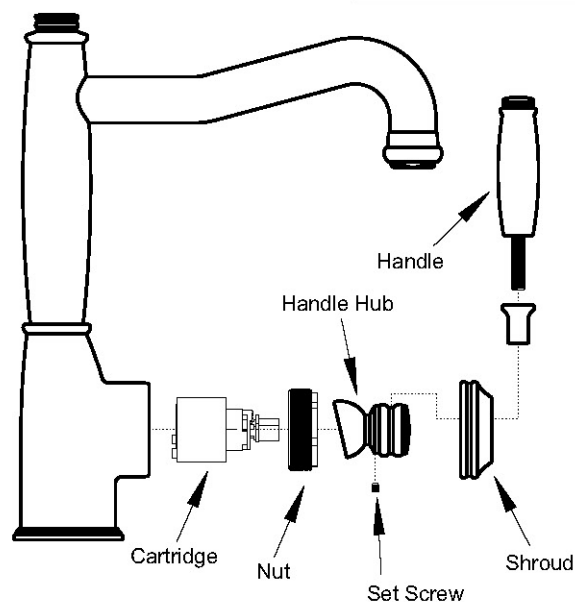
Installation Instructions

9. Check travel of hand spray to ensure hose is free from entanglement.
10. Turn on water supply and check for leaks. Test operation of sprayer by pressing the lever on the side spray.

REPLACING THE CARTRIDGE:

1. Unfasten handle from handle hub.
2. Unscrew shroud from faucet body.
3. Loosen set screw from the access hole located at the bottom of the handle hub.
4. Undo the nut from faucet body to access cartridge.
5. Remove cartridge from its seat area and replace with new cartridge.
6. Reverse steps for reinstallation.

CARTRIDGE REPLACEMENT EXPLODED VIEW



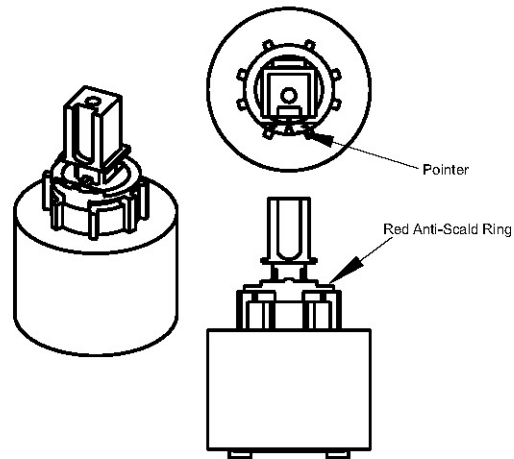
Installation Instructions

ADJUSTMENTS

ANTI-SCALD RING: An anti-scald ring is fitted to this faucet to limit the maximum movement of the handle when turned to the "HOT" position.

Ex factory the cartridge is set to the maximum HOT water flow.

1. Remove handle by loosening set screw through access hole under handle hub with Hexagon key provided. Unfasten the handle from hub then remove the shroud to access up to the cartridge nut.
2. Lift the red anti-scald ring sufficiently to disengage. Turn counter-clockwise and replace until the desired maximum temperature is obtained. Each notch on the ring gives a temperature change of approximately 3.5 °F.
3. Replace components in reverse order.



CARE AND MAINTENANCE:

WE RECOMMEND OCCASIONAL CLEANING WITH WARM SOAPY WATER FOLLOWED BY POLISHING WITH A SOFT CLOTH TO KEEP THE PLATED FINISH IN GOOD CONDITION. DO NOT USE ABRASIVE LIQUIDS, POWDERS, OR PADS TO CLEAN THE PRODUCT. YOU WILL DAMAGE THE FINISH AND VOID THE WARRANTY.

GUARANTEE TO THE CONSUMER

WARRANTY

Rohl LLC warrants this product to be free from defects in materials or workmanship for as long as the original consumer purchaser owns their home.

Rohl LLC will provide free of charge, at its option, replacement part(s) or product (or comparable alternative product) to replace those which have proven defective in materials or workmanship. We will not assume liability for labor expended or damage accruing from the use of material purchased from us. If material is defective, the limit of damage is the price of the defective material.

Proof of purchase (original sales receipt) from the original consumer purchaser must be made available to Rohl LLC for all warranty claims. The warranty is not transferable and is extended solely to the original purchaser of the product.

WARRANTY EXCLUSION

This warranty is for normal domestic use only and excludes defect or injury caused to or resulting from misuse, abuse or neglect, accidental damage or improper installation. The lifetime limited warranty does not apply to replacement of components where damage is caused by normal wear and tear.

WARRANTY WILL BE INVALID IF:

- A. The product has not been correctly installed (whether by a plumber, contractor, service provider or member of the purchaser's household) in accordance with the manufacturer's instructions.
- B. The surface finish of the product has been damaged by use of unsuitable cleaning agents or improper materials, i.e. damage by agents containing acidic, corrosive, abrasive or alcohol-based substances or through scouring the surface by abrasive cloths.
- C. Damage has occurred to component parts due to foreign materials in the water supply (e.g. stones, metal shavings). All water lines must be flushed clear of all debris prior to installing the product. It is strongly recommended that in areas where foreign materials may be present in the water supply, an inline filter be fitted on both the Hot and Cold inlets. This will ensure your warranty remains valid.
- D. The product has been exposed to excessive high water temperature (above 80° Celsius or 175° Fahrenheit).

PARTS ONLY WARRANTY

This warranty does not cover labor charges incurred and / or damage sustained in installation, repair or replacement, nor incidental or consequential damages.