

Seat shall be Comfort™ Seats

Model Number C3B2E1-18

Decorative Finish and Hinge Toilet Seat

Elongated Closed Front with Cover

Category

RESIDENTIAL

Features

- Dark brown oak laminated MDF construction
- Sealed with polyurethane
- Non-corrosive mounting hardware
- Four-color coordinated bumpers

Seat Color/Finish

Specify Dark Brown Oak

Hinge Color/Finish

Specify hinges polished brass, brushed nickel or chrome

Product Specifications

Hinge Design: Polished brass, brushed nickel, chrome

Ring Thickness: 1"

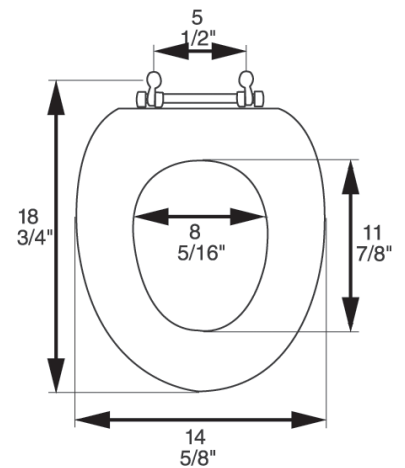
Ring Thickness with Bumper: 1 3/8"

Height of Seat with Cover: 2 1/2"

Size: ANSI Standard Toilet

Additional Information

Comfort™ Seats solid wood seat are crafted of specially selected hard wood and MDF. Our exclusive, durable finish prevents warping and cracking.



Polished Brass



Brushed Nickel



Chrome

Note: No two seats are alike. Seats manufactured from natural woods may vary in color and grain arrangement due to the acceptance of stain and tree selection.