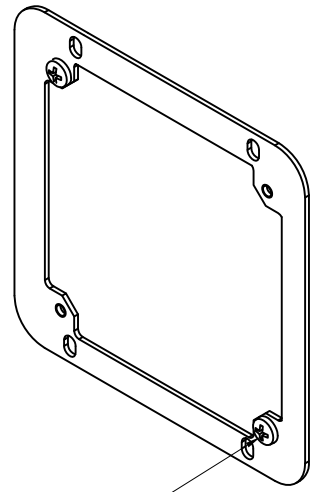
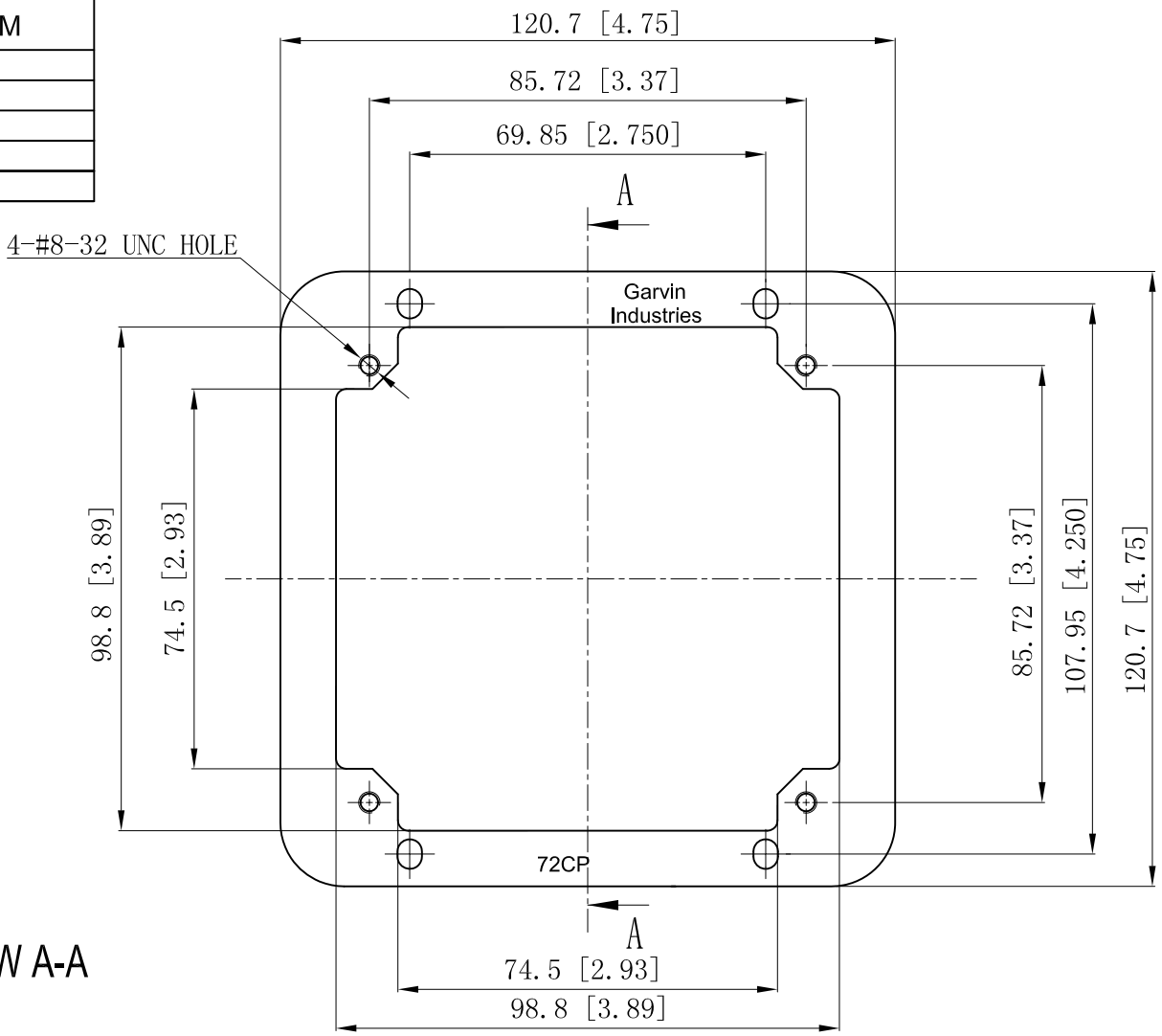


SIDES	BOTTOM
2 PCS #8-32×1/2 Screws Installed	
Material: Steel-0.0625"-G60 Galvanized	



#8-32, × 2

CUTAWAY VIEW A-A

This data sheet is for reference only .GARVIN INDUSTRIES reserves the right to make changes to the design without prior notice.

DESCRIPTION
TRADE REFERENCE TERMS

STANDARD PACKING	<h1 style="text-align: center;">GARVIN INDUSTRIES</h1>		
PCS			
	TITLE	4-11/16" SQUARE BOX COVERS	
	SIZE	DWG NO.	REV
	A4	72CP	
	DATA SHEET		
	www.garvinindustries.com		